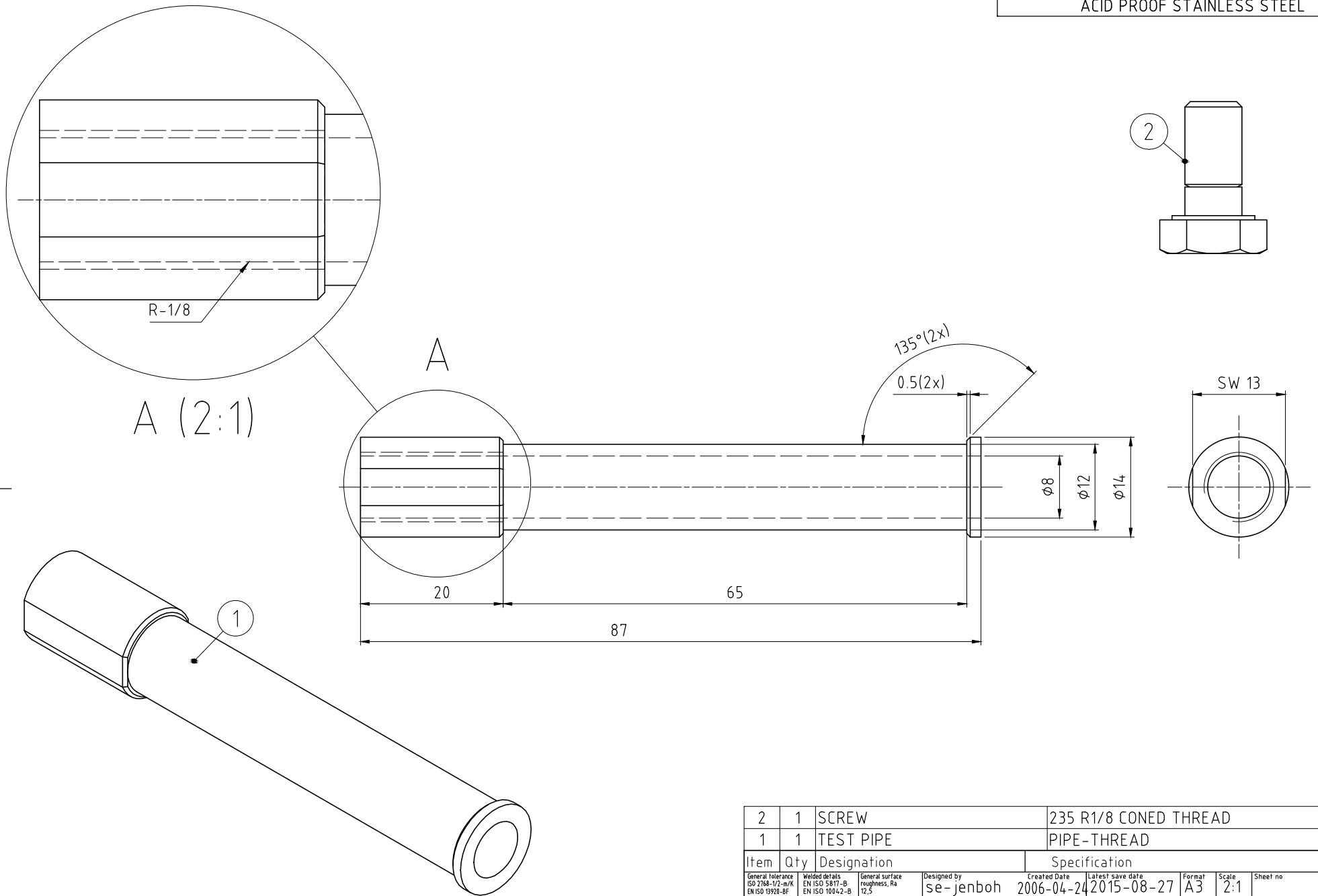


ACID PROOF STAINLESS STEEL



烙克塞克保留所有权利。未经授权严禁复制，
使用以及向第三方泄露。

All rights reserved. Unauthorized reproduction, use
or disclosure to third parties is strictly forbidden.

2	1	SCREW	235 R1/8 CONED THREAD	
1	1	TEST PIPE	PIPE-THREAD	
Item	Qty	Designation	Specification	Net Weight
General Tolerance		Welded details		General surface
ISO 2768-1/2-m/K		EN ISO 5817-B		roughness, Ra
EN ISO 13920-BF		EN ISO 10042-B		12.5
Designed by		Created Date		Latest save date
se-jenboh		2006-04-24		2015-08-27
Format		Scale		Sheet no
A3		2:1		
Title				Projection
TEST PIPE				method
PIPE ASSEMBLY				⊕
Restricted due to				Rev
Information				A
Drawing number			S1009240	

A		2015-08-27	se-jenboh
Rev	Type of revision	Date	Sign