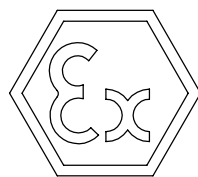
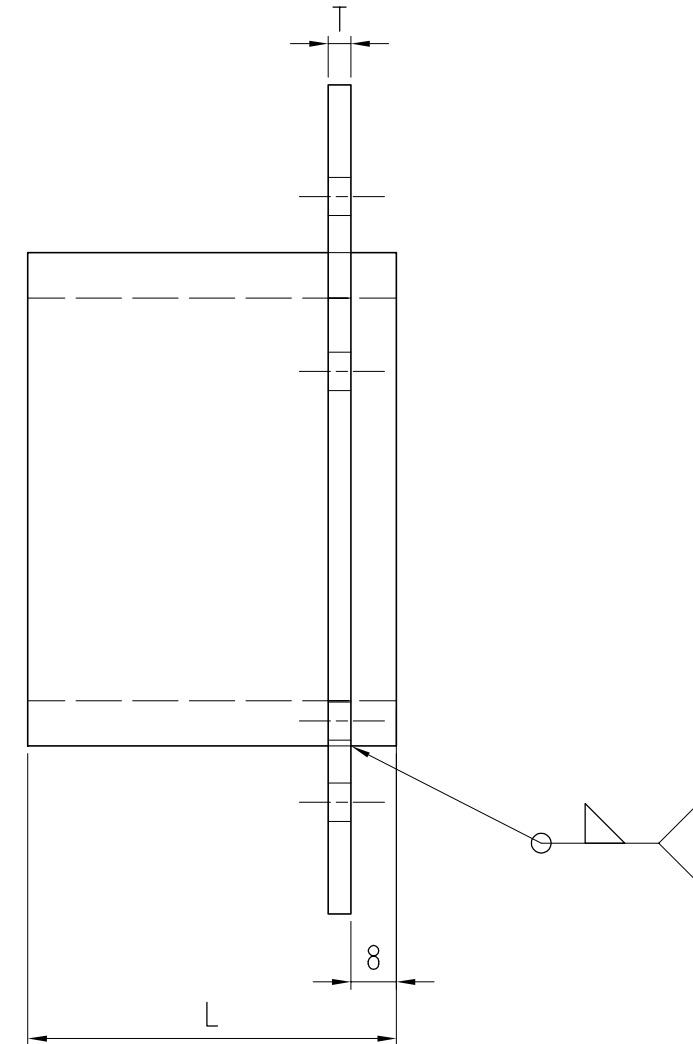
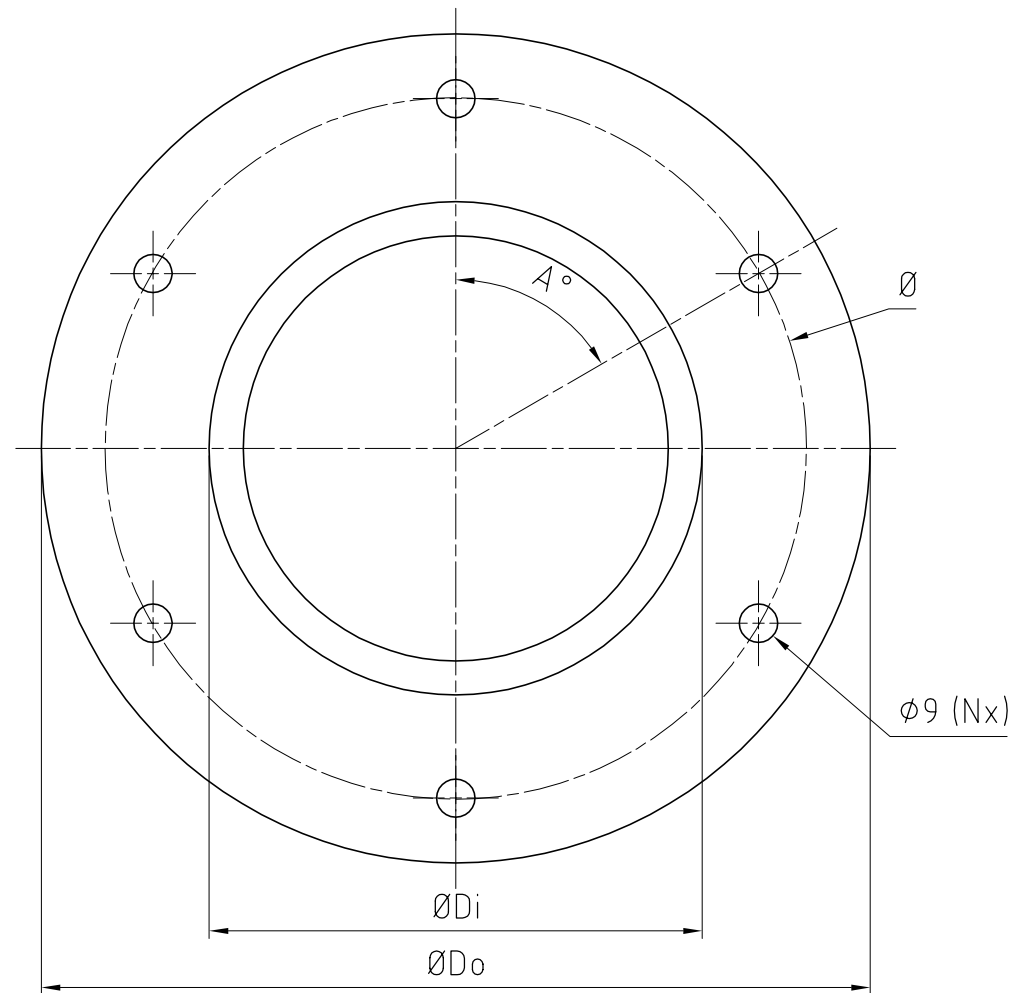


| TYPE | Di (mm) | Do (mm) | A° | Ø mm | N (x) | T (mm) | L (mm) |
|-----------|---------|---------|----|------|-------|--------|--------|
| SLFRS 23 | 33 | 92 | 90 | 68 | 4 | 3 | 35 |
| SLFRS 25 | 35 | 96 | 90 | 72 | 4 | 3 | 35 |
| SLFRS 31 | 41 | 102 | 90 | 72 | 4 | 3 | 35 |
| SLFRS 43 | 53 | 110 | 90 | 80 | 4 | 3 | 65 |
| SLFRS 50 | 64 | 140 | 90 | 110 | 4 | 4 | 65 |
| SLFRS 68 | 84 | 155 | 90 | 125 | 4 | 4 | 65 |
| SLFRS 75 | 90 | 165 | 90 | 135 | 4 | 4 | 65 |
| SLFRS 100 | 115 | 195 | 60 | 165 | 6 | 4 | 65 |
| SLFRS 125 | 141 | 213 | 60 | 183 | 6 | 4 | 65 |
| SLFRS 127 | 141 | 213 | 60 | 183 | 6 | 4 | 65 |
| SLFRS 150 | 165 | 236 | 60 | 206 | 6 | 4 | 65 |

| MATERIAL AND SURFACE TREATMENT | | | |
|--------------------------------|-------------------------------------------|-----------------|--------------------|
| SHARP EDGES BROKEN | | | |
| - | ST 35 | S235G2T | - |
| - | ST 52-3N | S355J2G3 | - |
| 2 | PRIMED, BLACK ACC. TO S1005244 | | |
| 1 | HOT DIP GALVANIZED ACC. TO EN ISO 1461 | | |
| E | SS 2353 | X2CrNiMo18-14-3 | 1.4435 AISI 316L |



We reserve all rights in this document and in the information contained therein. Reproduction, use or disclosure to third parties without express authority is strictly forbidden. ©ROXTEC INTERNATIONAL AB

| Rev | Type of revision | Date | Sign |
|-----|------------------|------|------|
| - | - | | |

| Item | Qty | Designation | Specification | | | | Net Weight |
|--------------------------------------------------------------------------------------------------|-----|--------------------------------------------------------------------------------------------------------|--------------------|--------------------------------------|--------------------------------------------------|---------------------------------------|----------------|
| ROXTEC INTERNATIONAL AB BOX 540 S-371 23 Karlskrona TEL: +46 455 366700 FAX: +46 455 82012 | | Designed by AN KARLSSON Checked by JE BOHLIN Approved by JE BOHLIN | Date 2006-01-18 | General tolerance ISO 2768-1 m | Welded details SS-EN 25 817 SS-EN 30 042 C | General surface roughness, Ra - | TotWeight - |
| | | Restricted due to INFORMATION DRAWING | Format A3 | Title SLFRS EX | Projection method | | Rev - |
| | | | Scale | SLFRS 23- SLFRS 150 | | Drawing number S1008814 | |

