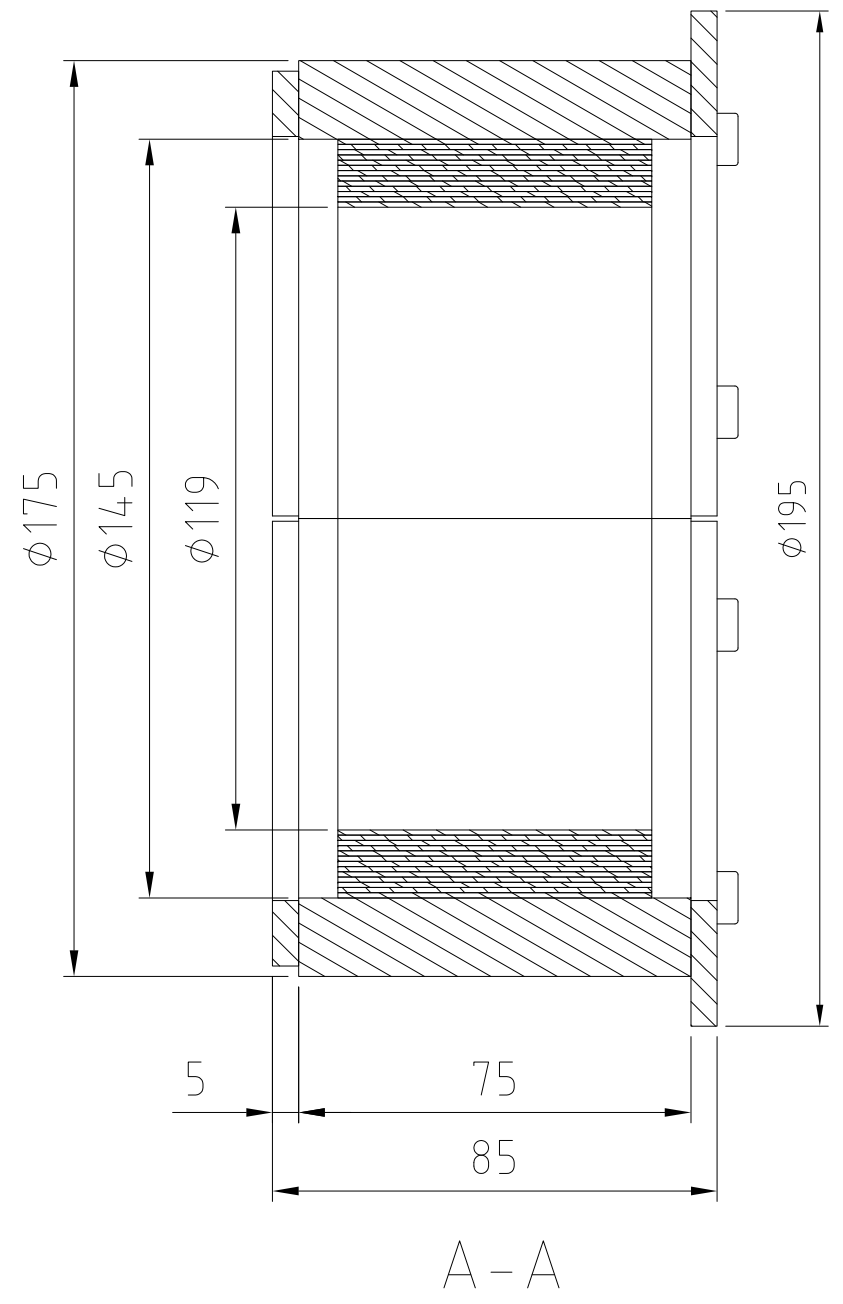
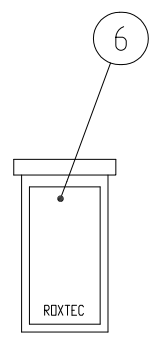
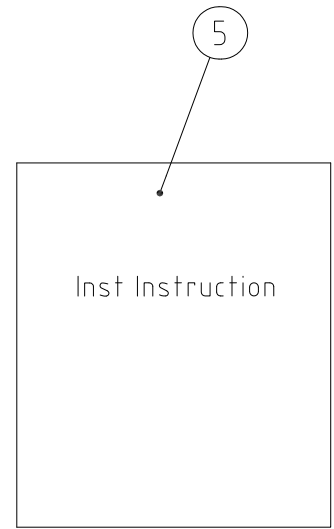
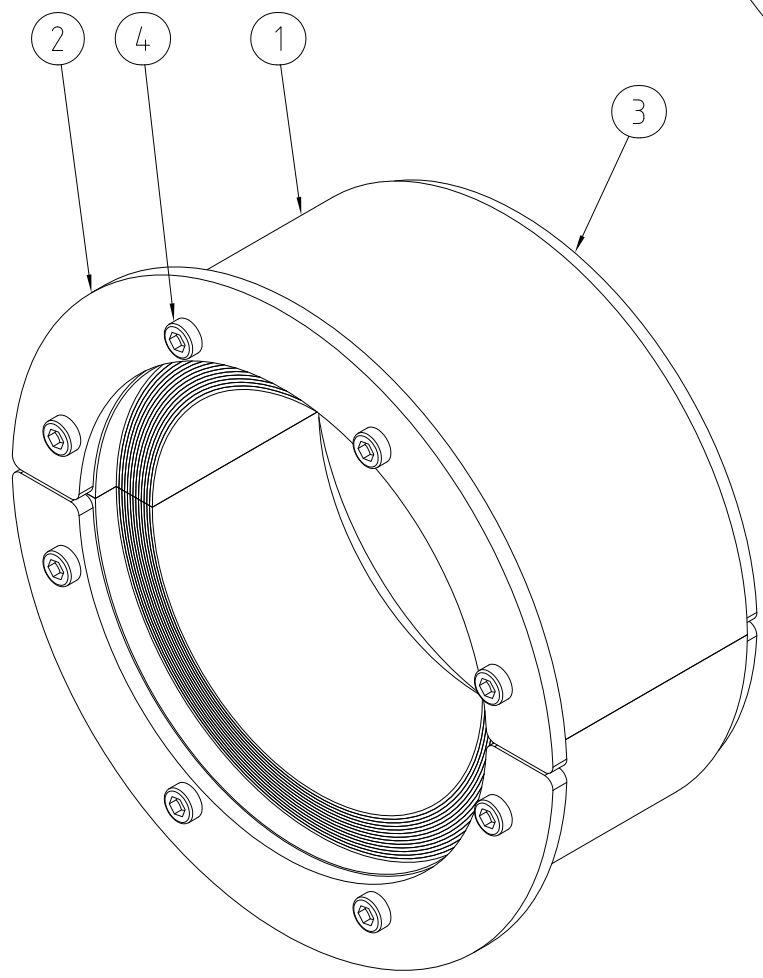
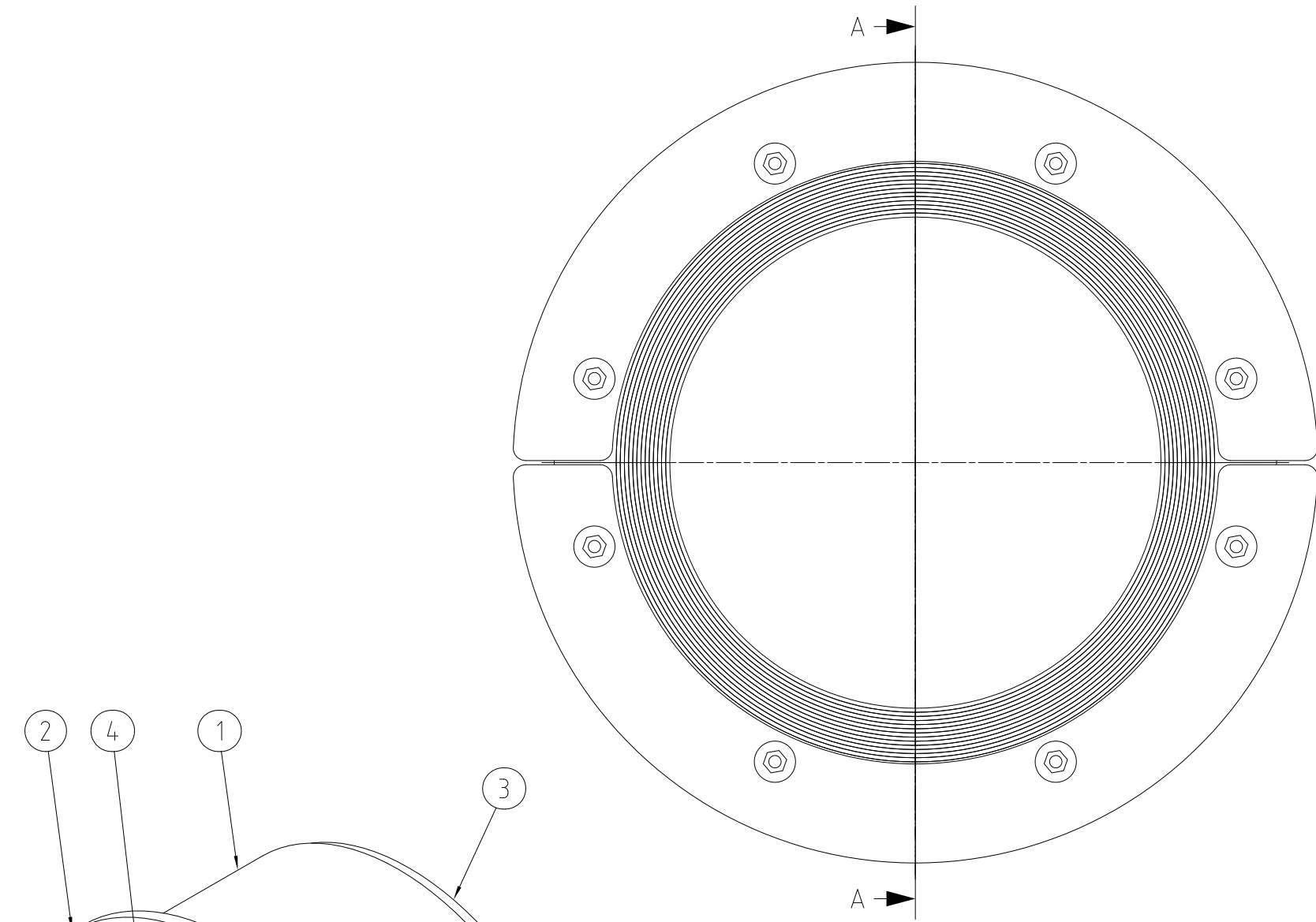


洛克赛克保留所有权利。未经授权复制或  
使用以及向第三方泄露。

All rights reserved. Unauthorized reproduction, use  
or disclosure to third parties is strictly forbidden.



Item	Qty	Designation	Specification	Net Weight
6	1	LUBRICANT	25 ml	
5	1	INSTALLATION INSTRUCTION		
4	8	SCREW	M6X90 A4	
3	2	REARFITTING	AISI 316	
2	2	FRONTFITTING	AISI 316	
1	2	RUBBER FRAME	ROXYLON	

General tolerance		Welded details		General surface		Designed by		Created Date		Approved by		Approved Date		Format		Scale		Net Weight	
ISO 2768-MK		EN ISO 5817-B		roughness, Ra		se-jenboh		2005-11-24		se-jenboh		2014-03-18		A2		1:1			
EN ISO 19122-BF		EN ISO 10042-B		12.5		Title		RS 175		Projection		Method		Rev		D			

<b>Roxtec</b>		www.roxtec.com		Restricted due to		Information Drawing		Drawing number		S1008670	
---------------	--	----------------	--	-------------------	--	---------------------	--	----------------	--	----------	--

Rev	Type of revision	Date	Sign
D	ITEMS 5 & 6 ADDED	2014-02-28	se-emikul