

Ø5 (4x) ALL GE FRAMES HAVE 4 HOLES

10x45°

H

A (MM)				
SIZE (X)	X	X+X	X+X+X	X+X+X+X
1 & 2	115	229	339	451
3 & 4	173,5	346	514,5	685
5 & 6	232	463	690	919
7 & 8	292	583	870	1159

B (MM)	
COMBINATION	SIZE (X) 2,4,6,8
x1	134
x2	265
x3	396
x4	526
x5	657
x6	787
x7	918
x8	1048
x9	1179
x10	1309

B (MM)	
COMBINATION	SIZE (X) 1,3,5,7
x1	75
x2	144
x3	216
x4	286
x5	357
x6	427
x7	498
x8	568
x9	639
x10	709

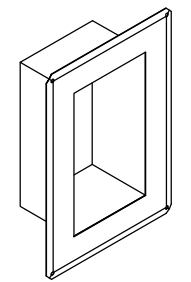
COMBINATIONS >x10		
SIZE	COMB.	B (MM)
2,4,6,8	xN	Nx130.5+4

C = 100 (STANDARD DEPTH)

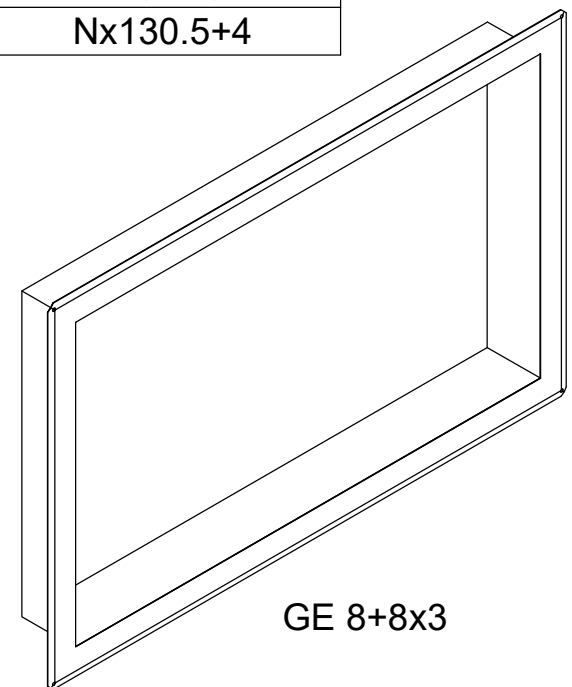
NOTE 1: T=0,9mm FOR GALVANIZED
T=0,7mm FOR ACID PROOF STAINLESS STEEL

NOTE 2: GE FRAMES FITS CORRESPONDING GH FRAME.

EXAMPLES:
GE 4+4x3 FRAME FITS A GH 4+4x3 FRAME
GE 8x2 FRAME FITS A GH 8x2 FRAME



GE 6X1



GE 8+8x3

H	TABLE UPDATED	2022-02-14	se-jenboh
Rev	Type of revision	Date	Sign

General tolerances used for manufacturing shown in document DOC-002180		Designed by/date se-andrek 2005-09-08	Latest save date 2022-02-14	Format A3	Scale	Sheet no 1 / 1	TotWeight 0,7 kg
 www.roxtec.com		Title GE FRAME EXTENSION FRAME			Projection method		 Rev H
		Restricted due to Information drawing		Drawing number S1008220			