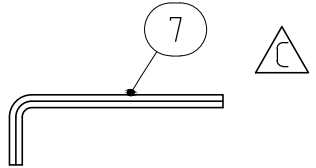
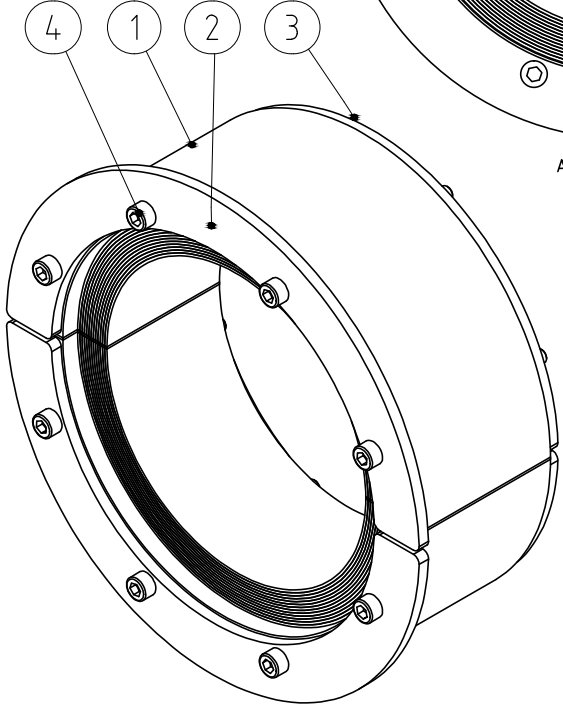
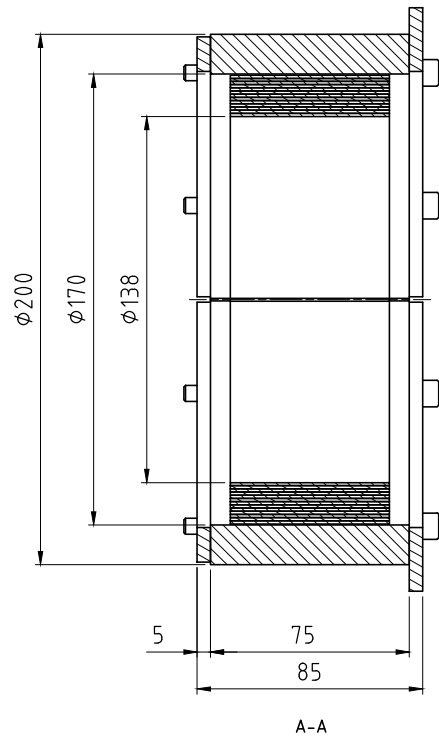
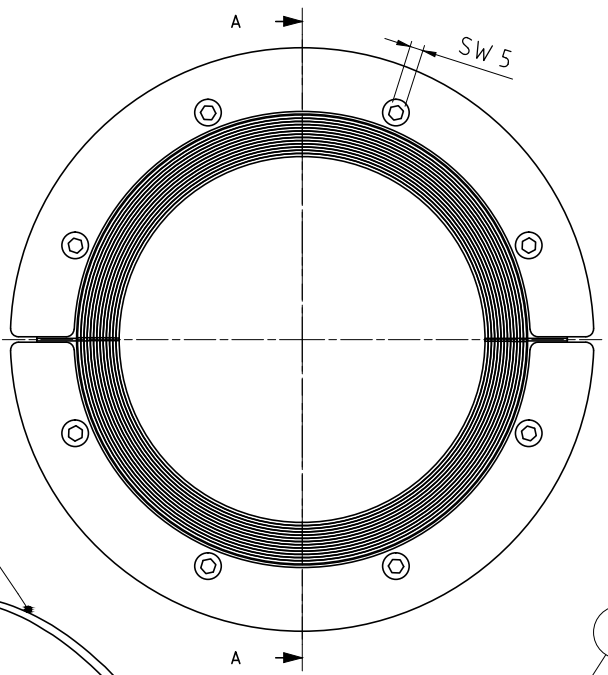
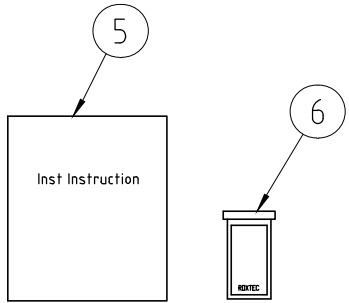


烙克塞克保留所有权利。未经授权严禁复制，
使用以及向第三方泄露。

All rights reserved. Unauthorized reproduction, use
or disclosure to third parties is strictly forbidden.



7	1	ALLEN KEY		-
6	1	LUBRICANT	25 ml	
5	1	INSTALLATION INSTRUCTION		
4	8	SCREW	M6x90 A4	
3	2	REAR FITTING	ACID PROOF STAINLESS STEEL	
2	2	FRONT FITTING	ACID PROOF STAINLESS STEEL	
1	2	RUBBER FRAME	ROXYLON	

Item	Qty	Designation	Specification					Net Weight				
General Tolerance		Welded details		General surface		Designed by	Created Date	Latest save date	Format	Scale	Sheet no	Total Weight
ISO 2768-1/2-m/K		EN ISO 5817-B		roughness, Ra		se-jenboh	2005-04-18	2016-04-29	A3	1:2		-
EN ISO 1920-BF		EN ISO 10042-B		12.5		Title		Projection		method		Rev
						RS SEALS						
						RS 200		Restricted due to		Drawing number		
						www.roxtec.com		Information drawing		S1007759		C

C	ALLEN KEY ADDED.	2016-04-29	se-jenboh
Rev	Type of revision	Date	Sign