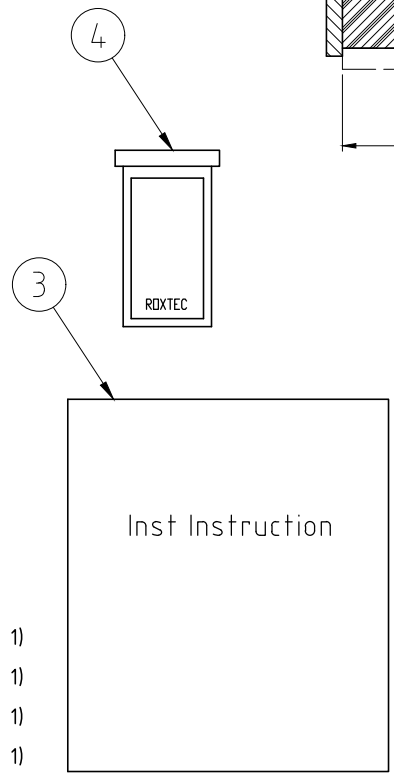
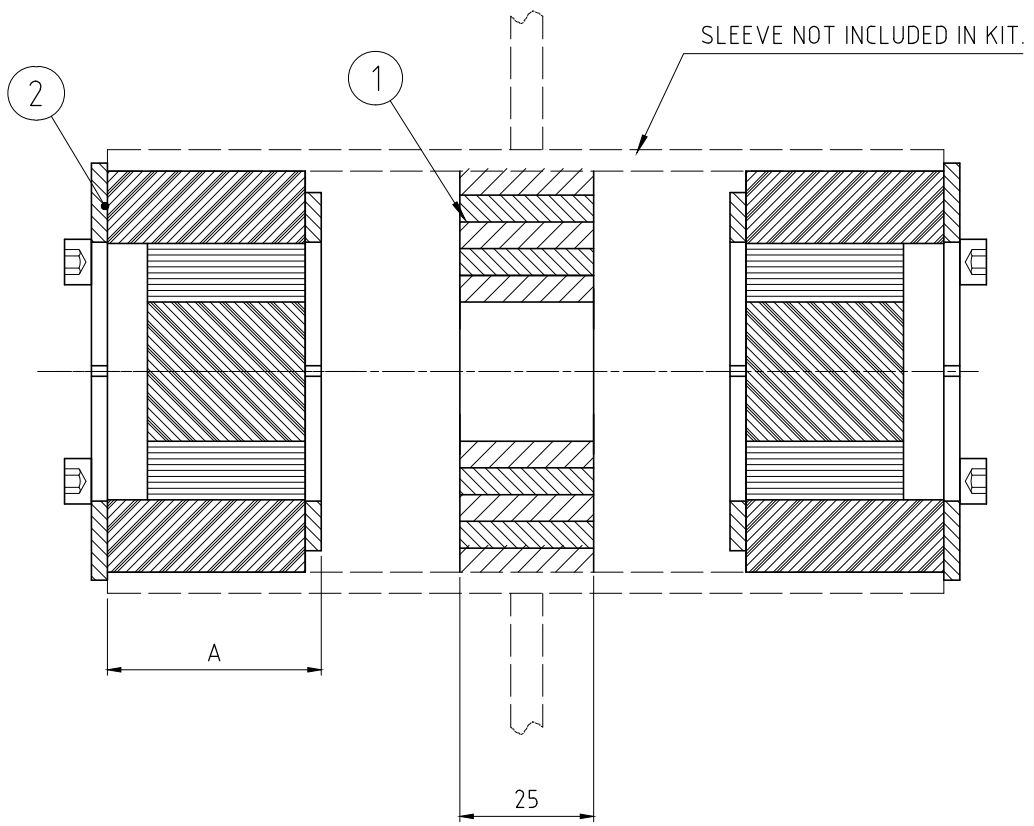
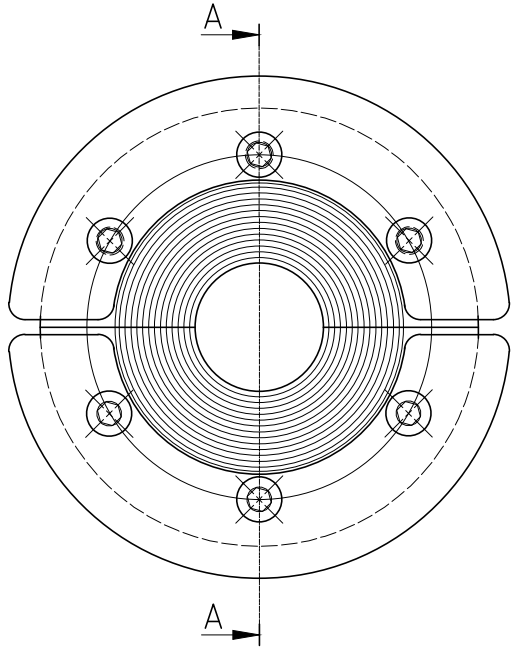


烙克赛克保留所有权利。未经授权严禁复制，使用以及向第三方泄露。

All rights reserved. Unauthorized reproduction, use or disclosure to third parties is strictly forbidden.

Rev 2.0



NOTE: SEALS MARKED 1) IS DELIVERED WITHOUT CORE.

RS PPS SEAL	PIPE DIMENSIONS Ø	A
RS PPS 31	4-17	38,5
RS PPS 43	4-23	40,5
RS PPS 50	8-30	40,5
RS PPS 68	26-48	40,5
RS PPS 75	24-54	40,5
RS PPS 100 WOC	48-70	41
RS PPS 125 WOC	66-98	42
RS PPS 150 WOC	93-119	42
RS PPS 175 WOC	119-147	42
RS PPS 200 WOC	138-170	42

- 1)
- 1)
- 1)
- 1)
- 1)

Item	Qty	Designation	Specification	Net Weight
4	1	LUBRICANT		-
3	1	INSTALLATION INSTRUCTION		-
2	2	C RS SEAL	ROXYLON / ACID PROOF ST. STEEL	-
1	1	INTUMESCENT MATERIAL		-

General tolerances used for manufacturing shown in document DOC-91280		Designed by	Created Date	Latest save date	Format	Scale	Sheet no	Tot Weight
		se-jenboh	2005-03-22	2021-10-12	A3	1:1		-
Title		RS PPS SEAL		Projection method				
Restricted due to		RS PPS 31 - RS PPS 200		Drawing number		S1007685		
Information drawing		www.roxtec.com		Rev		G		

Rev	Type of revision	Date	Sign
G	ALLEN KEY TOOL DISCONTINUED.	2021-10-12	se-jenboh

Information drawings show general design and nominal dimensions if not else stated