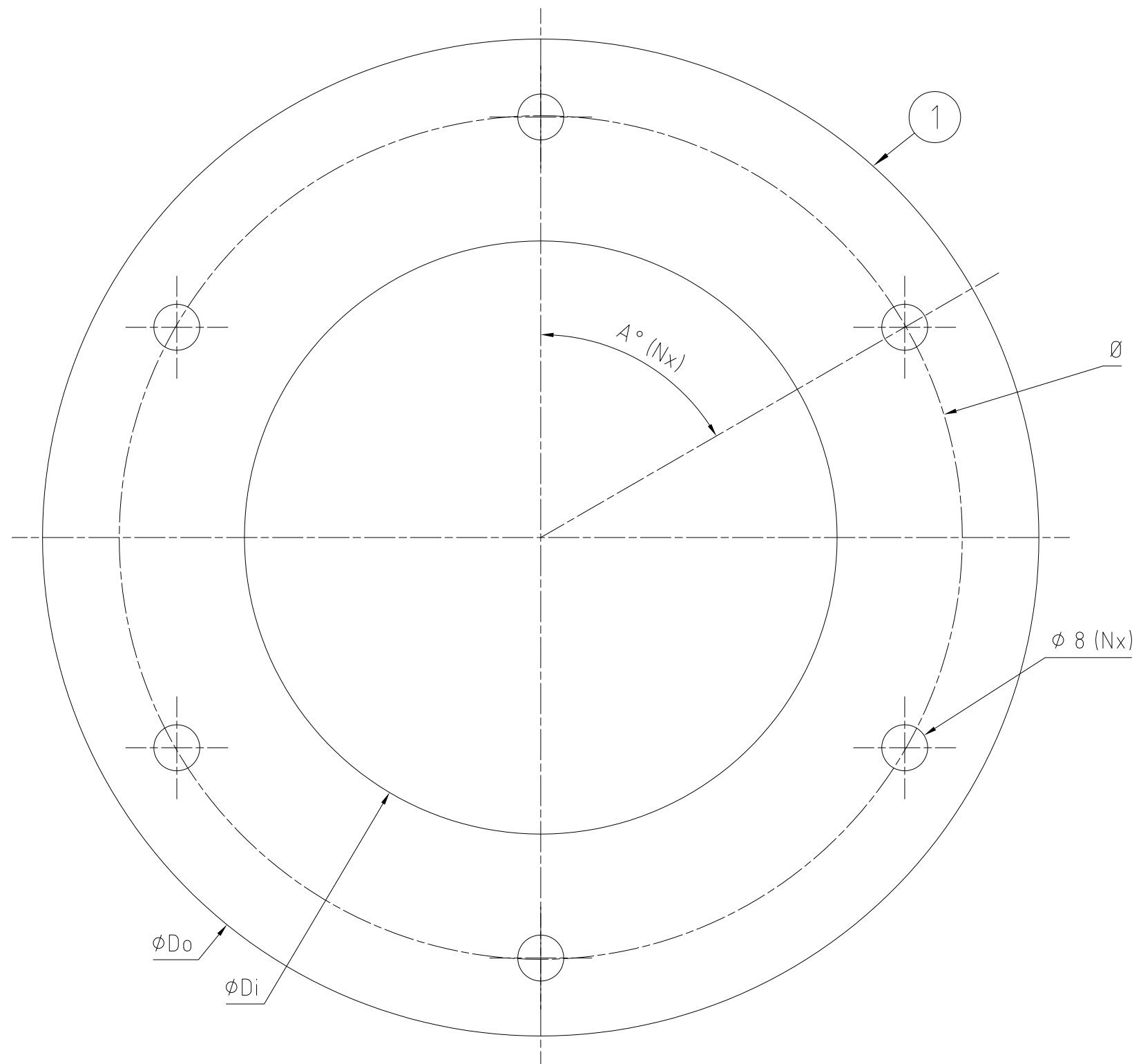


特克赛克保留所有权利。未经授权严禁复制，
使用以及向第三方泄漏。

All rights reserved. Unauthorized reproduction, use
or disclosure to third parties is strictly forbidden.

TYPE	A°	Ø mm	Do Ø mm	Di Ø mm	N (x)
GASKET 23	90	68	91	36	4
GASKET 25	90	72	95	38	4
GASKET 31	90	72	101	44	4
GASKET 43	90	80	109	56	4
GASKET 50	90	110	139	67	4
GASKET 68	90	125	154	87	4
GASKET 70	90	130	159	87	4
GASKET 75	90	135	164	93	4
GASKET 100	60	165	194	118	6
GASKET 125	60	183	212	144	6
GASKET 127	60	183	212	144	6
GASKET 150	60	206	235	168	6
GASKET 175	60	225	254	193	6
GASKET 200	45	260	289	218	8
GASKET 225	45	290	319	243	8
GASKET 250	30	315	344	268	12
GASKET 300	30	365	394	318	12
GASKET 350	30	415	444	368	12
GASKET 400	20	465	494	418	18
GASKET 450	20	514	543	468	18
GASKET 500	20	565	594	518	18
GASKET 550	20	615	644	568	18
GASKET 600	15	665	694	618	24
GASKET 644	15	709	738	662	24



Rev	Type of revision	Date	Sign
D	A° CORRECTED TO 60.	2013-02-04	se-tonator

Item	Qty	Designation	Specification	Net Weight
1	-	RUBBER	EPDM SH60° BLACK T=4	
ROXTEC INTERNATIONAL AB BOX 540 S-371 23 Karlskrona TEL: +46 455 366700 FAX: +46 455 82012		Designed by se-andrek Approved by se-henols Format A3 Restricted due to Information Drawing	Created Date 2005-03-21 Approved Date 2013-02-05 Title GASKET WITH HOLES SLFR/RS 23-644 Drawing number S1007680	General tolerance ISO 2768-1/2-m/K EN ISO 13920-BF Welded details EN ISO 5817-B EN ISO 10042-B General surface roughness, Ra 12,5 -
				Tot Weight Projection method Rev D

