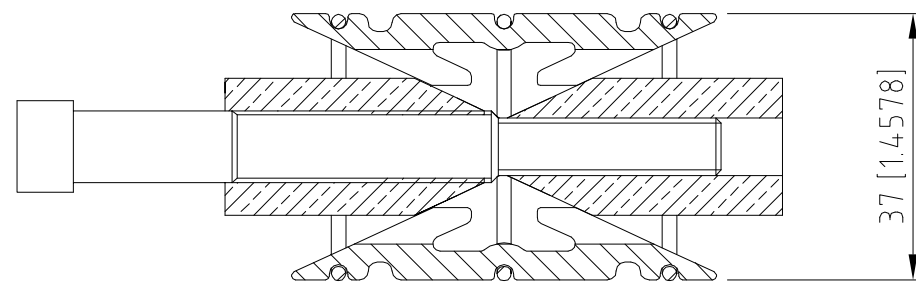
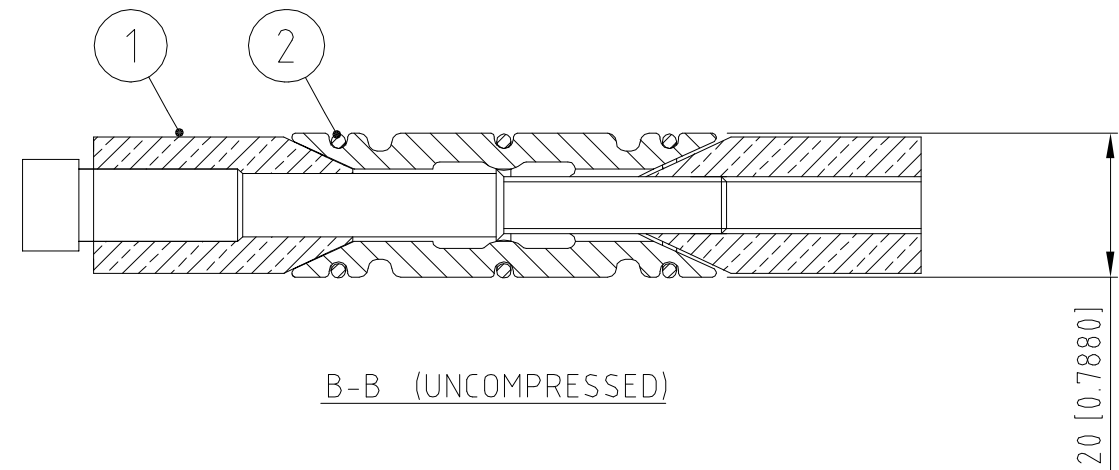
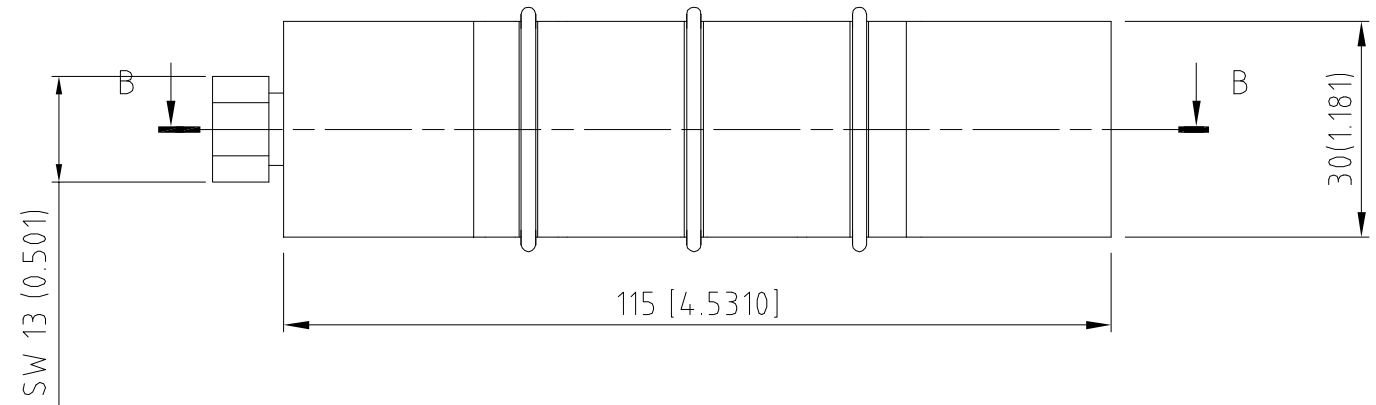
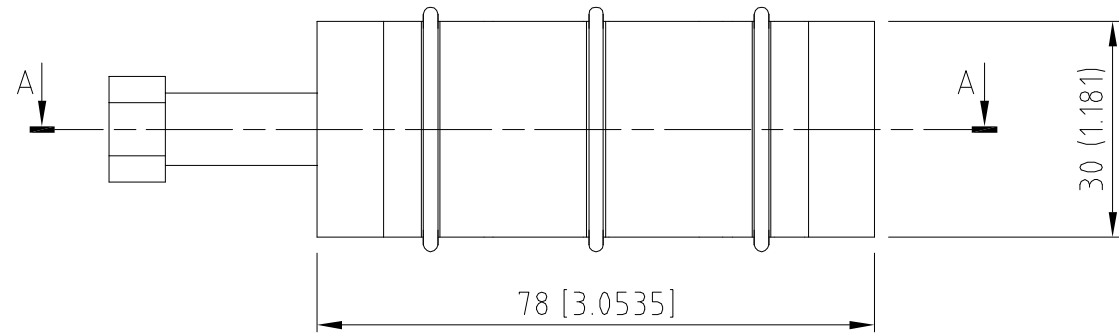


We reserve all rights in this document and in the information contained herein. Reproduction, use or disclosure to third parties without express authority is strictly forbidden. ©ROXTEC INTERNATIONAL AB



A-A (COMPRESSED)

B-B (UNCOMPRESSED)

2	3	O-RING							-
1	1	WEDGE							-
Item	Qty	Designation	Specification					NetWeight	
ROXTEC INTERNATIONAL AB BOX 540 S-371 23 Karlskrona TEL: +46 455 366700 FAX: +46 455 82012		Designed by JE BOHLIN	Date 2005-03-08	General tolerance ISO 2768-1 m	Welded details SS-EN 25 817 SS-EN 30 042 C	General surface roughness, Ra	-	TotWeight -	
		Checked by JE BOHLIN	Format A3	Title PRE-COMP WEDGE 40/60				Projection method E ⊕	
		Approved by JE BOHLIN	Scale	Drawing number S1007639				Rev B	
		Restricted due to INFORMATION DRAWING							



B	DOC. TITLE CHANGED.	2005-04-05	AN KARLSSON
Rev	Type of revision	Date	Sign