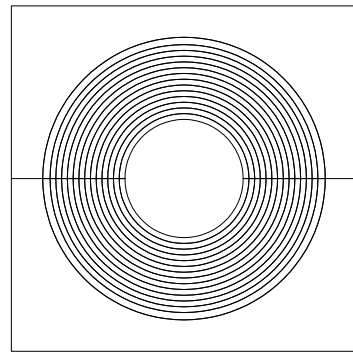


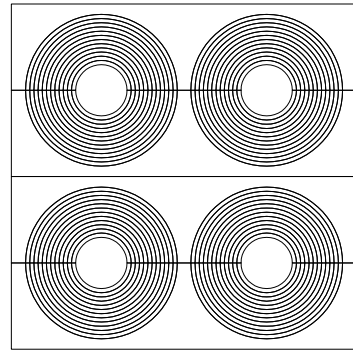
格克塞克保留所有权利。未经授权严禁复制，使用以及向第三方泄露。

All rights reserved. Unauthorized reproduction, use or disclosure to third parties is strictly forbidden.



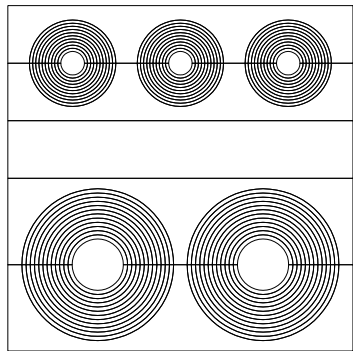
CRL 5''/1
1 PCS. CM 66

8



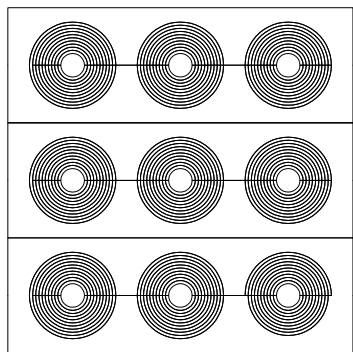
CRL 5''/4
2 PCS. CM 33w66

8



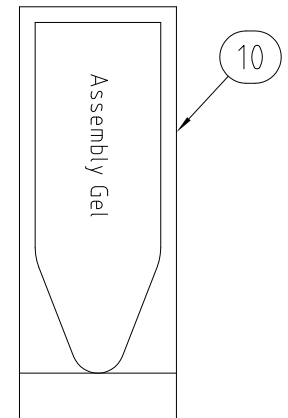
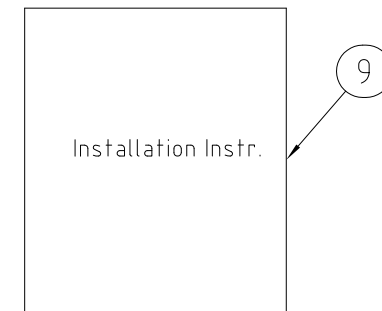
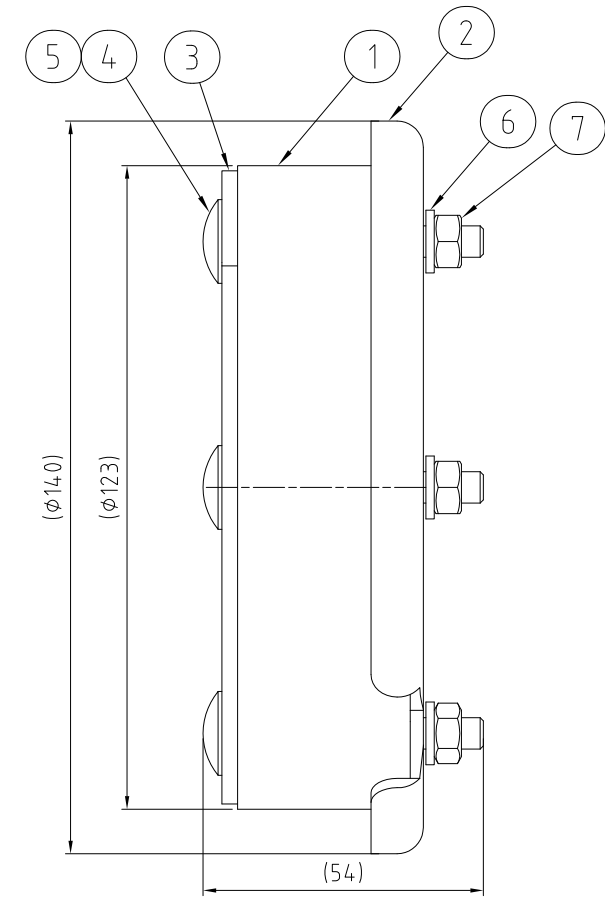
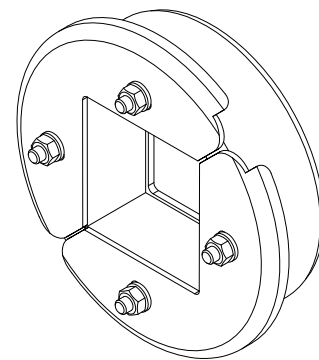
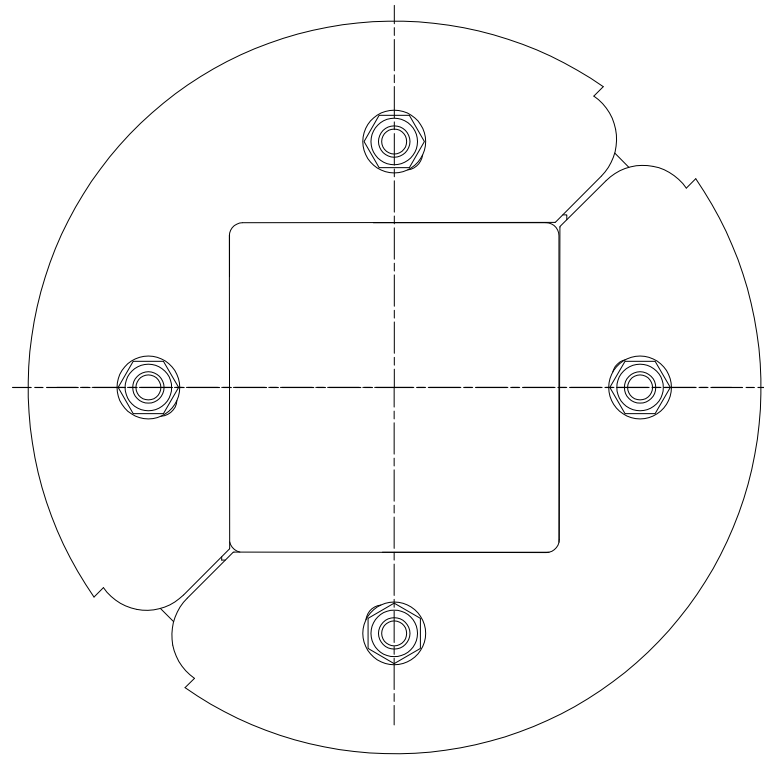
CRL 5''/5
1 PCS. CM 22w66
1 PCS. CM 11W66/0
1 PCS. CM 33w66

8



CRL 5''/9
3PCS. CM 22w66

8



Item	Qty	Designation	Specification	Net Weight
10	1	ASSEMBLY GEL		
9	1	INSTALLATION INSTRUCTION		
8	1	MODULE KITS	ROXYLON	
7	4	NUT	U6M STEEL 1/4 UNC DACROMET	
6	4	WASHER	M6 Fe/Zn HB200 8P2, ISO7089	
5	4	GASKET	MVBF M6 EPDM	
4	4	SCREW	MVBF STEEL1/4 UNCx2 DACROMET	
3	2	REAR FITTING	MILD STEEL, POWDER COATED	
2	2	FRONT FITTING	MILD STEEL, POWDER COATED	
1	1	RUBBER	ROXYLON	

General tolerance ISO 2768-1/2-M/K	Welded details EN ISO 5817-B	General surface roughness, Ra EN ISO 10042-B 12.5	Designed by se-stemil	Created Date 2004-12-28	Approved by se-jorake	Approved Date 2014-04-03	Format A2	Scale 1:1	Net Weight
 www.roxtec.com			Title CRL 5'' ASSEMBLY Restricted due to Information Drawing		Drawing number S1007236		Projection method 		Rev D

D	BOM AND BALLOONS ADDED	2014-04-02	se-emikul
Rev	Type of revision	Date	Sign