

烙克賽克保留所有权利。未经授权严禁复制、使用以及向第三方泄露。

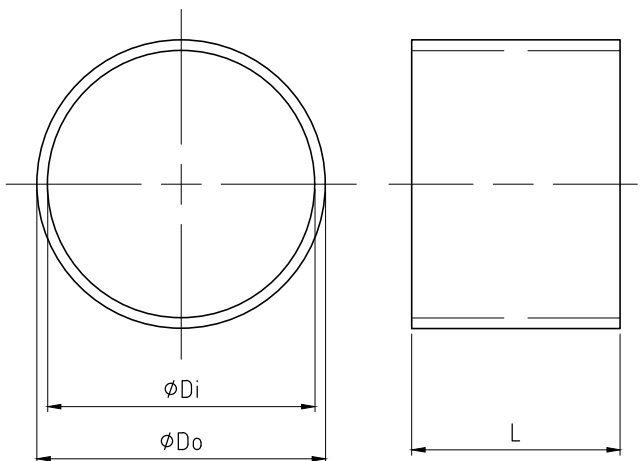
All rights reserved. Unauthorized reproduction, use or disclosure to third parties is strictly forbidden.

Rev 2.0

RS PPS/S SYSTEM			
SLEEVE TYPE	Di (mm)	Do (mm)	L (mm)
SLRS 43	44	52	65
SLRS 50	51	63	65
SLRS 68	69,5	83	65
SLRS 75	76,5	89	65
SLRS 100	101	114	65
SLRS 125	126	140	65
SLRS 150	151	164	65


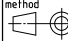
RS PPS/S F+WT SYSTEM			
SLEEVE TYPE	Di (mm)	Do (mm)	L (mm)
SL PPS 43 L=600	44	52	600
SL PPS 50 L=600	51	63	600
SL PPS 68 L=600	69,5	83	600
SL PPS 75 L=600	76,5	89	600
SL PPS 100 L=600	101	114	600
SL PPS 125 L=600	126	140	600
SL PPS 150 L=600	151	164	600

RS PPS SYSTEM			
SLEEVE TYPE	Di (mm)	Do (mm)	L (mm)
SL PPS 31 L=156	31,5	40	156
SL PPS 43 L=156	44	52	156
SL PPS 50 L=156	51	63	156
SL PPS 68 L=156	69,5	83	156
SL PPS 75 L=156	76,5	89	156
SL PPS 100 L=156	101	114	156
SL PPS 125 L=156	126	140	156
SL PPS 150 L=156	151	164	156
SL PPS 175 L=156	176	189	156
SL PPS 200 L=156	201	214	156
SL PPS 225 L=400	227	239	400
SL PPS 250 L=400	252	264	400
SL PPS 300 L=400	302	314	400
SL PPS 350 L=400	352	364	400
SL PPS 400 L=400	402	414	400
SL PPS 450 L=400	452	464	400



NOTE: SLEEVE LENGTH OTHER THAN STANDARD SPECIFIED IN THE CORRESPONDING CERTIFICATE FOR THE APPLICATION

N	TABLE UPDATED.	2021-05-17	se-jenboh
Rev	Type of revision	Date	Sign

Item	Qty	Designation	Specification				Net Weight	
General tolerances used for manufacturing shown in document DOC-91280		Designed by	Created Date	Latest save date	Format	Scale	Sheet no	Net Weight
		se-camsve	2004-10-25	2021-05-17	A3	1:2		-
 www.roxtec.com		Title		Projection method				
		SL PPS SLEEVES						
Restricted due to		Information drawing		Drawing number		Rev		
				S1006897		N		

Information drawings show general design and nominal dimensions if not else stated