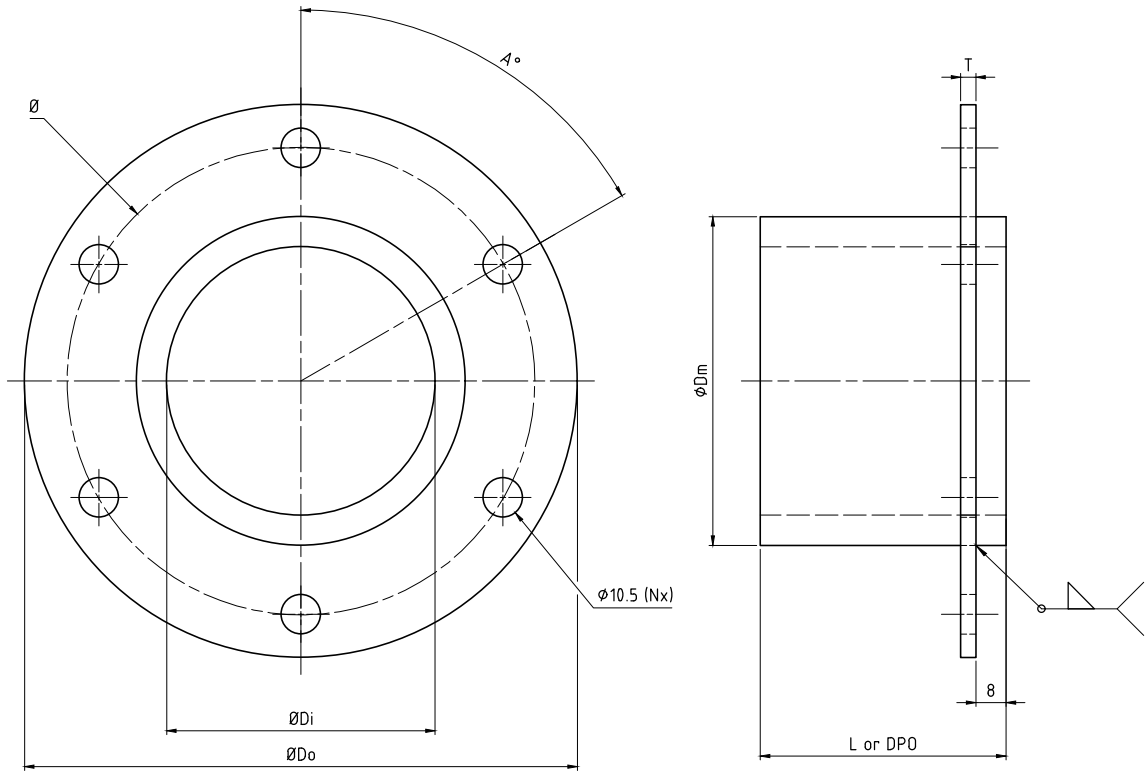


未经授权保留所有权利。未经授权使用以及向第三方泄露。

All rights reserved. Unauthorized reproduction, use or disclosure to third parties is strictly forbidden.



DPO = DIMENSION VIA PURCHASE ORDER

NOTE: WHEN USING LENGTHS OTHER THAN IN THE TABLE THE NAME STANDARD IS ACCORDING TO: SLF + SIZE + MATERIAL + DPO (SLF 100 AISI316 L=200 , SLF 400 GALV L=250)



TYPE	Di (mm)	Do (mm)	A°	Ø (mm)	N (X)	T (mm)	L (mm)	Dm (mm)
SLFRS 23	23,5	92	90	68	4	4	35	32
SLFRS 25	25,5	96	90	72	4	4	35	34
SLFRS 31	31,5	102	90	72	4	4	35	40
SLFRS 43	44	110	90	80	4	4	65	52
SLFRS 50	51	140	90	110	4	4	65	63
SLFRS 68	69,5	155	90	125	4	4	65	83
SLFRS 75	76,5	165	90	135	4	4	65	89
SLFRS 100	101	195	60	165	6	4	65	114
SLFRS 125	126	213	60	183	6	4	65	140
SLFRS 150	151	236	60	206	6	4	65	164
SLFRS 175	176	255	60	225	6	4	65	189
SLFRS 200	201	290	45	260	8	4	65	214
SLFRS 225	227	320	45	290	8	4	55	239
SLFRS 250	252	345	30	315	12	4	55	264
SLFRS 300	302	395	30	365	12	4	55	314
SLFRS 350	352	445	30	415	12	4	55	364
SLFRS 400	402	495	20	465	18	4	55	414
SLFRS 450	452	544	20	514	18	4	55	464
SLFRS 500	502	595	20	565	18	5	55	514
SLFRS 550	552	645	20	615	18	5	55	564
SLFRS 600	602	695	15	665	24	5	55	614
SLFRS 644	646	739	15	709	24	5	55	658

NOTE: ALUMINUM IS ONLY AVAILABLE IN SIZES UP TO SLFRS 300.

TYPE	Di (mm)	Do (mm)	A°	Ø (mm)	N (x)	T (mm)	L (mm)	Dm (mm)
SLFR 50	51	140	90	110	4	4	55	63
SLFR 70	71,5	160	90	130	4	4	55	83
SLFR 75	76,5	165	90	135	4	4	55	89
SLFR 100	101	195	60	165	6	4	55	114
SLFR 125	126	213	60	183	6	4	55	140
SLFR 127	128	213	60	183	6	4	55	140
SLFR 150	151	236	60	206	6	4	55	164
SLFR 200	201	290	45	260	8	4	55	214

Rev 3.0

Rev	Type of revision	Date	Sign
R	NOTE ADDED.	2022-10-27	se-jenboh

Item	Qty	Designation	Specification	Net Weight
General tolerances used for manufacturing when in document (ISO 9013)		Designed by	Created Date	Latest issue date
		se-jenboh	2004-10-13	2022-10-28
		Format	Scale	Sheet no
		A2	1:1	-
www.roxtec.com		SLEEVE WITH FLANGE SLFR/RS 23-644		Projection method
Restricted due to		Information drawing		Drawing number
		S1006852		Rev
				R

Information drawings show general design and nominal dimensions if not else stated