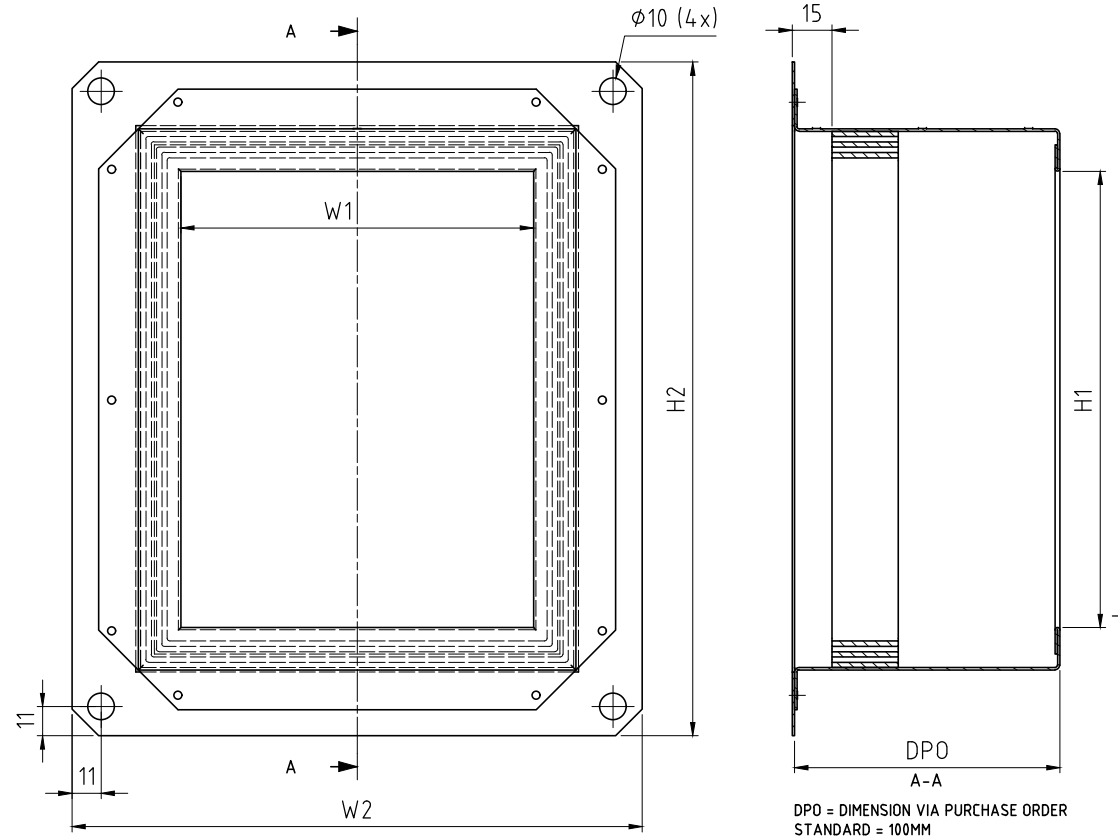
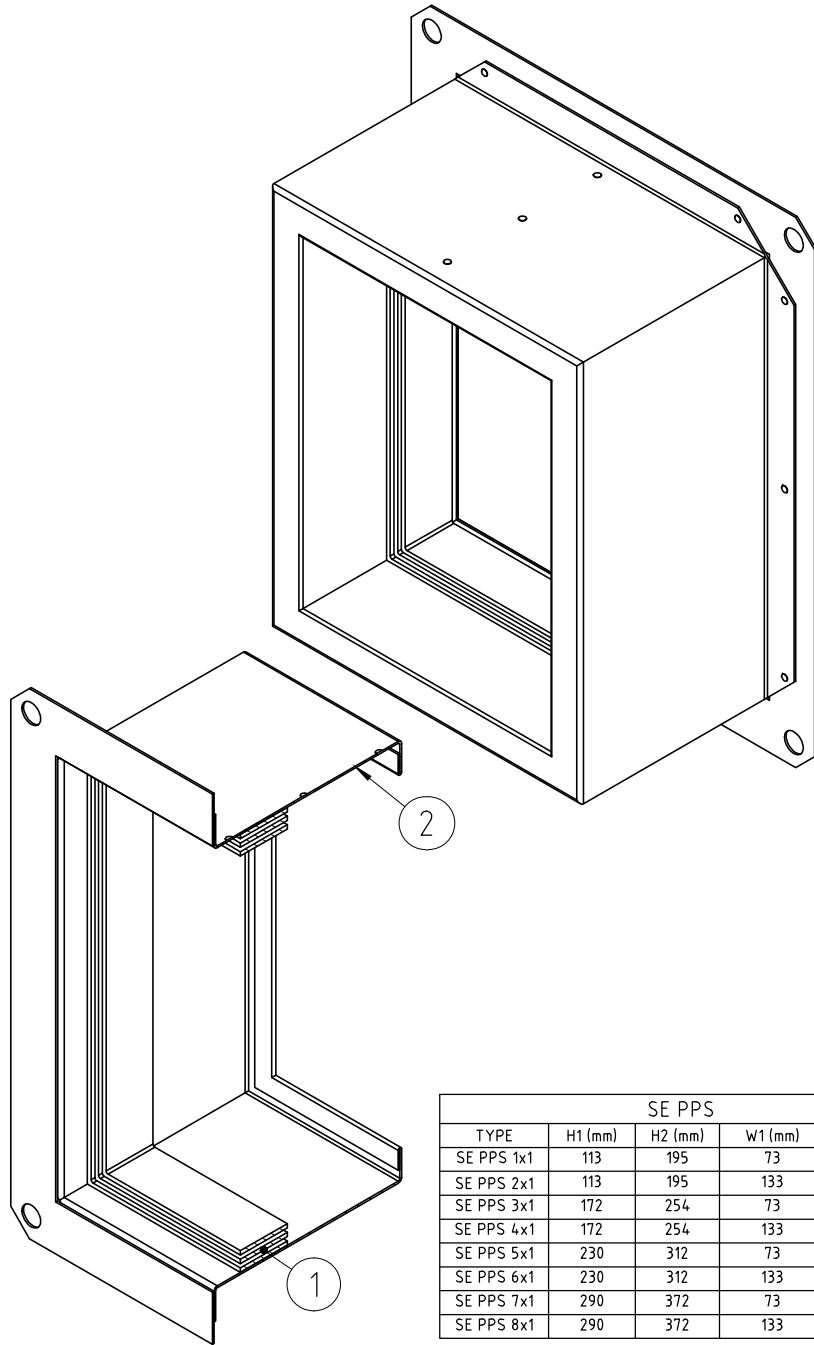


烙克赛克保留所有权利。未经授权严禁复制，使用以及向第三方泄露。

All rights reserved. Unauthorized reproduction, use or disclosure to third parties is strictly forbidden.



DPO = DIMENSION VIA PURCHASE ORDER
STANDARD = 100MM

SE PPS				
TYPE	H1 (mm)	H2 (mm)	W1 (mm)	W2 (mm)
SE PPS 1x1	113	195	73	155
SE PPS 2x1	113	195	133	215
SE PPS 3x1	172	254	73	155
SE PPS 4x1	172	254	133	215
SE PPS 5x1	230	312	73	155
SE PPS 6x1	230	312	133	215
SE PPS 7x1	290	372	73	155
SE PPS 8x1	290	372	133	215

NOTE:
-MASS APPROX 1Kg FOR SIZE 4.

2	1	FRAME	T=0.7mm							
1	1	INTUMESCENT MATERIAL	25x2mm							
Item	Qty	Designation	Specification							Net Weight
General Tolerance ISO 2768-1/2-m/K	Welded details EN ISO 5817-B	General surface roughness, Ra 12.5	Designed by se-jenboh	Created Date 2004-07-23	Latest save date 2018-04-12	Format A3	Scale 1:2	Sheet no	Tol Weight -	
		Title SE PPS FRAME						Projection method 		
Rev		Type of revision	Date	Sign	Drawing number S1006468			Rev D		



D	ADD DPO,PPS E TO SE PPS,MAT. REM.	2018-04-12	se-matfal
Rev	Type of revision	Date	Sign