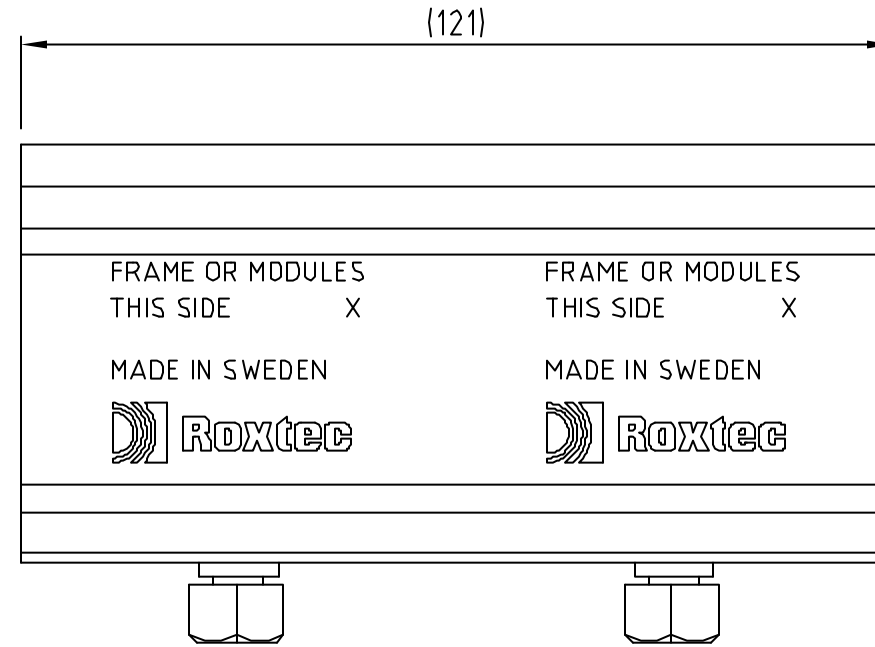
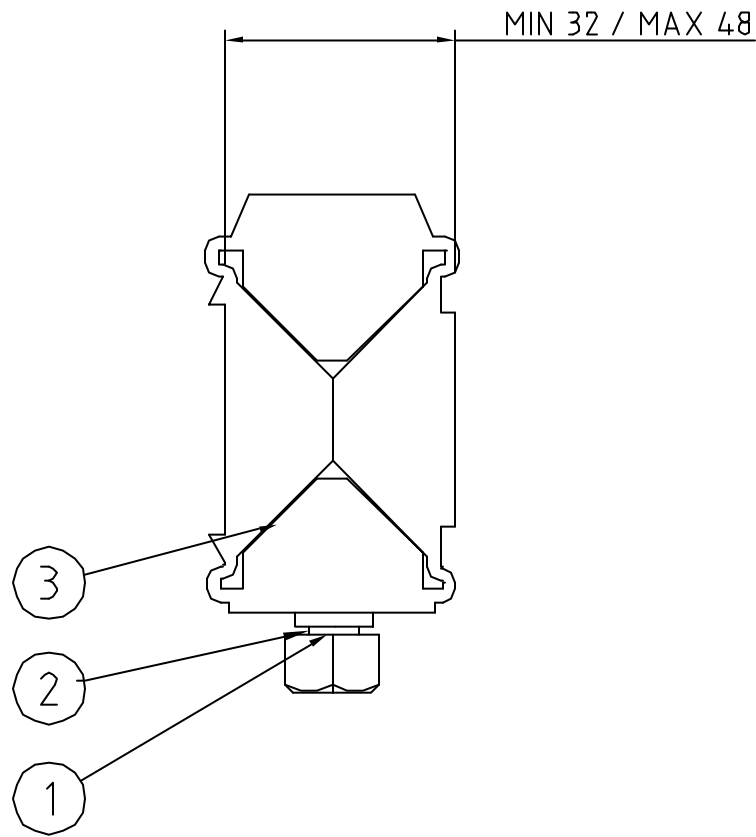


We reserve all rights in this document and in the information contained therein. Reproduction, use or disclosure to third parties without express authority is strictly forbidden. © ROXTEC INTERNATIONAL AB



3	1	RUBBER	ROXYLON	-				
2	2	DISTANCE RING	SS 1774-55 / SS 2343	-				
1	2	SCREW	SS 1914 / SS 2343	-				
Item	Qty	Designation	Specification	Net Weight				
ROXTEC INTERNATIONAL AB BOX 541 S-37123 Karlskrona TEL: +46 455 366744 FAX: +46 455 82812		Designed by S MILTON	Date 2004-07-23	General tolerance ISO 2768-1 m	Welded details SS-EN 25 817 SS-EN 58 442-	General surface roughness, Ra	-	Total weight -
		Checked by J HELLKVIST	Format A3	Title WEDGE 120 ASSEMBLY		Projection method 		
		Approved by J HELLKVIST	Scale 1:1	Drawing number S1006467		Rev -		
		Restricted due to INFORMATION DRAWING						

Rev	Type of revision	Date	Sign
-	-		