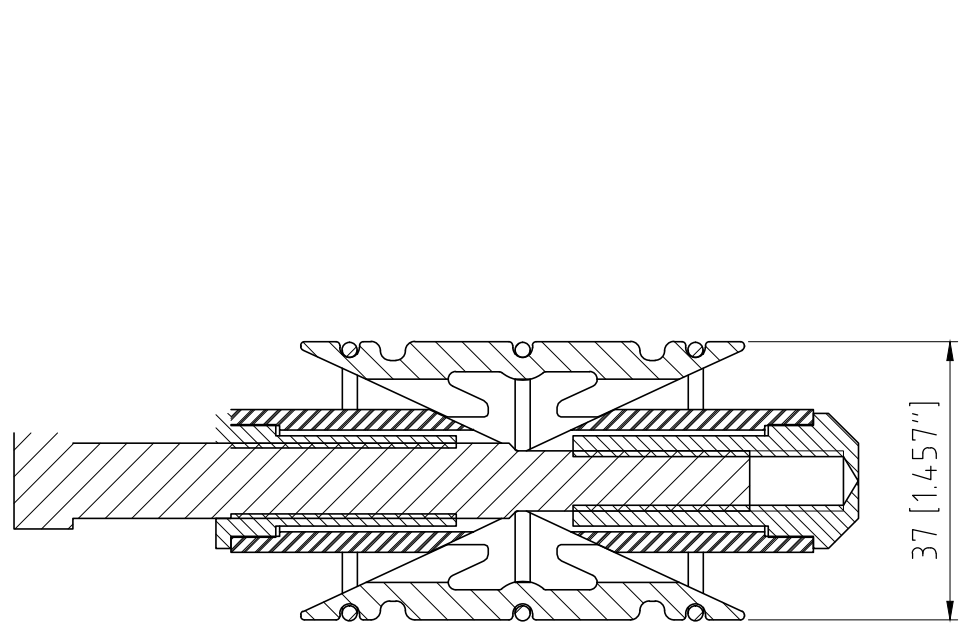
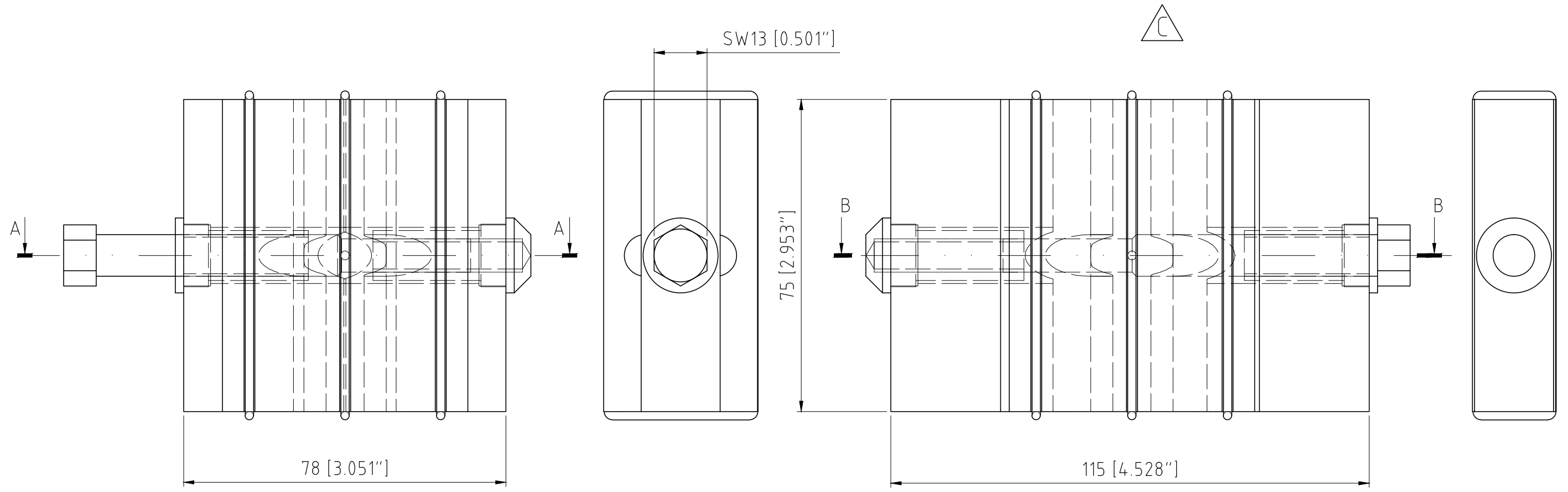
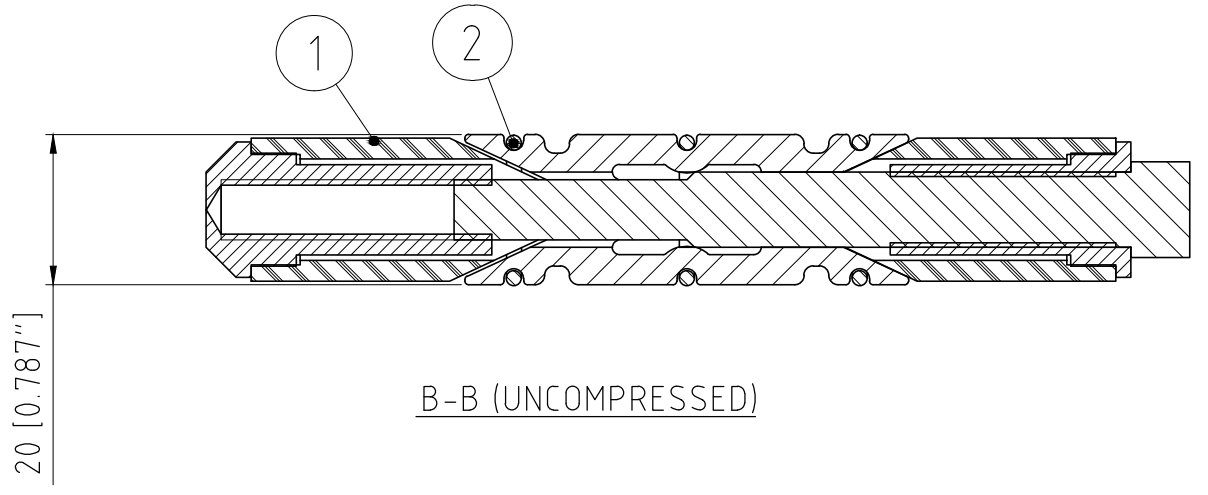


洛克赛克保留所有权利。未经授权严禁复制、使用以及向第三方泄露。

All rights reserved. Unauthorized reproduction, use or disclosure to third parties is strictly forbidden.



A-A (COMPRESSED)



B-B (UNCOMPRESSED)

2	3	O-RING								-			
1	1	WEDGE								-			
Item	Qty	Designation	Specification						Net Weight				
General tolerance		Welded details		General surface		Designed by/date		Latest save date		Format	Scale	Sheet no	Tot Weight
ISO 2768-1/2-m/K		EN ISO 5817-B		roughness, Ra		tc_service 2004-05-12		2017-04-18		A3	1:1		-
EN ISO 13920-BF		EN ISO 10042-B		12,5		Title		Restricted due to		Drawing number		Rev	
						PRE COMP WEDGE 120		Information drawing		S1006268		C	
						ASSEMBLY							

C	SECTION B-B CORRECTED	2017-04-18	se-henols
Rev	Type of revision	Date	Sign