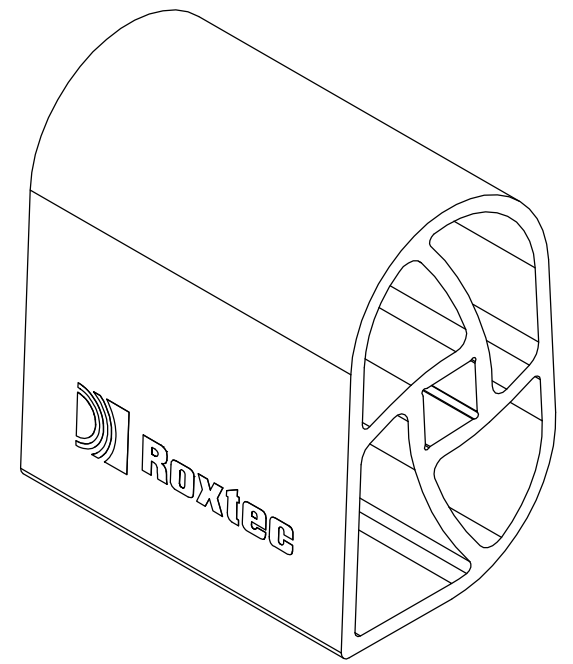
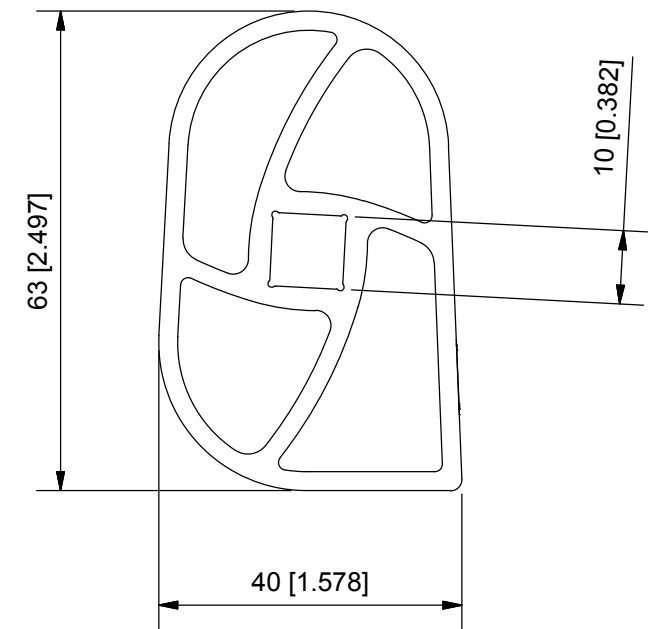
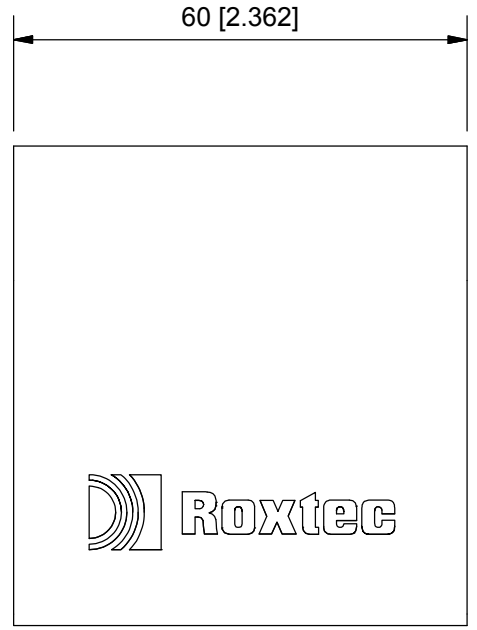

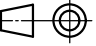


烙克赛克保留所有权利。未经授权严禁复制，使用以及向第三方泄露。

All rights reserved. Unauthorized reproduction, use or disclosure to third parties is strictly forbidden.



B	Migrated to Inventor	2017-09-27	se-jenboh
Rev	Type of revision	Date	Sign

General tolerance: ISO 2768-1/2-m/K EN ISO 13920-BF	Welded details: EN ISO 5817-B EN ISO 10042-B	General surface roughness: Ra 12.5	Designed by/date se-joahel 2004-05-12	Latest save date 2017-10-06	Format A3	Scale	Sheet no 1 / 1	TotWeight N/A
 Roxtec www.roxtec.com		Title ROXTEC TOOLS PRE-COMP ECCENTRIC TOOL LARGE			Projection method 		Rev B	
		Restricted due to Information drawing			Drawing number S1006267			