

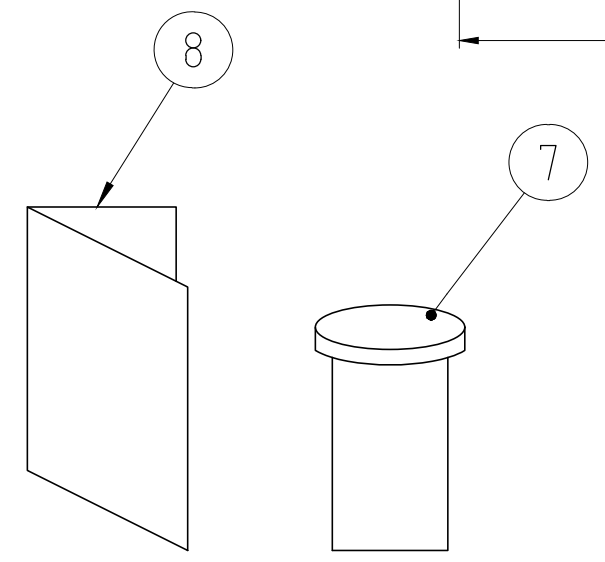
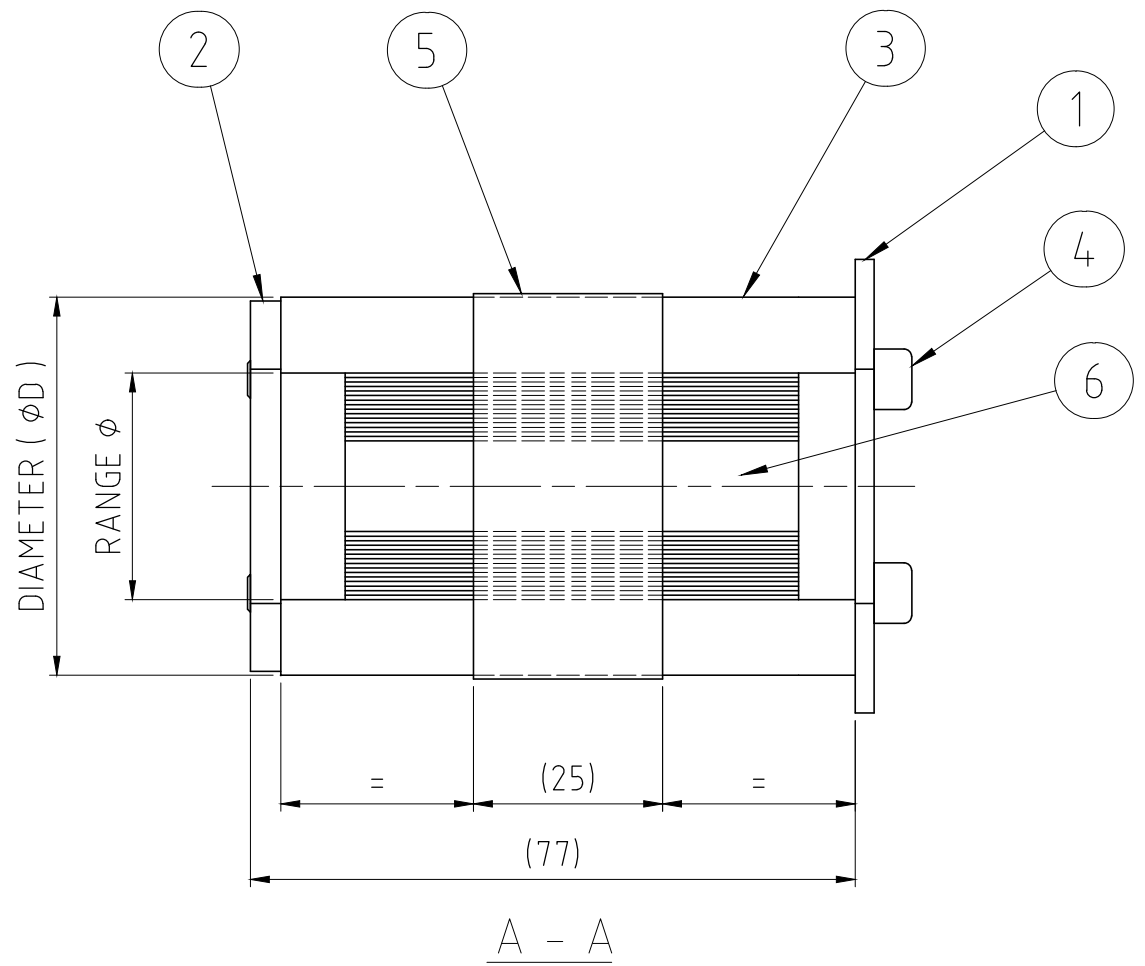
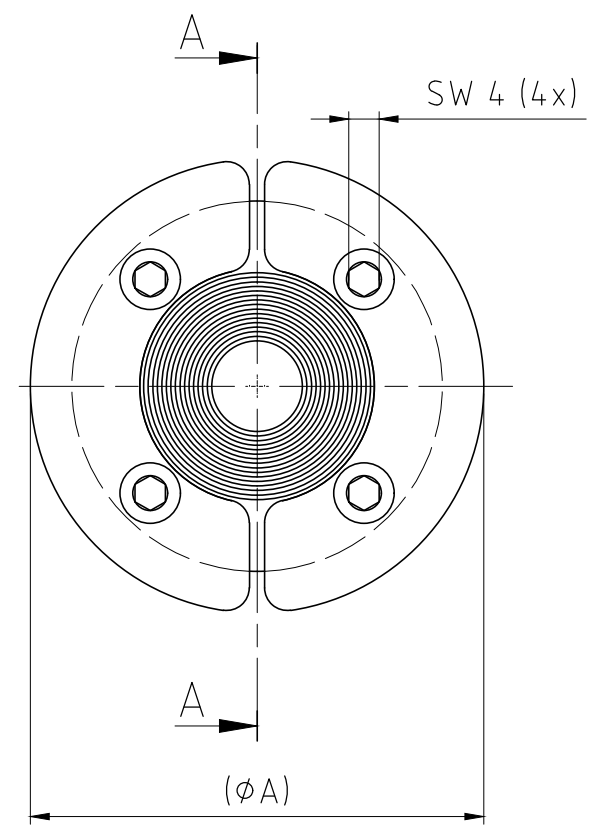
烙克囊克保留所有权利。未经授权严禁复制，使用以及向第三方泄漏。

All rights reserved. Unauthorized reproduction, use or disclosure to third parties is strictly forbidden.

Rev 2.0

RS PE SEALS				
SIZE	A	D	E	RANGE ϕ
RS 43 PE	53	43	1	0+4-23
RS 50 PE	60	50	1	0+8-30
RS 68 PE	78	68	1	0+26-48


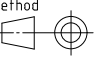
RS PE SEALS (WITHOUT CORE)				
SIZE	A	D	E	RANGE ϕ
RS 68 PE WOC	78	68	0	26-48



NOTE:
The range of the Roxtec Seal indicates the smallest possible diameter of the dismantled cable screen to the largest possible diameter of the cable mantle.

Item	Qty	Designation	Specification	Net Weight
8	1	INSTALLATION INSTRUCTION		
7	1	ROXTEC LUBRICANT		
6	E	CORE	ROXYLON	
5	2	CONDUCTIVE TAPE	TIN PLATED COPPER	
4	4	SCREW	MC6S A4	
3	2	RUBBER FRAME	ROXYLON	
2	2	REAR FITTING	ACID PROOF STAINLESS STEEL	
1	2	FRONT FITTING	ACID PROOF STAINLESS STEEL	

Rev	Type of revision	Date	Sign
E		2024-01-23	se-parham

General tolerances used for manufacturing shown in document DOC-002180		Designed by se-joahel	Created Date 2004-01-13	Latest save date 2024-01-23	Format A3	Scale 1:1	Sheet no	Net Weight -
 www.roxtec.com		Title RS PE SEALS RS 43-68 PE			Projection method 		Restricted due to Information drawing	
		Drawing number S1005807			Rev E			