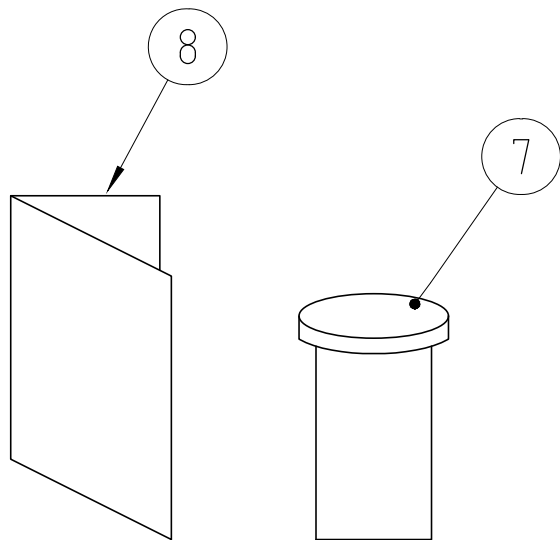
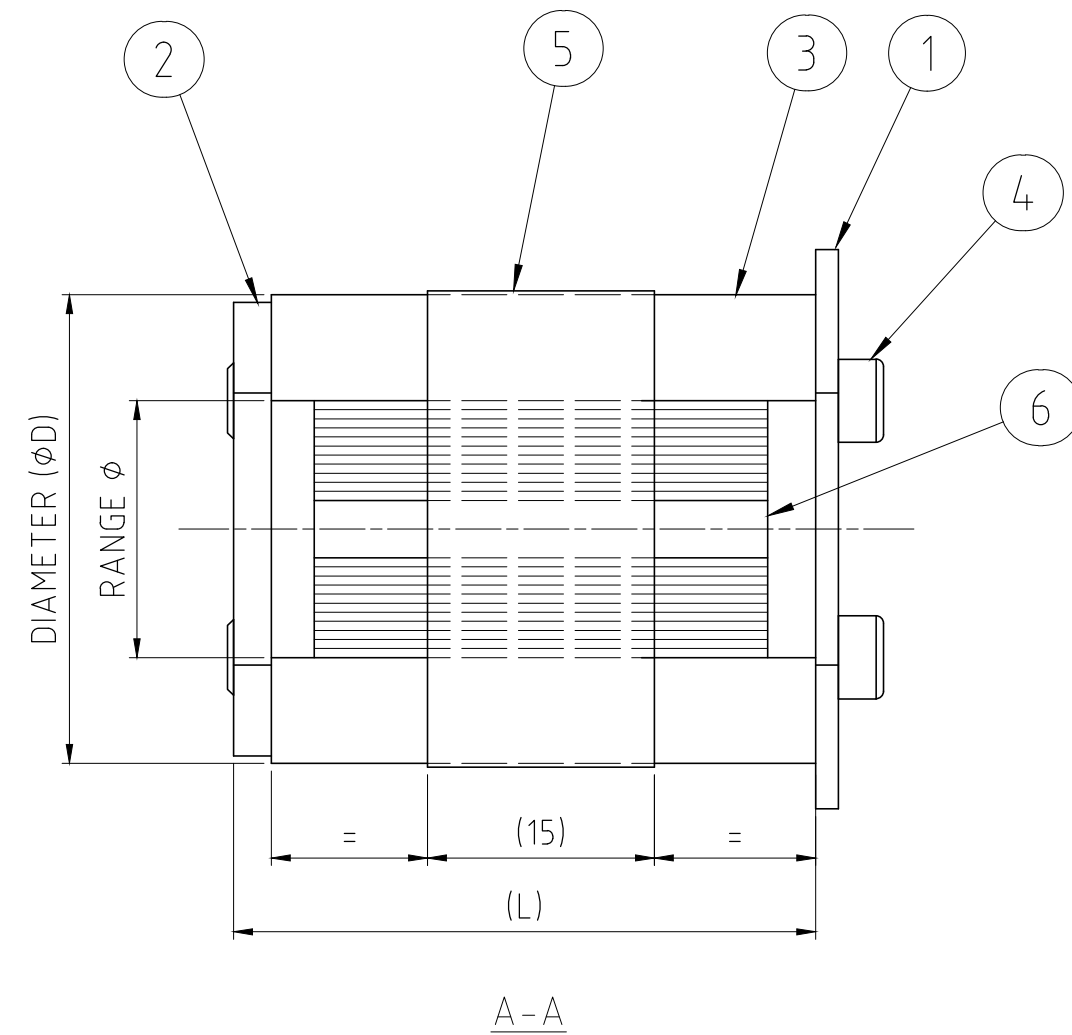
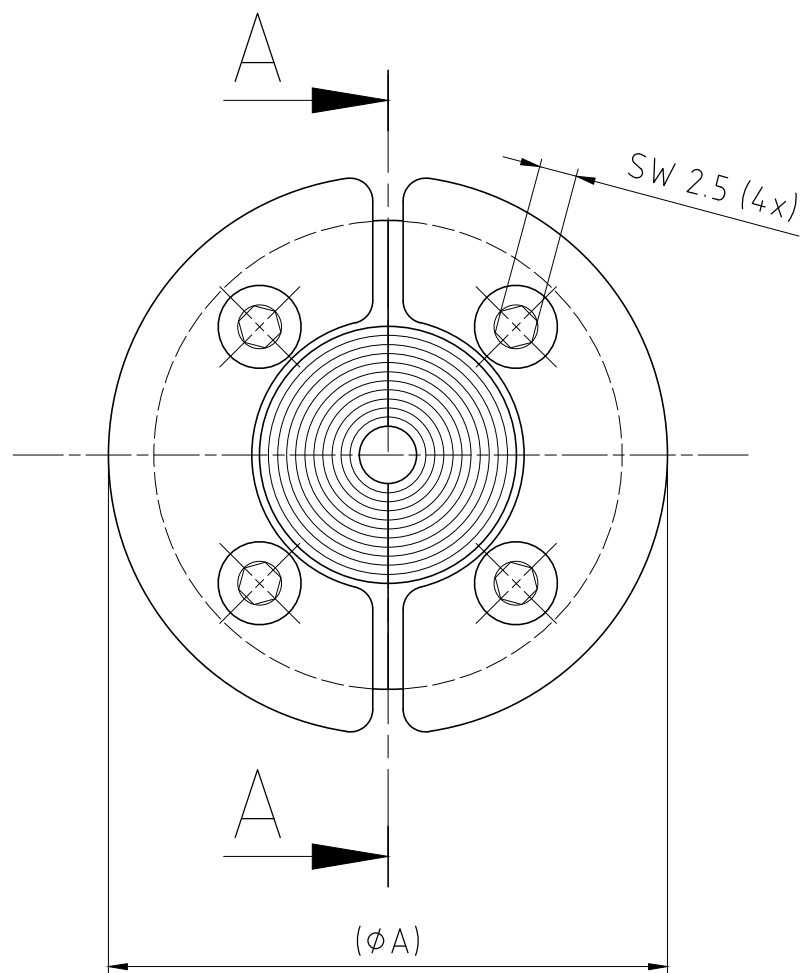


RS PE SEALS


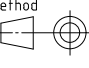
SIZE	A	D	RANGE ϕ	L
RS 25 PE	32	25	0+3.6-12	41,5
RS 31 PE	37	31	0+4-17	41,5



NOTE:

The range of the Roxtec Seal indicates the smallest possible diameter of the dismantled cable screen to the largest possible diameter of the cable mantle.

Item	Qty	Designation	Specification	NetWeight
8	1	INSTALLATION INSTRUCTION		-
7	1	ROXTEC LUBRICANT		-
6	1	CORE	ROXYLON	-
5	2	CONDUCTIVE TAPE	TIN PLATED COPPER	-
4	4	SCREW	MC6S A4	-
3	2	RUBBER FRAME	ROXYLON	-
2	2	REAR FITTING	ACID PROOF STAINLESS STEEL	-
1	2	FRONT FITTING	ACID PROOF STAINLESS STEEL	-

General tolerances used for manufacturing shown in document DOC-002180		Designed by	Created Date	Latest save date	Format	Scale	Sheet no	Total Weight
		se-joahel	2004-01-13	2024-01-23	A3	2:1		-
 www.roxtec.com		Title RS PE SEALS RS 25-31 PE		Projection method 		Drawing number S1005806		Rev F
		Restricted due to Information drawing						

Rev	Type of revision	Date	Sign
F		2024-01-23	se-parham