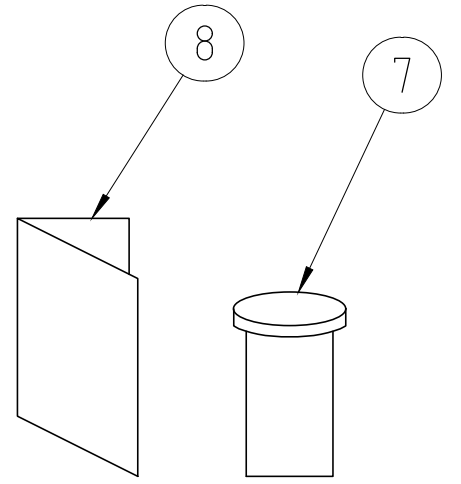
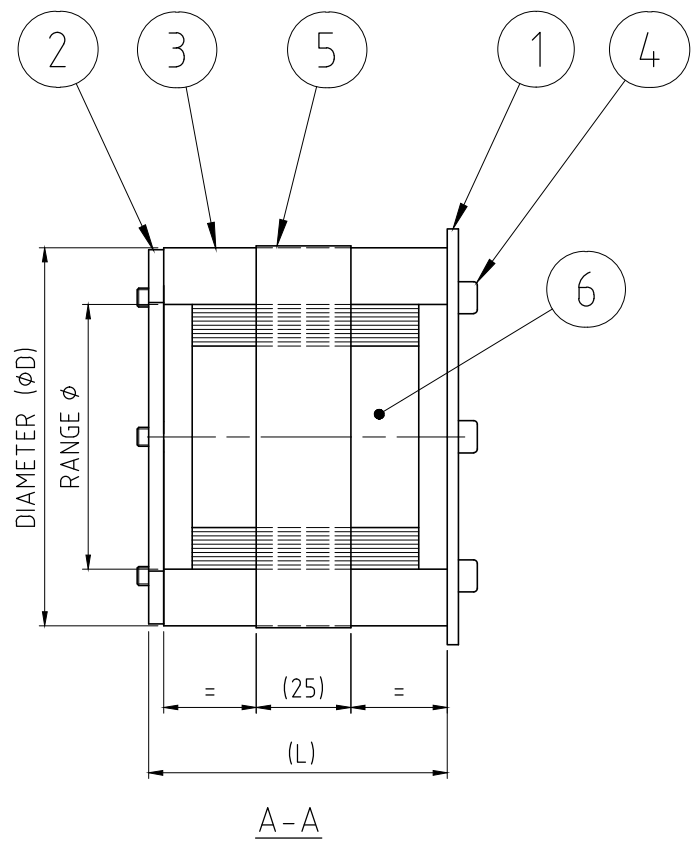
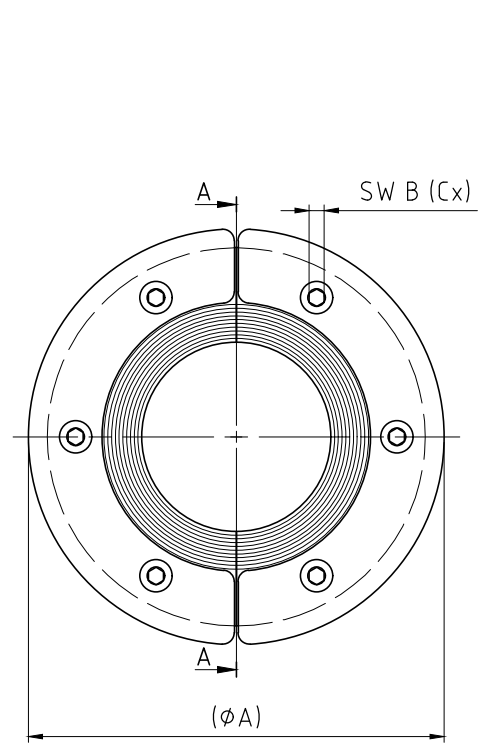


洛克赛克保留所有权利。未经授权严禁复制、使用以及向第三方泄露。

All rights reserved. Unauthorized reproduction, use or disclosure to third parties is strictly forbidden.

Rev 2.0

RS PE SEALS								RS PE WOC SEALS (WITHOUT CORE)							
SIZE	A	B	C	D	E	RANGE ϕ	L	SIZE	A	B	C	D	E	RANGE ϕ	L
RS 75 PE	85	4	6	75	1	0+24-54	77	RS 75 PE WOC	85	4	6	75	0	24-54	77
RS 100 PE	100	4	6	100	1	0+48-70	77	RS 100 PE WOC	100	4	6	100	0	48-70	77
RS 125 PE	125	5	6	125	1	0+66-98	79	RS 125 PE WOC	125	5	6	125	0	66-98	79
								RS 150 PE WOC	150	5	8	150	0	93-119	79


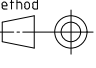


Item	Qty	Designation	Specification	Net Weight
8	1	INSTALLATION INSTRUCTION		
7	1	ROXTEC LUBRICANT	10 ML	
6	E	CORE	ROXYLON	
5	2	CONDUCTIVE TAPE	TINPLATED COPPER	
4	C	SCREW	MC6S A4	
3	2	RUBBER FRAME	ROXYLON	
2	2	REAR FITTING	ACID PROOF STAINLESS STEEL	
1	2	FRONT FITTING	ACID PROOF STAINLESS STEEL	

NOTE:

The range of the Roxtec Seal indicates the smallest possible diameter of the dismantled cable screen to the largest possible diameter of the cable mantle.

D	ALLEN KEY TOOL DISCONTINUED.	2021-10-18	se-mikgru
Rev	Type of revision	Date	Sign

General tolerances used for manufacturing shown in document DOC-002180		Designed by se-joahel	Created Date 2004-01-13	Latest save date 2021-10-18	Format A3	Scale 1:2	Sheet no	Total Weight -
 Roxtec www.roxtec.com		Title RS PE SEALS RS 75-150 PE Restricted due to			Drawing number S1005805		Projection method 	Rev D