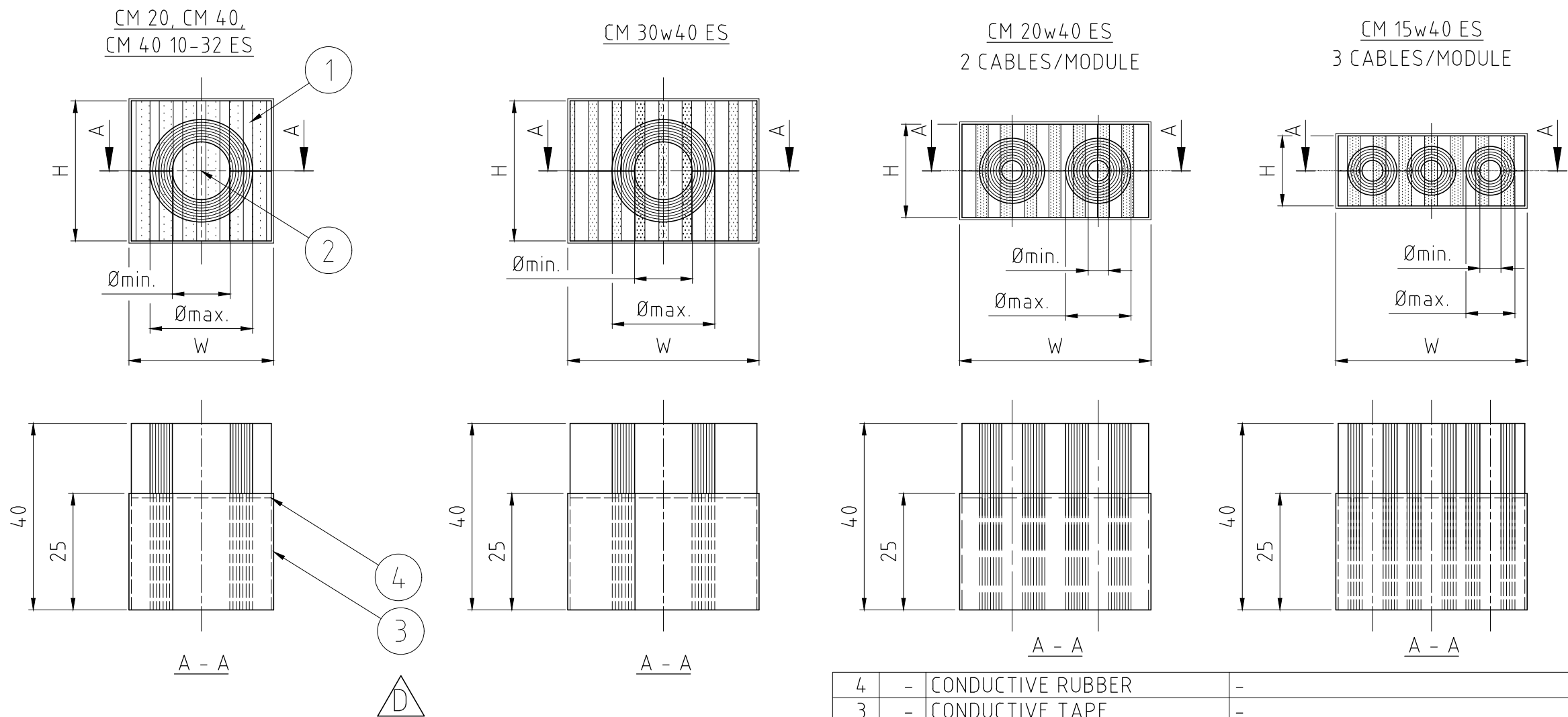


格克赛克保留所有权利。未经授权严禁复制，
使用以及向第三方泄漏。

All rights reserved. Unauthorized reproduction, use
or disclosure to third parties is strictly forbidden.

TYPE	W (MM)	H (MM)	Ømin. (MM)	Ømax. (MM)
CM 15w40 ES	40	15	3.5	10.5
CM 20 ES	20	20	4	14.5
CM 20w40 ES	40	20	3.5	16.5
CM 30w40 ES	40	30	10	25
CM 40 ES	40	40	21.5	34.5
CM 40 10-32 ES	40	40	9.5	32.5



NOTE:

The range of the Roxel Module indicates the smallest possible diameter of the dismantled cable screen to the largest possible diameter of the cable mantle.

4	-	CONDUCTIVE RUBBER	-	-	
3	-	CONDUCTIVE TAPE	-	-	
2	-	CORE	ROXYLON	-	
1	-	RUBBER	ROXYLON	-	
Item	Qty	Designation	Specification	NetWeight	
ROXTEC INTERNATIONAL AB BOX 540 S-371 23 Karlskrona TEL: +46 455 366700 FAX: +46 455 82012		Designed by se-joahel Approved by se-maggus	Created Date 2004-01-07 Approved Date 2020-10-05 Title CM ES MODULES EMC ASSEMBLY	General tolerance ISO 2768-1/2-m/K EN ISO 13920-BF Welded details EN ISO 5817-B EN ISO 10042-B General surface roughness, Ra 12,5	TotWeight -
		Format Scale 1:1 Restricted due to Information drawing	Drawing number S1005791	Projection method 	Rev D

D	CONDUCTIVE TAPE/RUBBER ADDED	2020-10-05	se-henols
Rev	Type of revision	Date	Sign

Information drawings show general design and nominal dimensions if not else stated