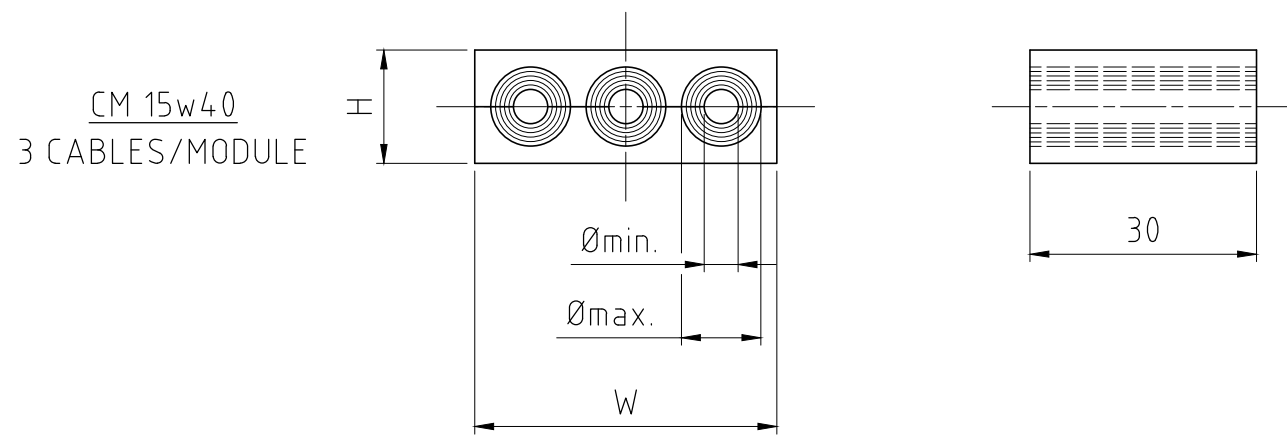
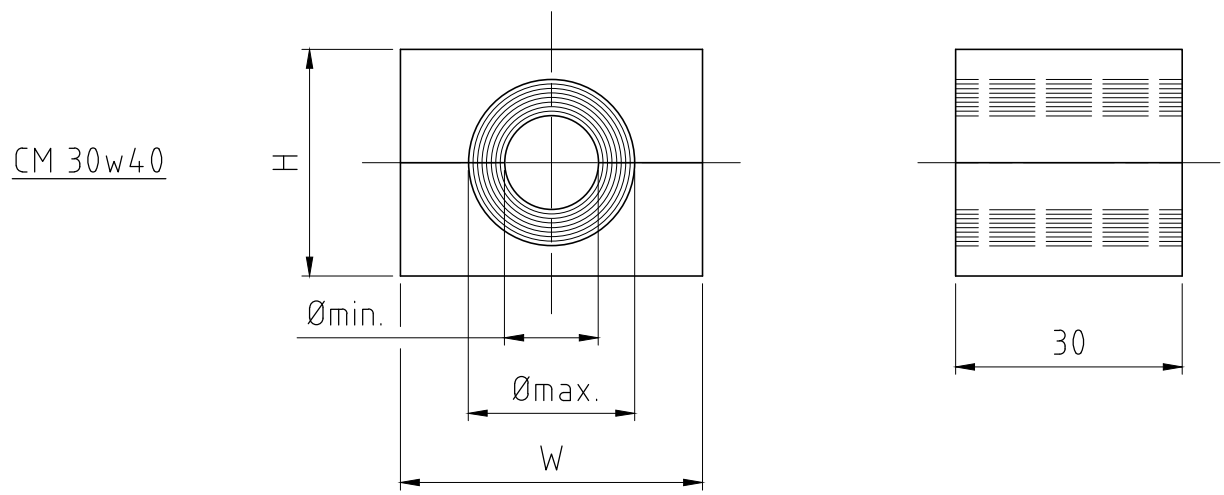
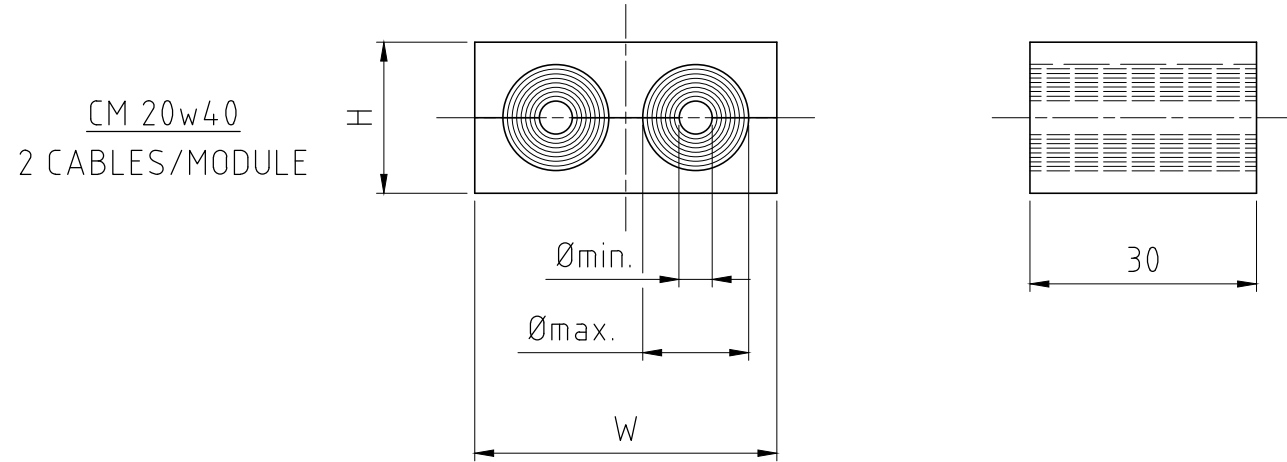
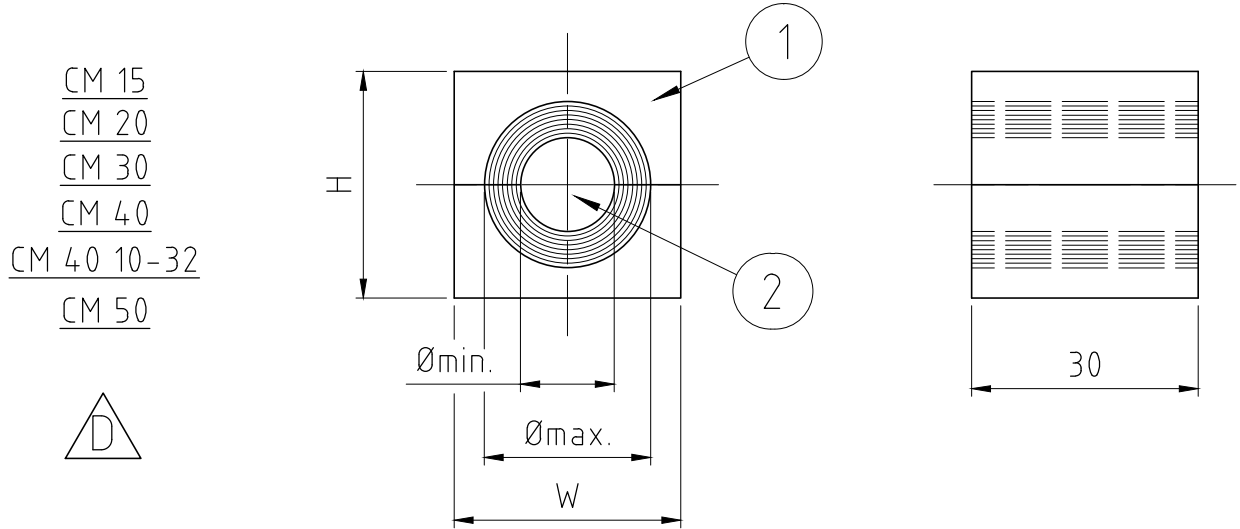


洛克赛克保留所有权利。未经授权严禁复制，使用以及向第三方泄露。

All rights reserved. Unauthorized reproduction, use or disclosure to third parties is strictly forbidden.

Rev 3.0

TYPE	H (MM)	W (MM)	Ømin. (MM)	Ømax. (MM)														
CM 15	15	15	3	11														
CM 15w40	15	40	3.5	10.5														
CM 20	20	20	4	14.5														
CM 20w40	20	40	3.5	16.5														
CM 30	30	30	10	25														
CM 30w40	30	40	25	CM 40	40	40	21.5	34.5	CM 40 10-32	40	40	9.5	32.5	CM 50	50	50	28	44
CM 40	40	40	21.5	34.5														
CM 40 10-32	40	40	9.5	32.5														
CM 50	50	50	28	44														



D	DRAWING UPDATED	2022-10-26	se-ricthi
Rev	Type of revision	Date	Sign

2	-	CORE	ROXYLON	
1	-	RUBBER	ROXYLON	
Item	Qty	Designation	Specification	Net Weight
General tolerances used for manufacturing shown in document DOC-002180		Designed by	Created Date	Latest save date
		se-joahel	2003-12-29	2022-10-26
		Title	Format	Scale
		CM MODULES	A3	1:1
		ASSEMBLY	Sheet no	Tot Weight
		Restricted due to		-
		Information drawing	Drawing number	Projection method
			S1005784	
			Rev	D

Information drawings show general design and nominal dimensions if not else stated