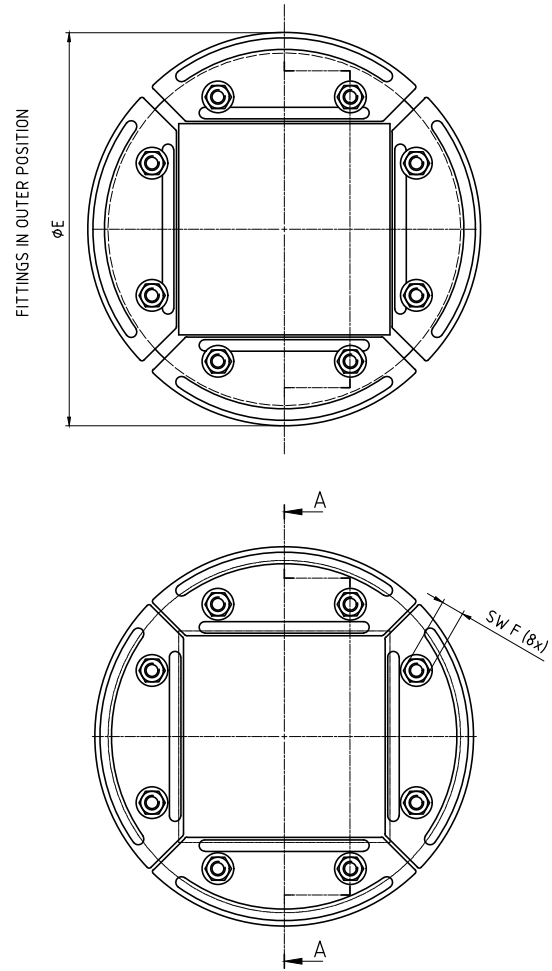
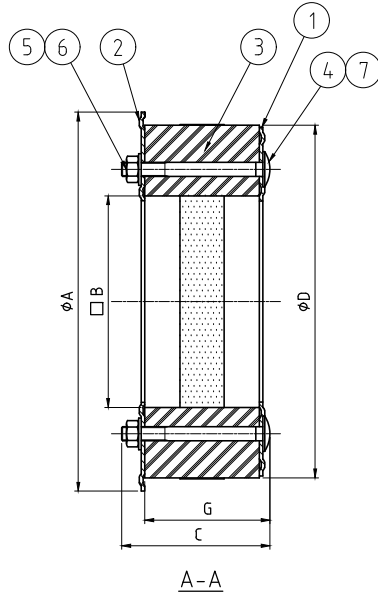
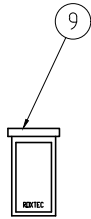
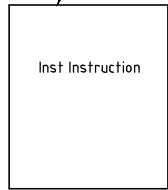
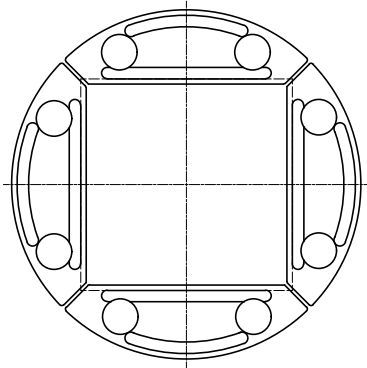


熔克塞克保留所有权利。未经授权严禁复制、使用以及向第三方泄露。

All rights reserved. Unauthorized reproduction, use or disclosure to third parties is strictly forbidden.

Rev 2.0

TYPE	A	B	C	D	E	F	G
R 125 EMC	142	80	85	125	14.8	10	72
R 127 EMC	142	80	85	127	14.8	10	72
R 150 EMC	165	90	85	150	171	13	73
R 200 EMC	215	120	85	200	223	13	73



Item	Qty	Designation	Specification	Net Weight
9	1	LUBRICANT	TALLOW 25ml	-
8	1	INSTALLATION INSTRUCTION		-
7	8	GASKET MVBF	EPDM	-
6	8	WASHER	A4	-
5	8	NUT	A4	-
4	8	OVAL HEAD SCREW	A4	-
3	1	RUBBER FRAME	ROXYLON	-
2	4	FRONT FITTING	ACID PROOF STAINLESS STEEL	-
1	4	REAR FITTING	ACID PROOF STAINLESS STEEL	-

General license	Model details	General terms	Designed by	Created date	Approved by	Approved date	Format	Scale	Net weight
EN ISO 9001:2015	EN ISO 9001:2015	EN ISO 9001:2015	se-joahel	2003-12-29	se-jenboh	2021-08-26	A4	1:2	
Roxtec www.roxtec.com			Title R 125-200 EMC ASSEMBLY		Restricted due to Information drawing		Drawing number S1005778		Projection method E

Rev	Type of revision	Date	Sign
E	GALVANIZED STEEL MATERIAL REMOVED	2021-08-26	se-henols

Information drawings show general design and nominal dimensions if not else stated