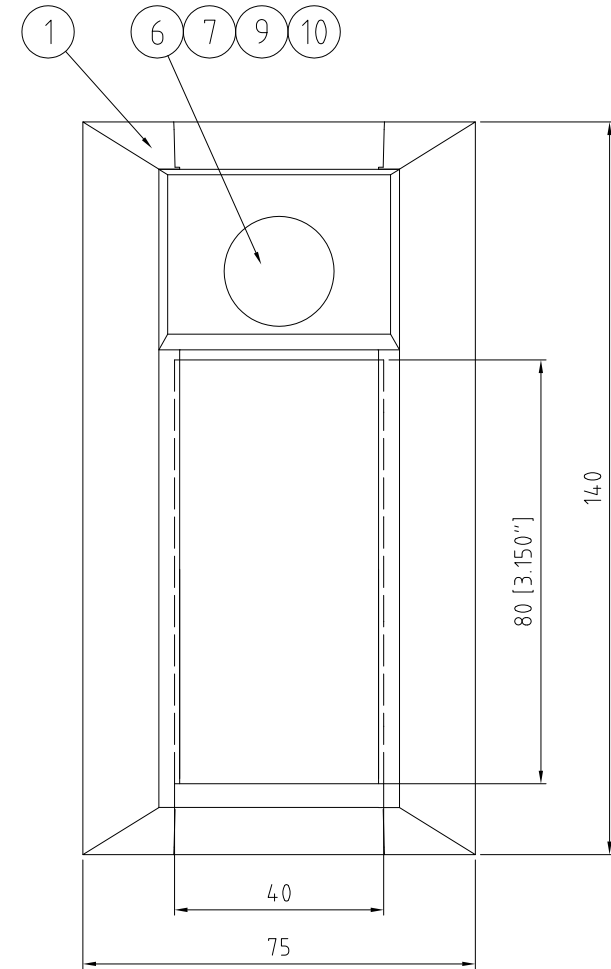
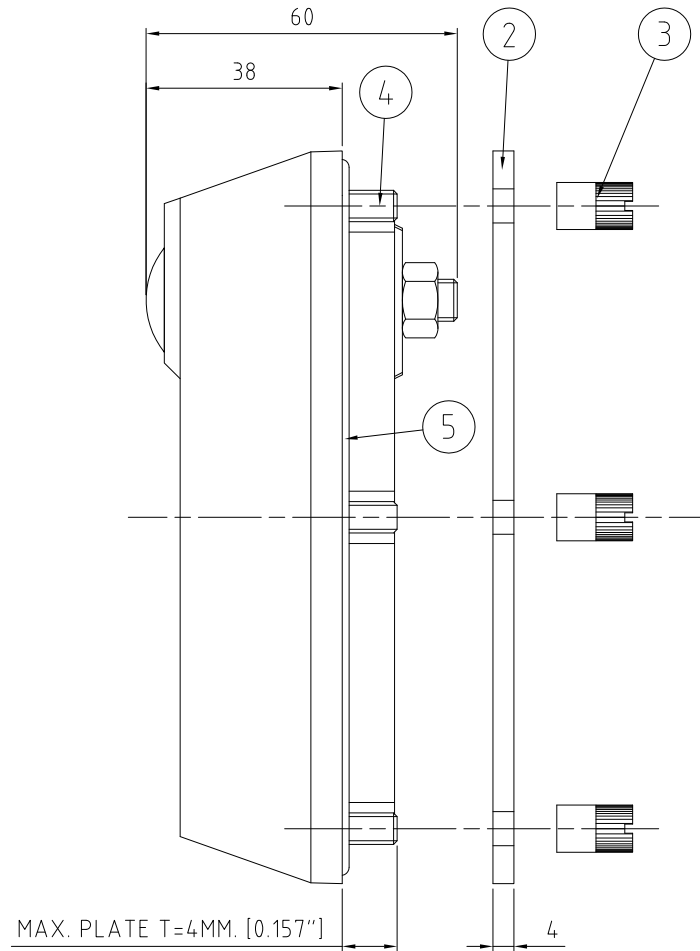
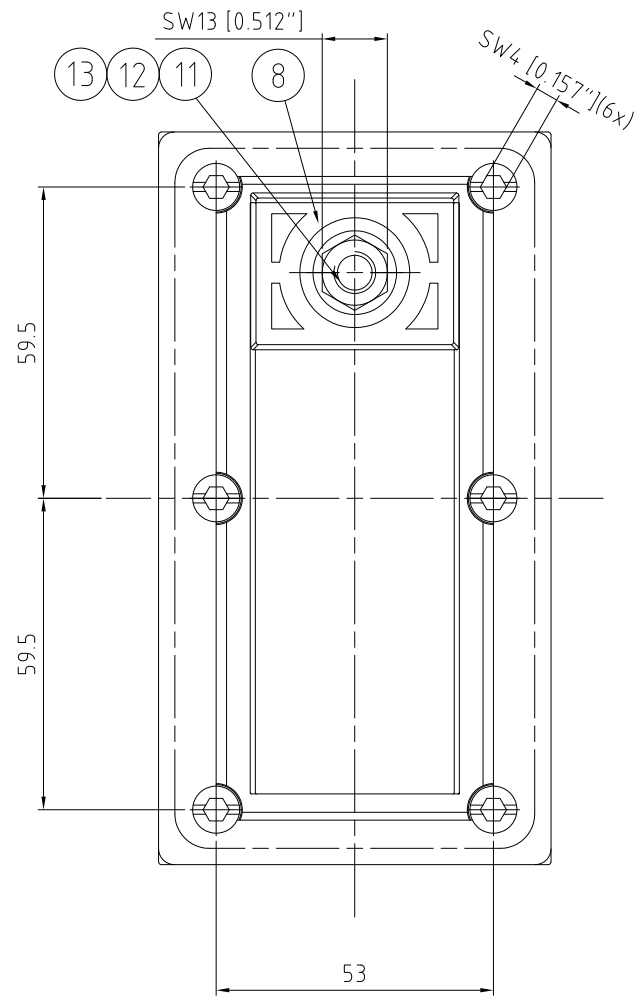


MATERIAL AND SURFACE TREATMENT  
 MATERIAL ALUMINIUM  
 CHEMICAL NICKELPLATED



| Item | Qty | Designation        | Specification                | Net Weight |
|------|-----|--------------------|------------------------------|------------|
| 13   | 1   | WASHER             | DIN 125A RB M8 A4            | -          |
| 12   | 1   | NUT                | DIN 934 M6M M8 A4            | -          |
| 11   | 1   | SCREW              | DIN603 MVBFB M8x55           | -          |
| 10   | 1   | GLUE               | MS-POLYMER VISCOSEAL 6958 R  | -          |
| 9    | 1   | MVBFB GASKET       | EPDM                         | -          |
| 8    | 1   | WASHER             | PA66 25GF                    | -          |
| 7    | 1   | COMPRESSION RUBBER | ROXYLON                      | -          |
| 6    | 1   | COVER              | ALUMINIUM CHEM. NICKELPLATED | -          |
| 5    | 1   | O-RING             | Ø3 L=355, NBR                | -          |
| 4    | 6   | PIN SCREW          | DIN 913, M6x22 A2            | -          |
| 3    | 6   | NUT                | SS 2346                      | -          |
| 2    | 1   | EXTENSION          | ALUMINIUM CHEM. NICKELPLATED | -          |
| 1    | 1   | CF 8 FRAME         | ALUMINIUM CHEM. NICKELPLATED | -          |



| ROXTEC INTERNATIONAL AB   |  | Designed by       | Created Date  | General tolerance                 | Welded details                  | General surface | Net Weight |
|---|--|-------------------|---------------|-----------------------------------|---------------------------------|-----------------|------------|
| BOX 540 S-371 23 Kartskrona<br>TEL: +46 455 366700 FAX: +46 455 82012 |  | se-joahel         | 2003-12-29    | ISO 2768-12-mK<br>EN ISO 13070-BF | EN ISO 5817-B<br>EN ISO 10042-B | 12.5            | -          |
|   |  | Approved by       | Approved Date | Title                             |                                 | Projection      |            |
|   |  | adv               | 2013-04-19    | CF 8                              |                                 | method          |            |
|   |  | Format            | Scale         | ASSEMBLY                          |                                 | Rev             |            |
|   |  | A2                | 1:1           | Drawing number                    |                                 | D               |            |
|   |  | Restricted due to |               | Information Drawing               |                                 | S1005777        |            |

| Rev | Type of revision                         | Date       | Sign      |
|-----|--|------------|-----------|
| D   | GASKET CHANGED FROM O-RING TO MVBFB TYPE | 2013-04-19 | se-henols |

格克塞克保留所有权利。未经授权严禁复制，使用以及向第三方泄露。

All rights reserved. Unauthorized reproduction, use or disclosure to third parties is strictly forbidden.