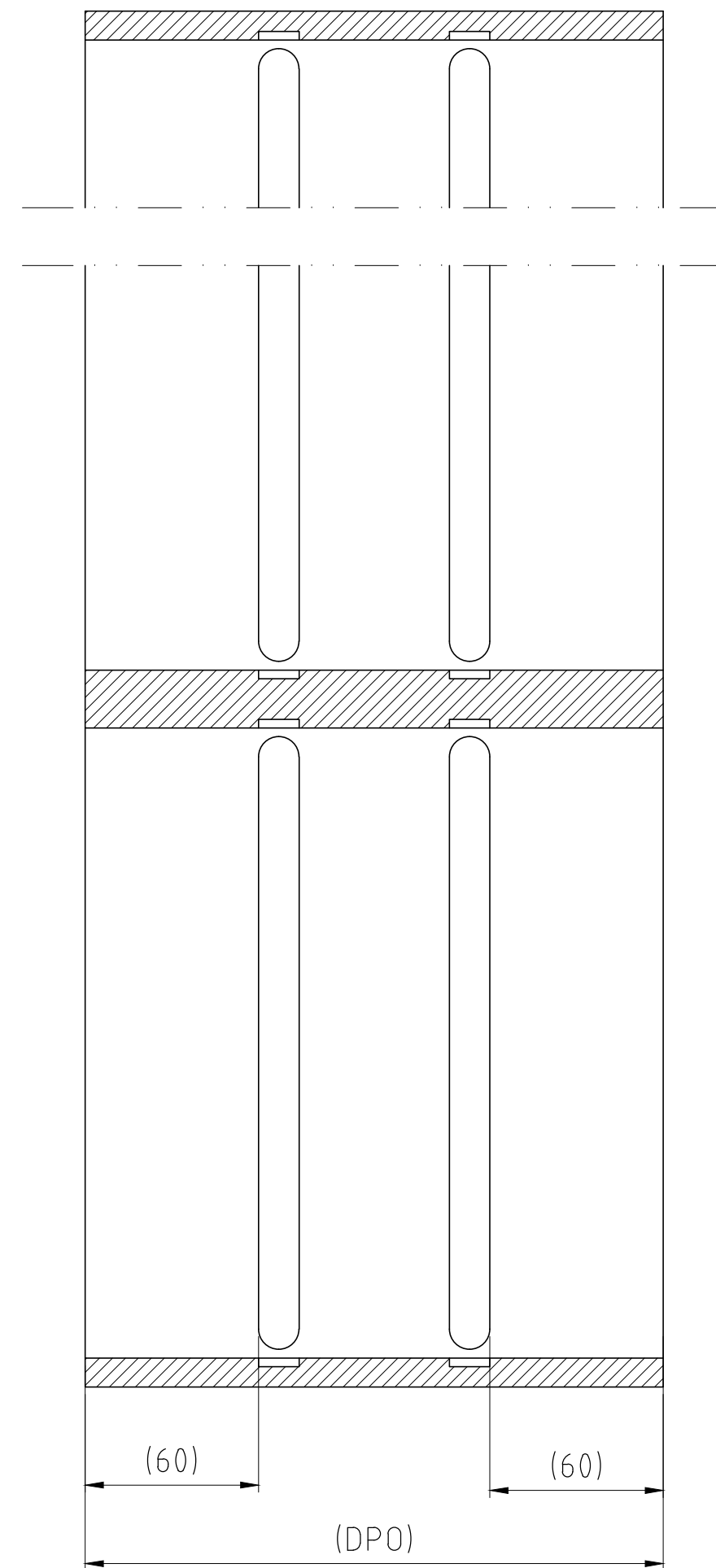
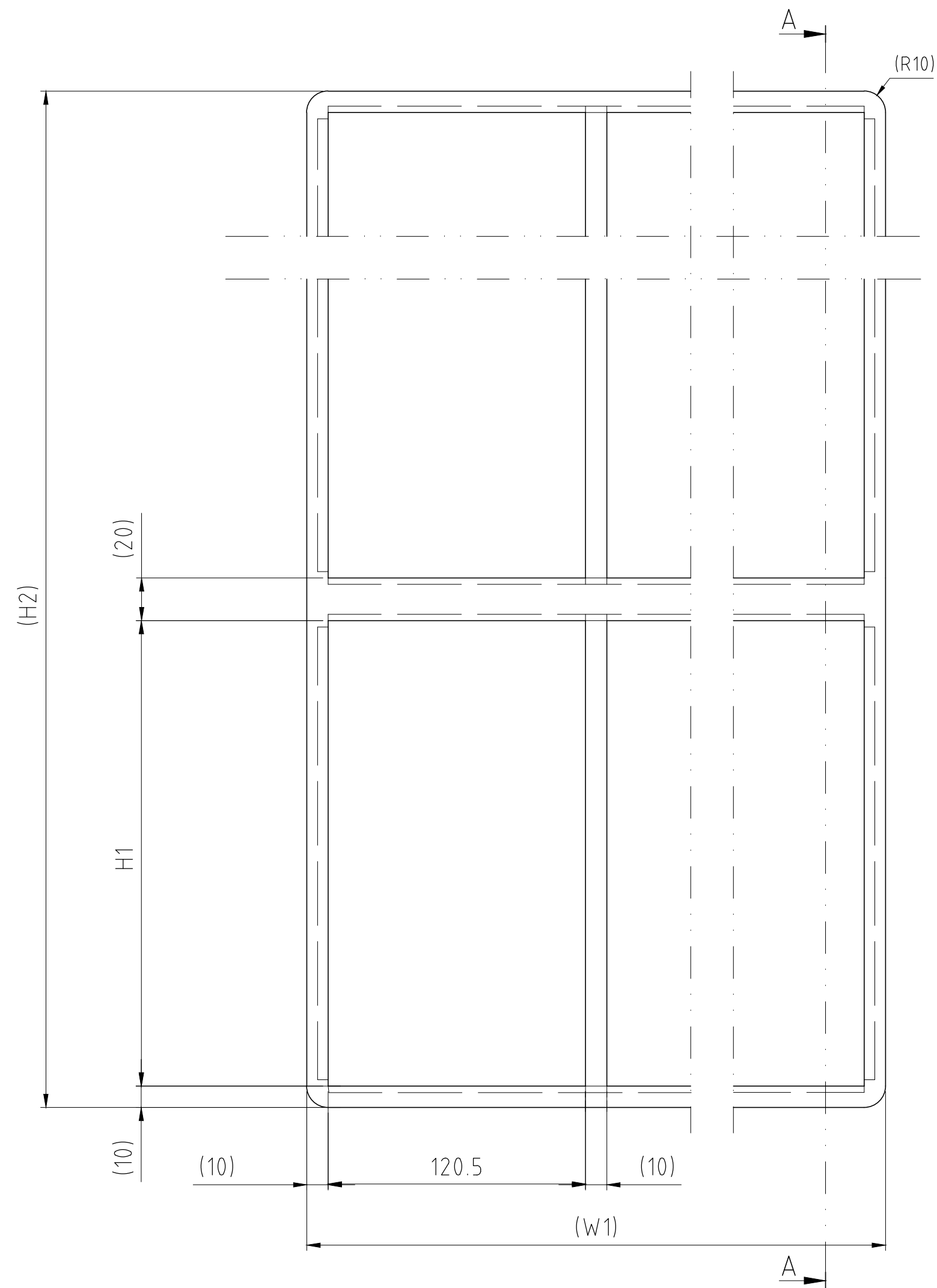


所有权利保留。未经授权严禁复制或向第三方泄露。

All rights reserved. Unauthorized reproduction, use or disclosure to third parties is strictly forbidden.

Rev 2.0



DPO= DIMENSION VIA PURCHASE ORDER
STANDARD DPO = 200

COMBINATION:

TYPE	H1 (mm)	H2 (mm)
SBTB 2+2xN	101	242
SBTB 4+4xN	159.5	359
SBTB 6+6xN	218	476
SBTB 8+8xN	278	596
SBTB 2+2+2xN	101	363
SBTB 4+4+4xN	159.5	538.5
SBTB 6+6+6xN	218	714
SBTB 8+8+8xN	278	894
SBTB 2+2+2+2xN	101	484
SBTB 4+4+4+4xN	159.5	718
SBTB 6+6+6+6xN	218	952
SBTB 8+8+8+8xN	278	1192

WIDTH:

TYPE	W1 (mm)
x2	271
x3	401.5
x4	532
x5	662.5
x6	793
x7	923,5
x8	1054
x9	1184,5
x10	1315

SPECIAL COMBINATION:

COMB.	SIZE (mm)	W (mm)	H2 (mm)
xN	H1	130,5xN+10	Rx(H1+20)

R=TOTAL NUMBERS OF ROWS

F	UPDATED TITLE BORDER	2019-05-03	se-linado
Rev	Type of revision	Date	Sign

Item	Qty	Designation	Specification				NetWeight	
General tolerances used for manufacturing shown in document 00C-00780		Designed by	Created Date	Latest save date	Format	Scale	Sheet no	TotWeight
		se-luckri	2003-12-19	2019-05-07	A2	1:2		-
www.roxtec.com		Title SBTB FRAME (M) + COMBINATION FRAME				Projection method	Rev	
		Restricted due to Information drawing				Drawing number		F
						S1005766		

Information drawings show general design and nominal dimensions if not else stated