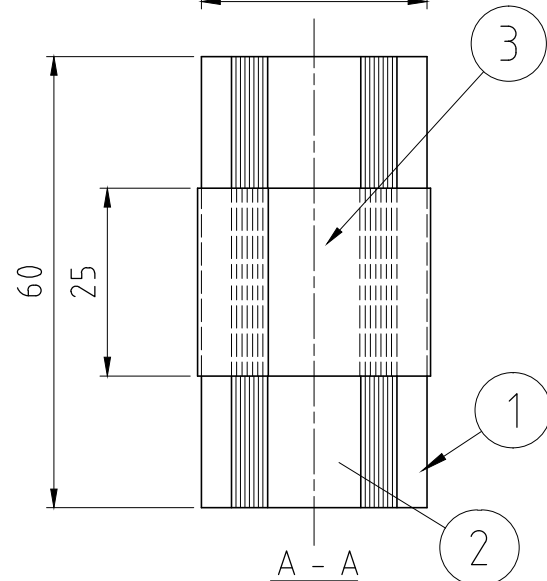
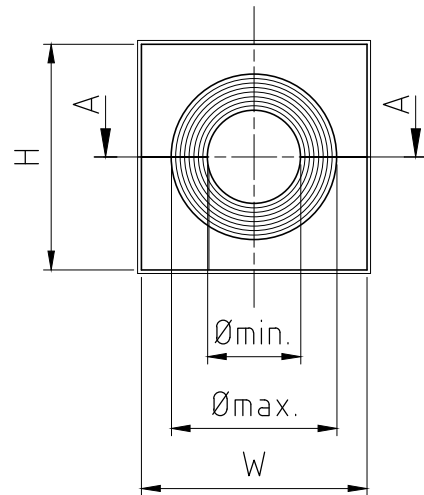


洛克赛克保留所有权利。未经授权严禁复制、使用以及向第三方泄露。

All rights reserved. Unauthorized reproduction, use or disclosure to third parties is strictly forbidden.

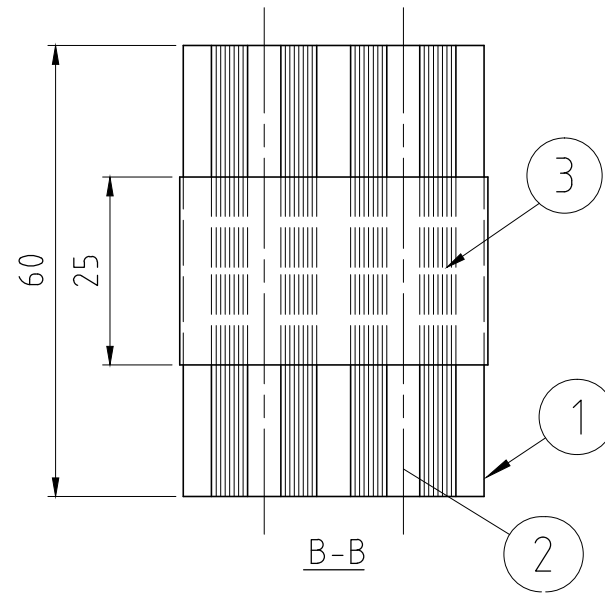
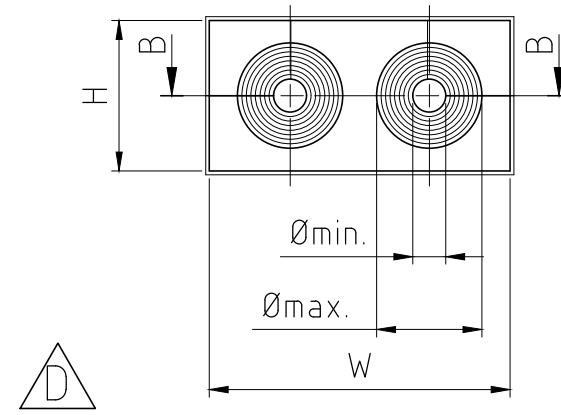
TYPE	W (MM)	H (MM)	Ø CABLE (mm)	MODULE TYPE
RM 15 PE	15	15	0+3-11	1
RM 15w40 PE	40	15	0+3.5-10.5	3
RM 20 PE	20	20	0+4-14.5	1
RM 20w40 PE	40	20	0+3.5-16.5	2
RM 30 PE	30	30	0+10-25	1
RM 30H90 PE	30	90	0+10-25	1
RM 40 PE	40	40	0+21.5-34.5	1
RM 40H80 PE	40	80	0+21.5-34.5	1
RM 40 10-32 PE	40	40	0+9.5-32.5	1
RM 60 PE	60	60	0+28-54	1
RM 60 24-54 PE	60	60	0+24-54	1
RM 60 PE WOC	60	60	28-54	1
RM 80 PE WOC	80	80	48-71	1
RM 90 PE WOC	90	90	48-71	1
RM 120 PE WOC	120	120	67.5-99	1

1 CABLE/MODULE
MODULE TYPE 1

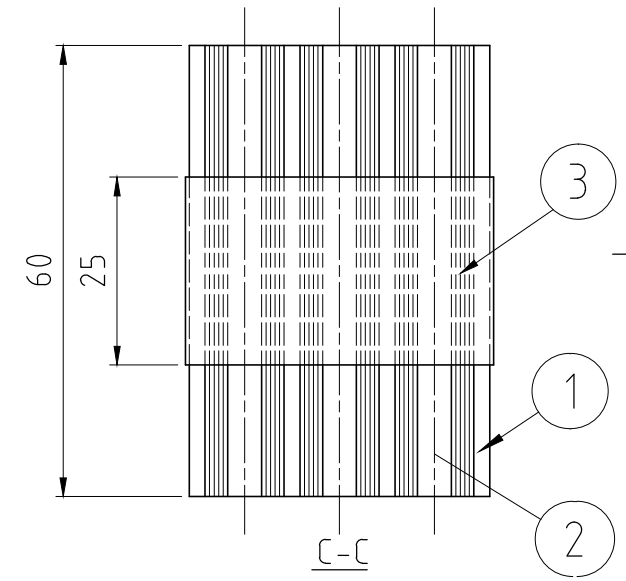
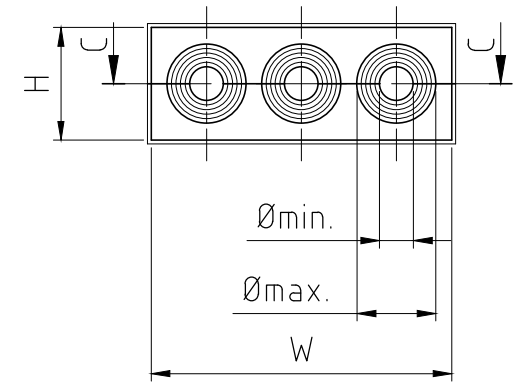


NOTE:
WOC= WITHOUT CENTER CORE

2 CABLES/MODULE
MODULE TYPE 2



3 CABLES/MODULE
MODULE TYPE 3



NOTE:

The range of the Roxtec Module indicates the smallest possible diameter of the dismantled cable screen to the largest possible diameter of the cable mantle.

3	-	CONDUCTIVE TAPE	-	-
2	-	CORE	ROXYLON	-
1	-	RUBBER	ROXYLON	-
Item	Qty	Designation	Specification	Net Weight
ROXTEC INTERNATIONAL AB		Designed by	Created Date	General Tolerance
BOX 540 S-371 23 Karlskrona		tc_service	2003-12-17	ISO 2768-1/2-M/K
TEL: +46 455 366700 FAX: +46 455 82012		Approved by	Approved Date	Welded details
		se-milkar	2016-12-20	EN ISO 5817-B
		Format	Scale	General surface roughness, Ra
		A3	1:1	EN ISO 10042-B
		Title		Projection method
		RM PE MODULES EMC		1st angle
		ASSEMBLY		
		Drawing number		Rev
		S1005752		D

D	RM 40H80 PE,MODULE TYPE,NOTE ADDED	2016-12-20	se-henols
Rev	Type of revision	Date	Sign