

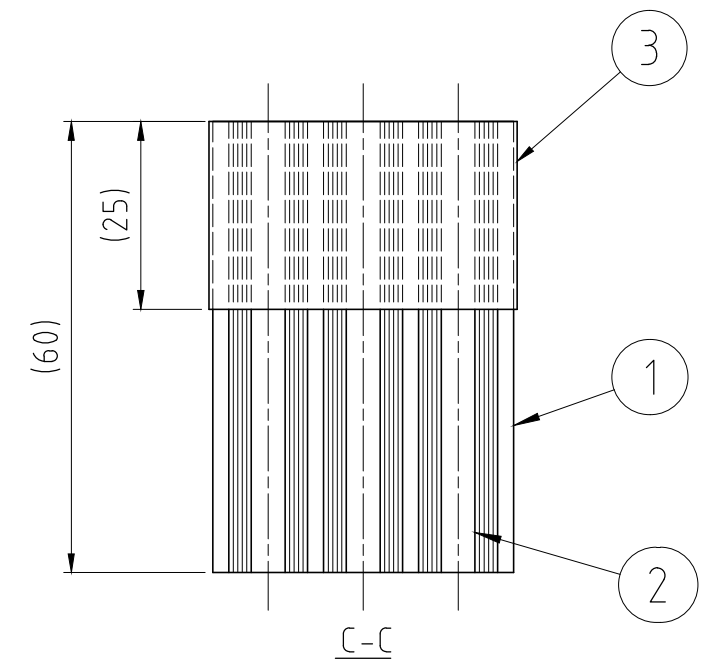
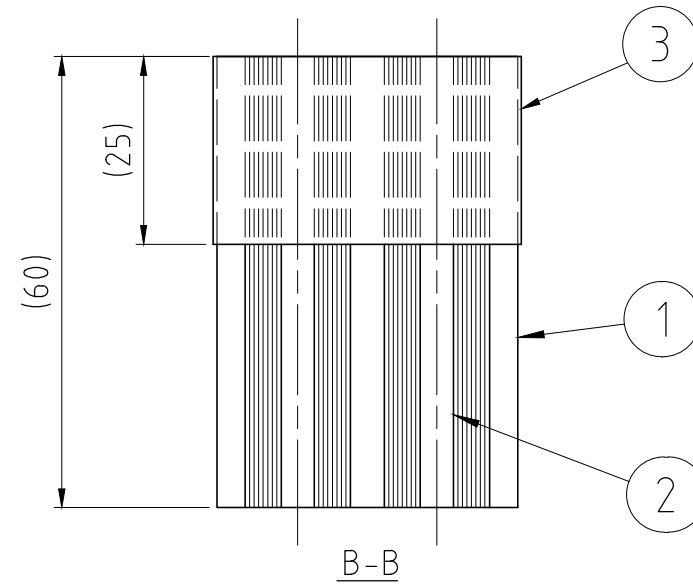
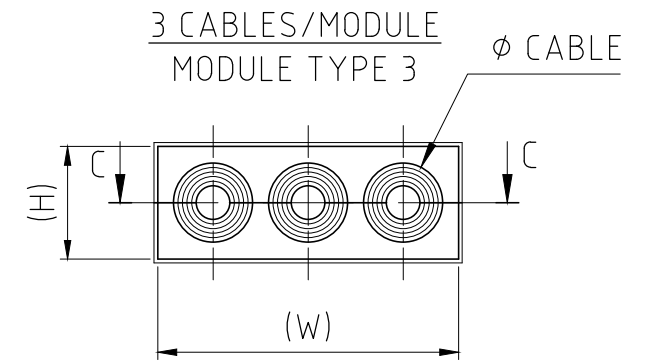
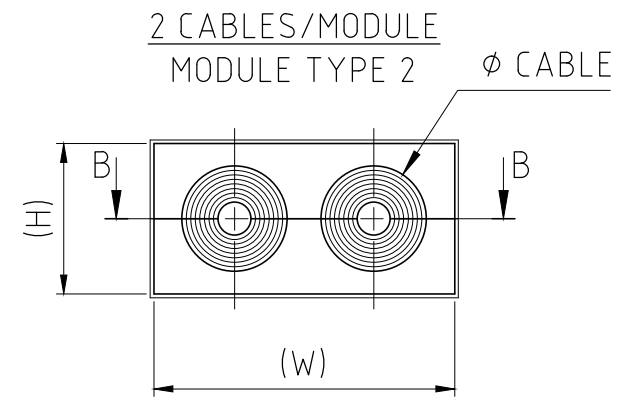
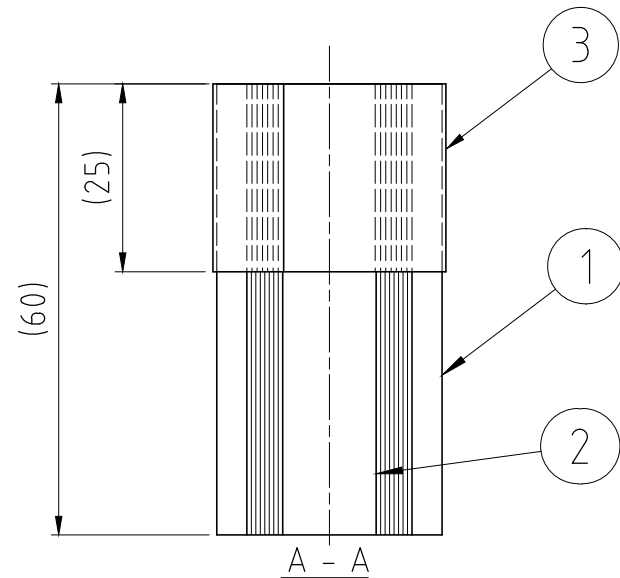
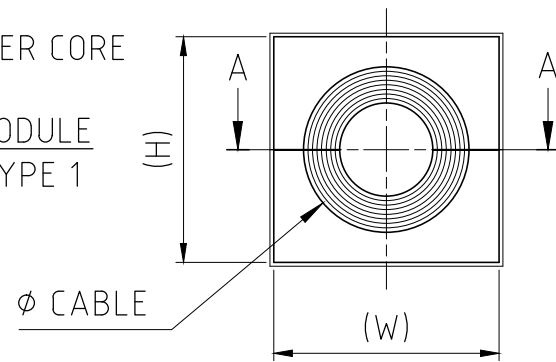
烙克赛克保留所有权利。未经授权严禁复制，使用以及向第三方泄露。

All rights reserved. Unauthorized reproduction, use or disclosure to third parties is strictly forbidden.

TYPE	W (mm)	H (mm)	CABLE Ø (mm)	MODULE TYPE
RM 15 PE B	15	15	0+3 - 11	1
RM 15w40 PE B	40	15	0+3.5 - 10.5	3
RM 20 PE B	20	20	0+4 - 14.5	1
RM 20w40 PE B	40	20	0+3.5 - 16.5	2
RM 30 PE B	30	30	0+10 - 25	1
RM 30H90 PE B	30	90	0+10 - 25	1
RM 40 PE B	40	40	0+21.5 - 34.5	1
RM 40H80 PE B	40	80	0+21.5 - 34.5	1
RM 40 10-32 PE B	40	40	0+9.5 - 32.5	1
RM 60 PE B	60	60	0+28 - 54	1
RM 60 24-54 PE B	60	60	0+24 - 54	1
RM 60 PE B WOC	60	60	28 - 54	1
RM 80 PE B	80	80	48 - 71	1
RM 80 PE B WOC	80	80	48 - 71	1
RM 90 PE B	90	90	48 - 71	1
RM 90 PE B WOC	90	90	48 - 71	1
RM 120 PE B WOC	120	120	67.5 - 99	1

NOTE:  
WOC = WITHOUT CENTER CORE

1 CABLE/MODULE  
MODULE TYPE 1



NOTE:

Cable φ of the Roxtec Module indicates the smallest possible diameter of the dismantled cable screen to the largest possible diameter of the cable mantle.

3	-	CONDUCTIVE TAPE	-	-
2	-	CORE	ROXYLON	-
1	-	RUBBER	ROXYLON	-
Item	Qty	Designation	Specification	Net Weight
General Tolerance		Welded details	General surface	Designed by
ISO 2768-1/2-m/K		EN ISO 5817-B	roughness, Ra	Created Date
EN ISO 13920-BF		EN ISO 10042-B	12,5	Latest save date
				Format
				Scale
				Sheet no
				TotWeight
				-
				Projection method
				Rev
				D

**Roxtec**  
www.roxtec.com

Title  
RM PE B MODULES EMC

ASSEMBLY

Restricted due to

Information drawing

Drawing number

S1005751

D	RM 80,90,40H80 PE B ADDED	2016-12-21	xx-emikul
Rev	Type of revision	Date	Sign