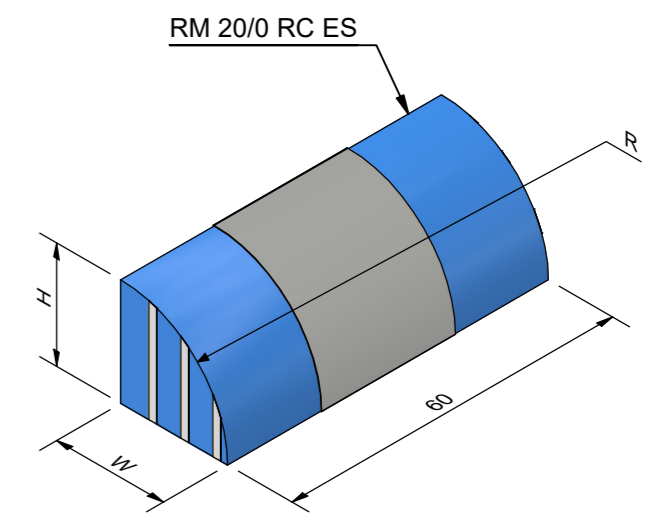
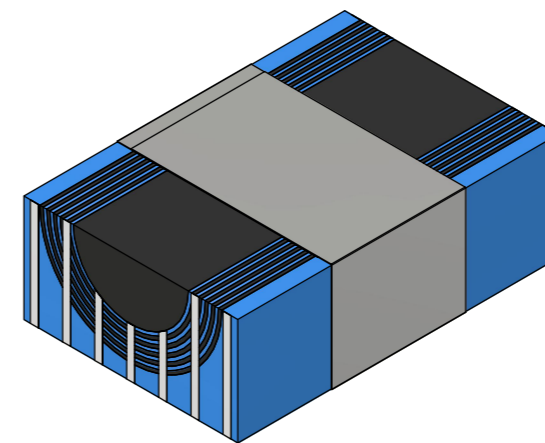
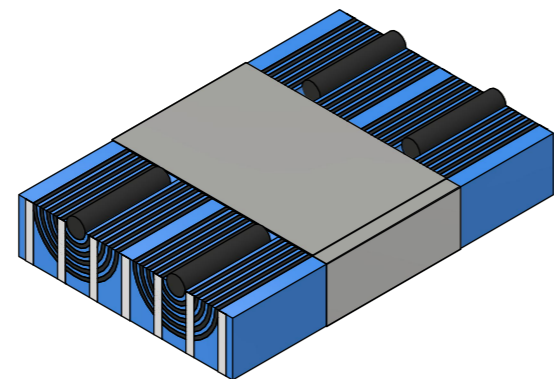
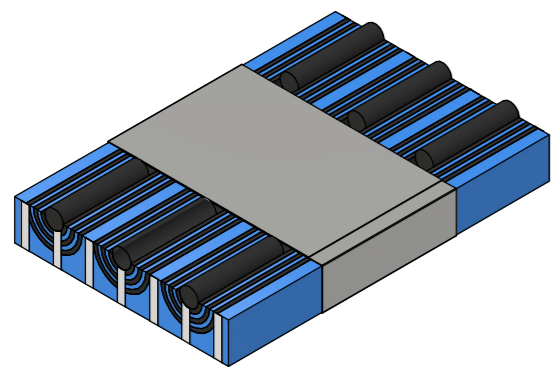
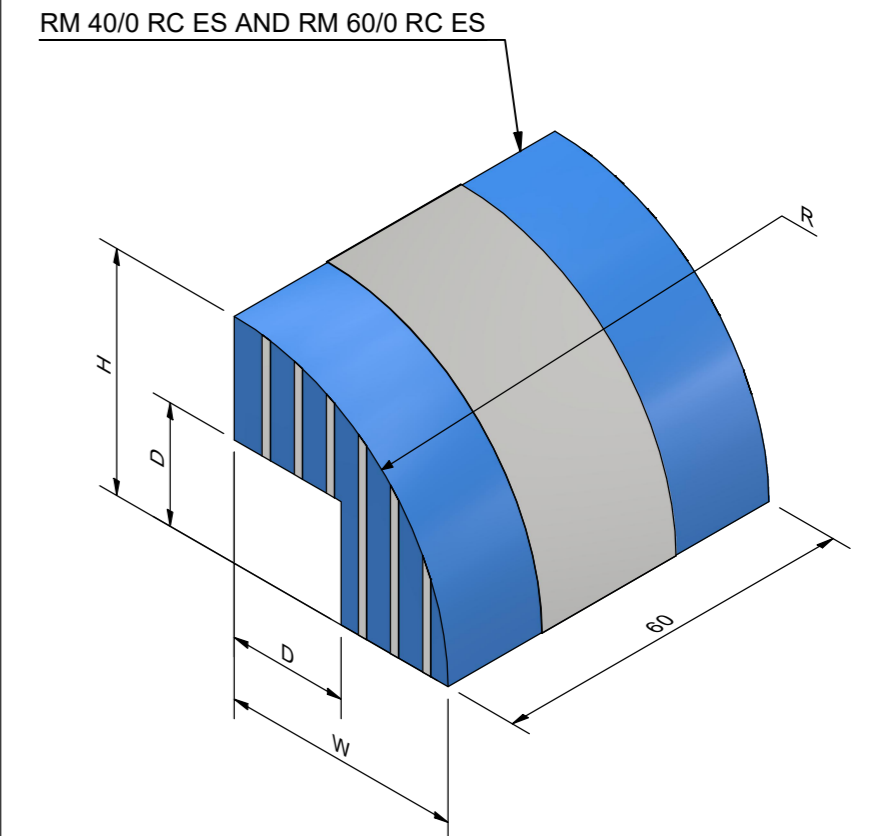
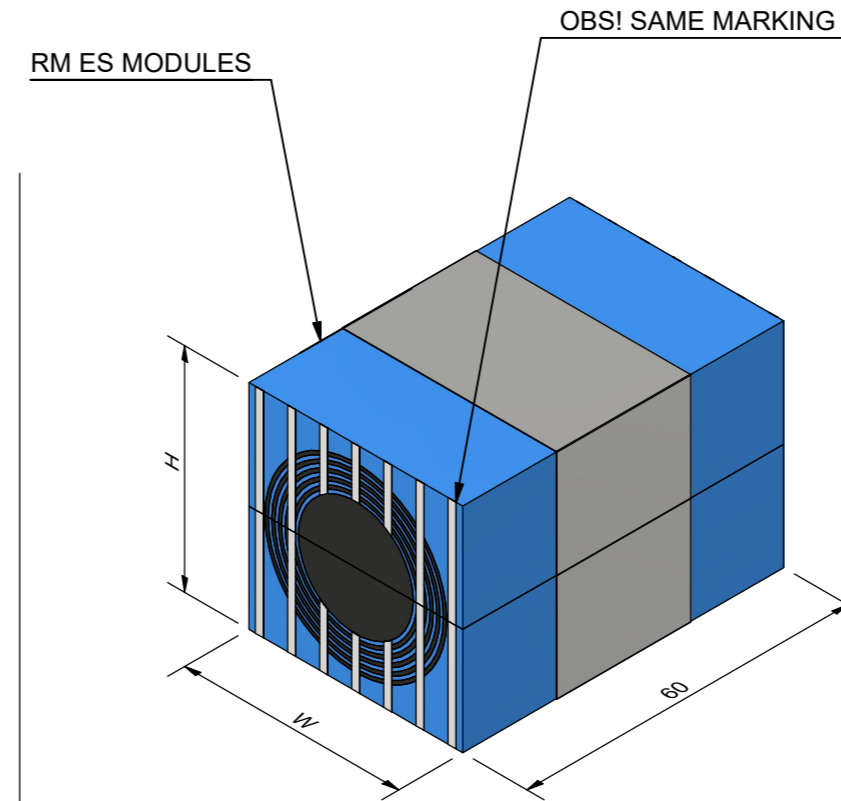
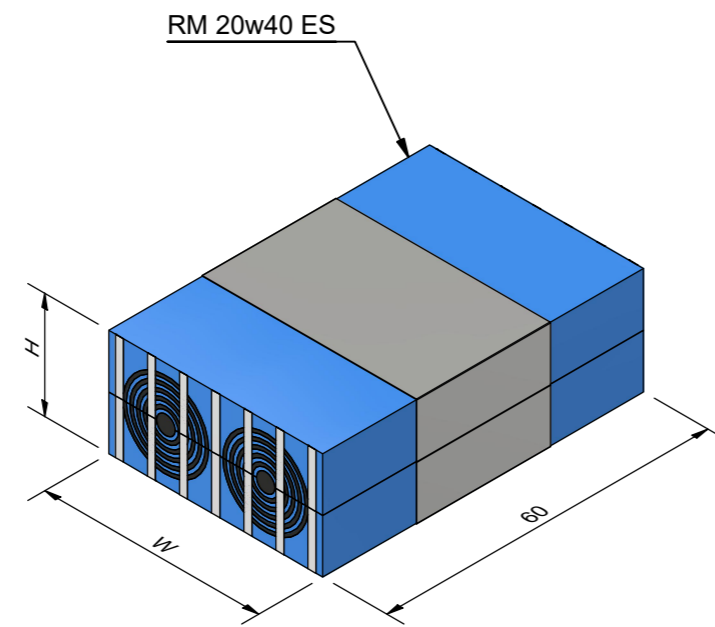
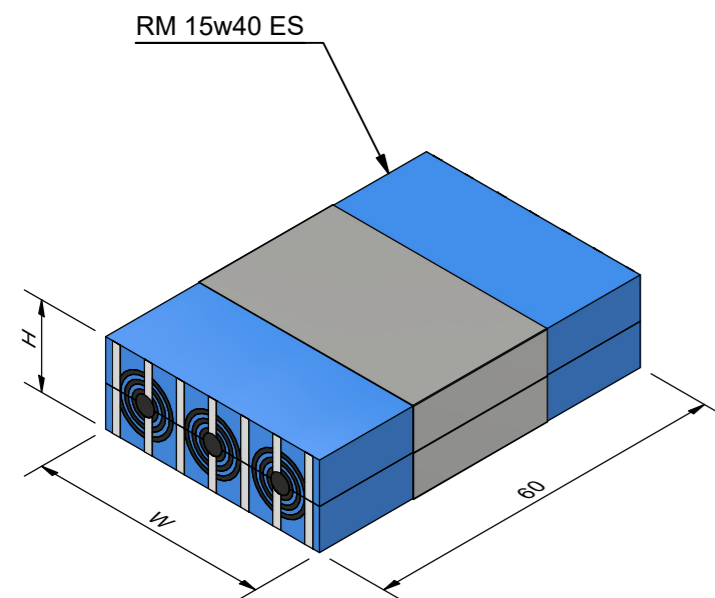
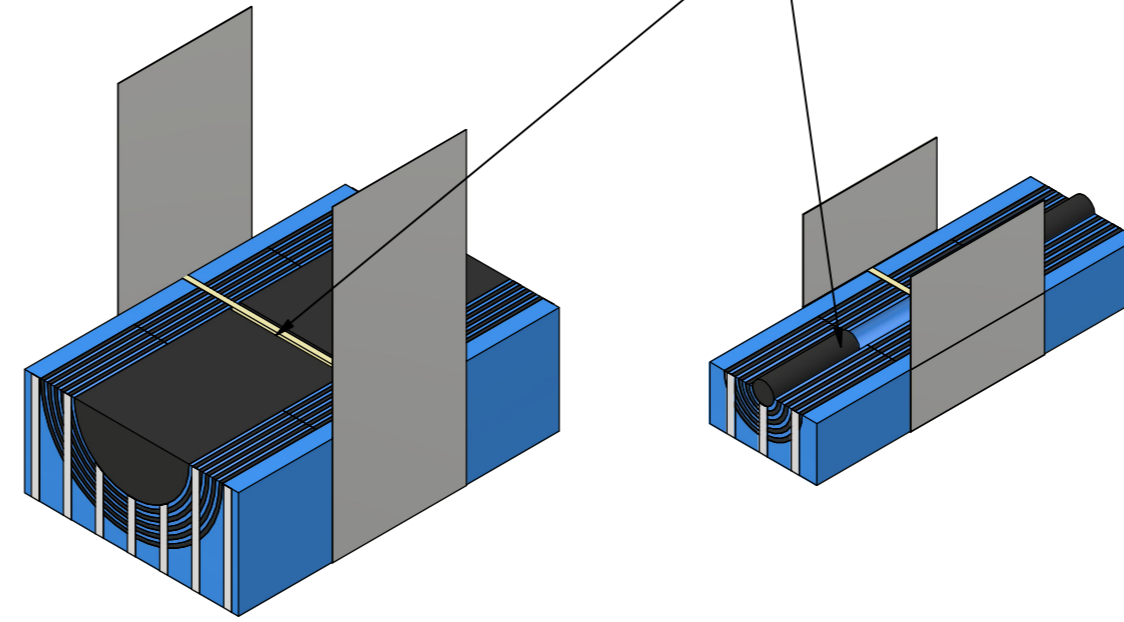


RM ES MODULES				RM ES SOLID MODULES				
TYPE	W (MM)	H (MM)	CABLE Ø (MM)	TYPE	W (MM)	H (MM)	R (MM)	D (MM)
RM 15 ES	15	15	0+3 - 11	RM 5w40/0 ES	40	5	N/A	N/A
RM 15w40 ES	40	15	0+3.5 - 10.5	RM 5w120/0 ES	120	5	N/A	N/A
RM 20 ES	20	20	0+4 - 14.5	RM 10w40/0 ES	40	10	N/A	N/A
RM 20w40 ES	40	20	0+3.5 - 16.5	RM 10w60/0 ES	60	10	N/A	N/A
RM 30 ES	30	30	0+10 - 25	RM 10w120/0 ES	120	10	N/A	N/A
RM 40 ES	40	40	0+21.5 - 34.5	RM 10/0 ES	10	10	N/A	N/A
RM 40 10-32 ES	40	40	0+9.5 - 32.5	RM 15/0 ES	15	15	N/A	N/A
RM 40H80 ES	40	80	0+21.5 - 34.5	RM 20/0 ES	20	20	N/A	N/A
RM 60 ES	60	60	0+28 - 54	RM 30/0 ES	30	30	N/A	N/A
RM 60 24-54 ES	60	60	0+24 - 54	RM 40/0 ES	40	40	N/A	N/A
RM 80 ES	80	80	0+48 - 71	RM 40H80/0 ES	40	80	N/A	N/A
RM 120 ES	120	120	0+67.5 - 99	RM 60/0 ES	60	60	N/A	N/A
RM 60 ES WOC	60	60	28 - 54	RM 20/0 RC ES	20	20	20	N/A
RM 80 ES WOC	80	80	48 - 71	RM 40/0 RC ES	40	40	40	20
RM 120 ES WOC	120	120	67.5 - 99	RM 60/0 RC ES	60	60	60	40

NOTE: WOC VERSION IS WITHOUT CORE

NOTE! CORE LENGTH VARIES BETWEEN MODULE SIZES.  
MODULES OF FOLLOWING SIZES:  
RM 15w40 ES, RM 15 ES, RM 20w40 ES AND RM 20 ES  
HAS SHORTER CORES THAT ENDS AT THE EDGE OF THE TAPE



General tolerances used for manufacturing shown in document DOC-002180		Designed by/date se-joahel 2003-12-17	Latest save date 2026-06-25	Format A2	Scale 1 : 1	Sheet no 1 / 1	TotWeight 0,1 kg
Title RM ES MODULES EMC ASSEMBLY		Restrictions due to Information drawing		Drawing number S1005750		Projection method F	
roxtec.com							

F	LAYOUT UPDATE	2025-11-13	se-vikbak
Rev	Type of revision	Date	Sign

Information drawings show general design and nominal dimensions if not else stated

All rights reserved. Unauthorized reproduction, use or disclosure to third parties is strictly forbidden.

Confidential

Rev 3.2