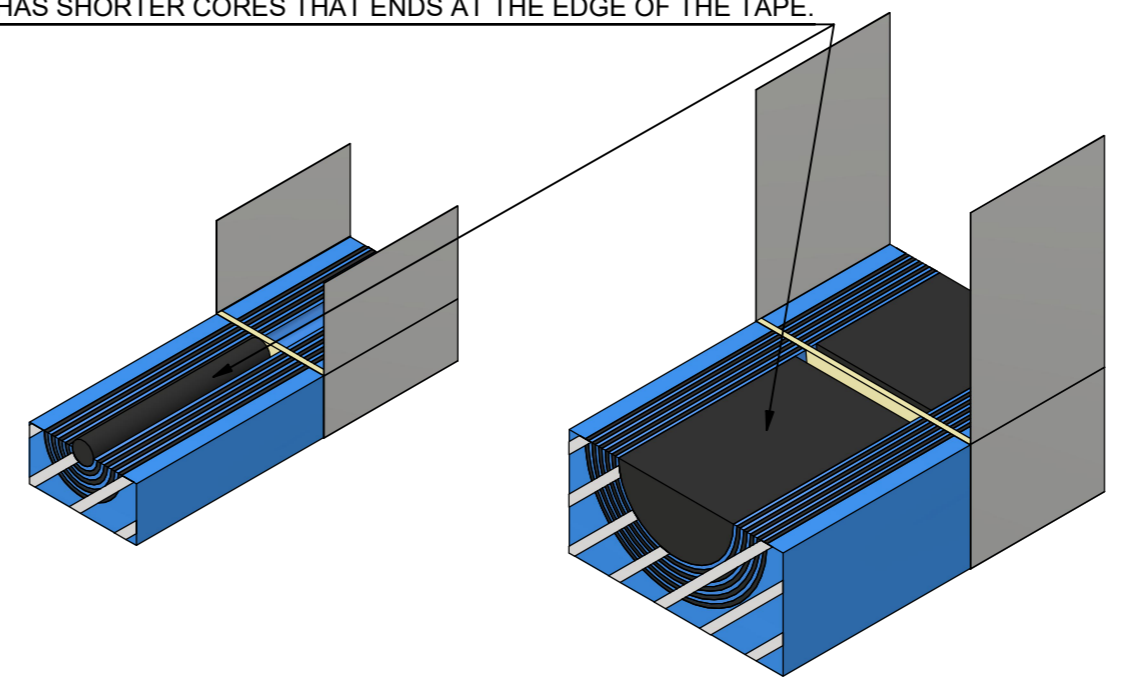


RM ES B MODULES

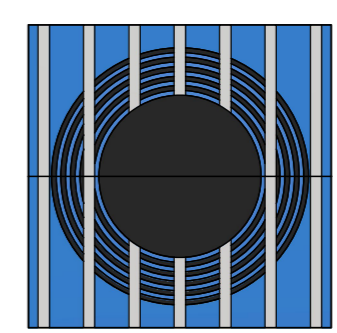
RM ES B SOLID MODULES

TYPE	W (MM)	H (MM)	CABLE Ø (MM)	TYPE	W (MM)	H (MM)	R (MM)	D (MM)
RM 15 ES B	15	15	0+3 - 11	RM 5w120/0 ES B	120	5	N/A	N/A
RM 15w40 ES B	40	15	0+3.5 - 10.5	RM 10w60/0 ES B	60	10	N/A	N/A
RM 20 ES B	20	20	0+4 - 14.5	RM 10w120/0 ES B	120	10	N/A	N/A
RM 20w40 ES B	40	20	0+3.5 - 16.5	RM 10/0 ES B	10	10	N/A	N/A
RM 30 ES B	30	30	0+10 - 25	RM 20/0 ES B	20	20	N/A	N/A
RM 40 ES B	40	40	0+21.5 - 34.5	RM 15/0 ES B	15	15	N/A	N/A
RM 40 10-32 ES B	40	40	0+9.5 - 32.5	RM 30/0 ES B	30	30	N/A	N/A
RM 40H80 ES B	40	80	0+21.5 - 34.5	RM 40/0 ES B	40	40	N/A	N/A
RM 60 ES B	60	60	0+28 - 54	RM 40H80/0 ES B	40	80	N/A	N/A
RM 60 24-54 ES B	60	60	0+24 - 54	RM 60/0 ES B	60	60	N/A	N/A
RM 80 ES B	80	80	0+48 - 71	RM 20/0 RC ES B	20	20	20	N/A
RM 120 ES B	120	120	0+67.5 - 99	RM 40/0 RC ES B	40	40	40	20
RM 60 ES B WOC	60	60	28-54	RM 60/0 RC ES B	60	60	60	40
RM 80 ES B WOC	80	80	48-71					
RM 120 ES B WOC	120	120	67.5 - 99					

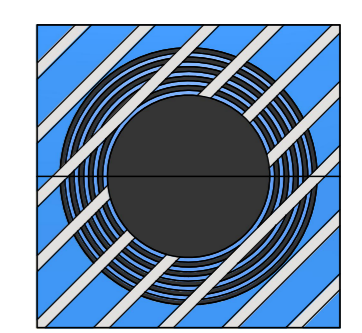
NOTE! CORE LENGTH VARIES BETWEEN MODULE SIZES.
 MODULES OF FOLLOWING SIZES:
 RM 15 ES B, RM 15w40 ES B, RM 20 ES B AND RM 20w40 ES B
 HAS SHORTER CORES THAT ENDS AT THE EDGE OF THE TAPE.



MODULE FACE MARKING



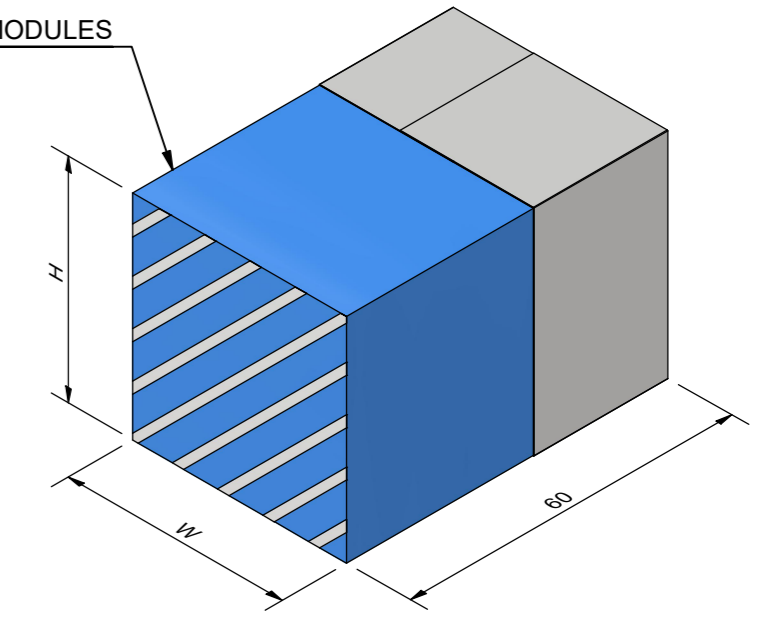
TERMINATION SIDE



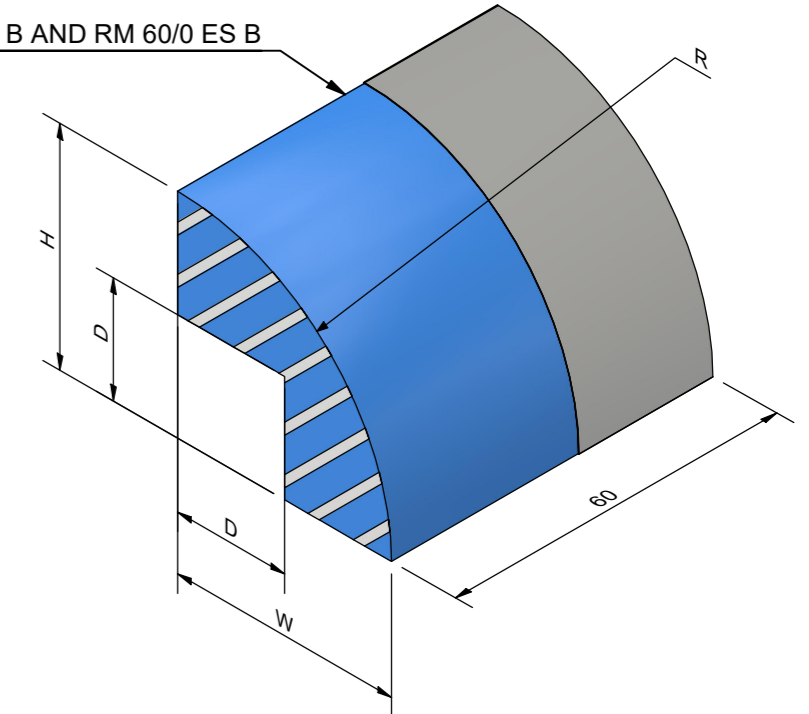
ENVIORNMENTAL SIDE

NOTE: WOC VERSION IS WITHOUT CORE

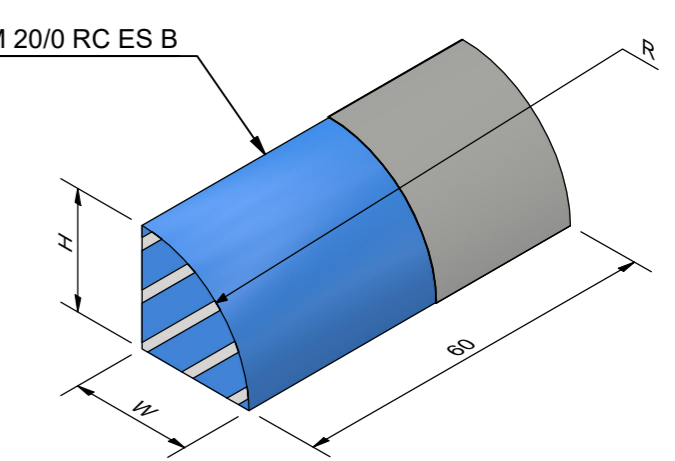
RM ES B SOLID MODULES



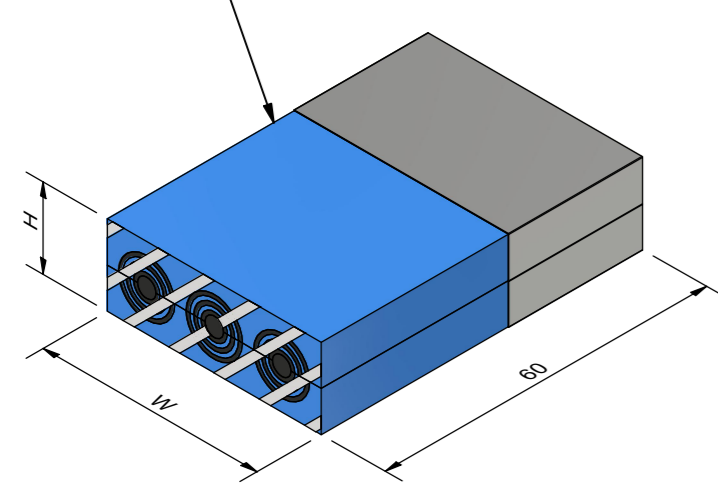
RM 40/0 RC ES B AND RM 60/0 ES B



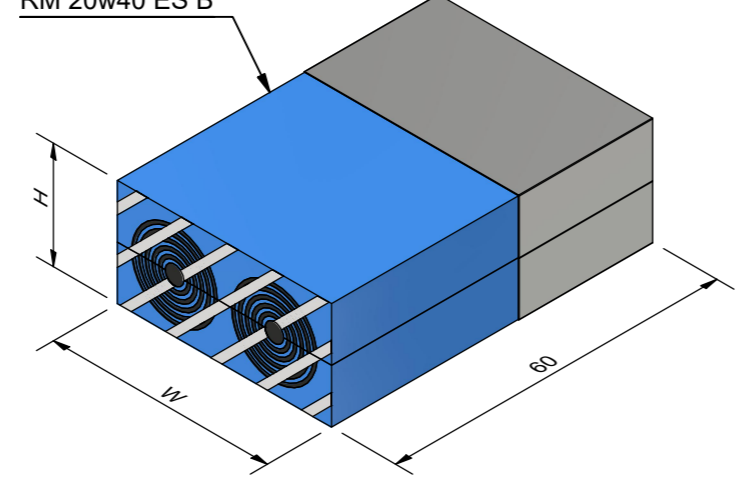
RM 20/0 RC ES B



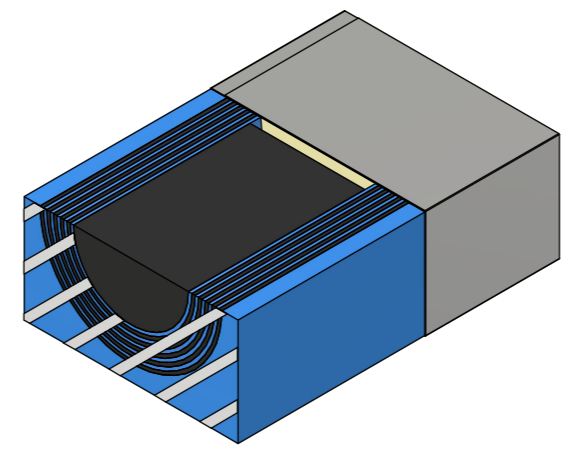
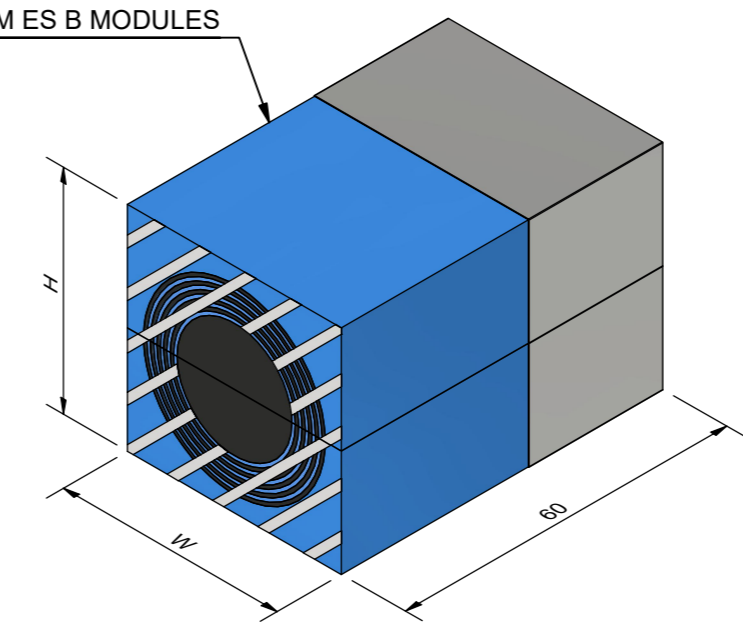
RM 15w40 ES B



RM 20w40 ES B


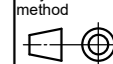


RM ES B MODULES



烙克賽克保留所有权利。未经授权严禁复制，使用以及向第三方泄漏。
 Confidential
 All rights reserved. Unauthorized reproduction, use or disclosure to third parties is strictly forbidden.
 Rev 3.2

F	LAYOUT UPDATE	2025-11-17	se-vikbak
Rev	Type of revision	Date	Sign

General tolerances used for manufacturing shown in document DOC-002180		Designed by/date se-joahel 2003-12-17	Latest save date 2026-06-25	Format A2	Scale 1 : 1	Sheet no 1 / 1	TotWeight 0,1 kg
 roxtec.com		Title RM ES B MODULES EMC ASSEMBLY		Restricted due to Information drawing		Drawing number S1005749	
Projection method 							Rev F