

烙克囊克保留所有权利。未经授权严禁复制、使用以及向第三方泄露。

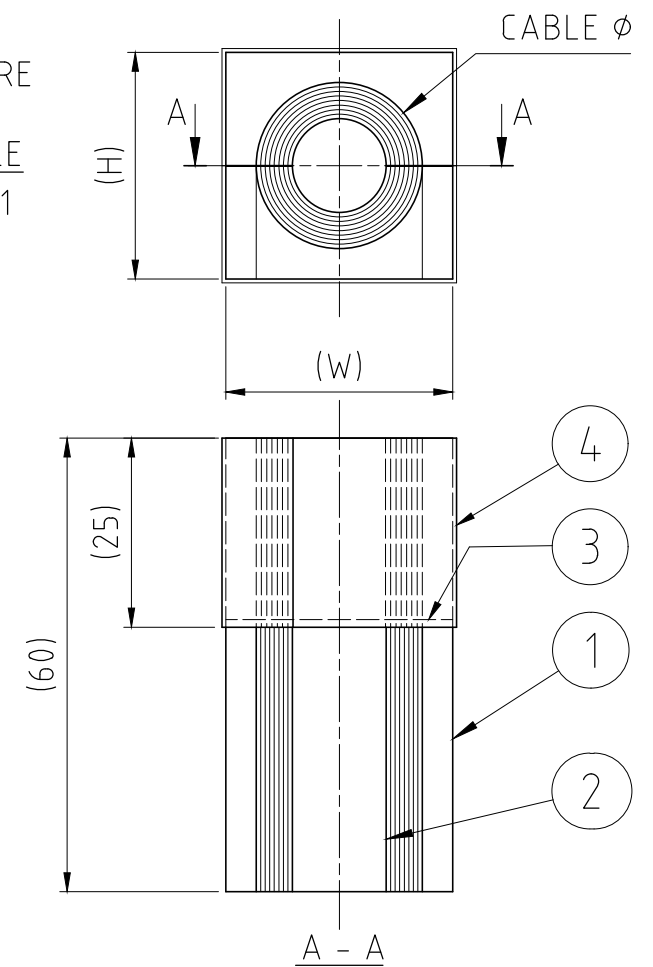
All rights reserved. Unauthorized reproduction, use or disclosure to third parties is strictly forbidden.

Rev 2.0

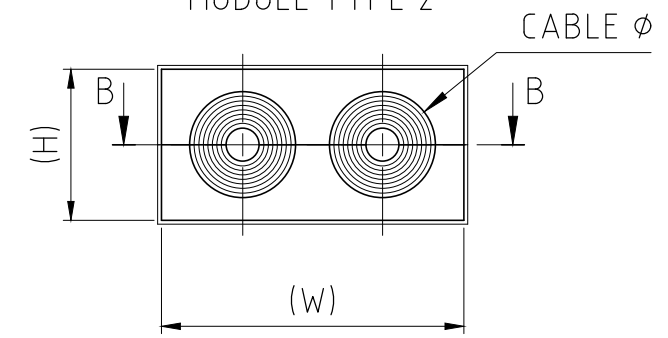
TYPE	W (mm)	H (mm)	CABLE Ø (mm)	MODULE TYPE
RM 15 ES B	15	15	0+3 - 11	1
RM 15w40 ES B	40	15	0+3.5 - 10.5	3
RM 20 ES B	20	20	0+4 - 14.5	1
RM 20w40 ES B	40	20	0+3.5 - 16.5	2
RM 30 ES B	30	30	0+10 - 25	1
RM 30H90 ES B	30	90	0+10 - 25	1
RM 40 ES B	40	40	0+21.5 - 34.5	1
RM 40H80 ES B	40	80	0+21.5 - 34.5	1
RM 40 10-32 ES B	40	40	0+9.5 - 32.5	1
RM 60 ES B	60	60	0+28 - 54	1
RM 60 24-54 ES B	60	60	0+24 - 54	1
RM 60 ES B WOC	60	60	28 - 54	1
RM 80 ES B WOC	80	80	48 - 71	1
RM 90 ES B WOC	90	90	48 - 71	1
RM 120 ES B WOC	120	120	67.5 - 99	1
RM 80 ES B WOC	80	80	48 - 71	1
RM 90 ES B WOC	90	90	48 - 71	1
RM 120 ES B WOC	120	120	67.5 - 99	1

NOTE:
WOC = WITHOUT CENTER CORE

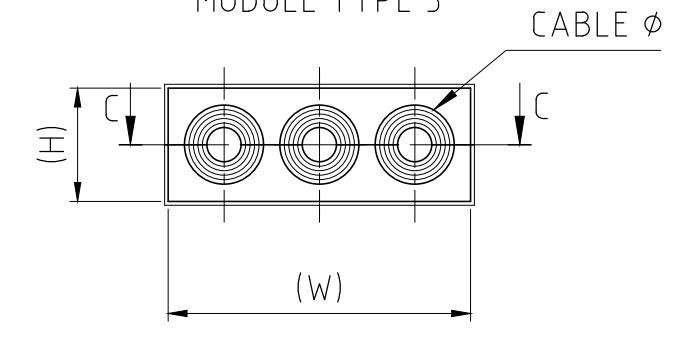
1 CABLE/MODULE
MODULE TYPE 1



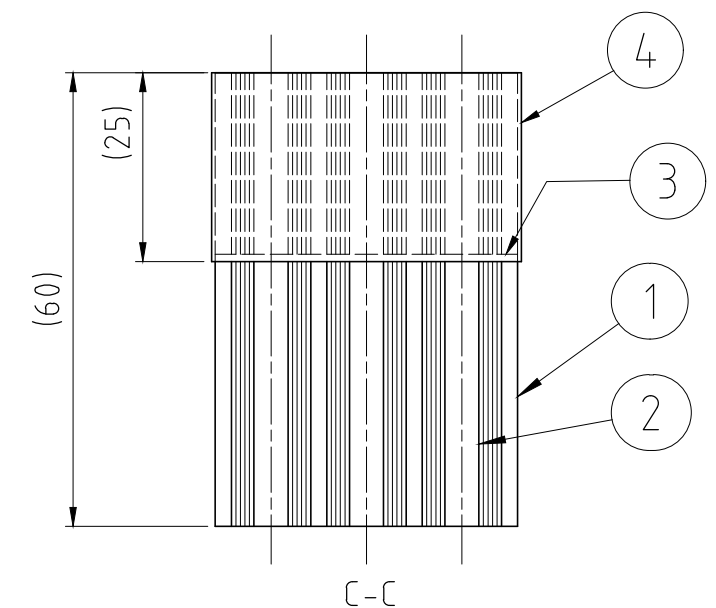
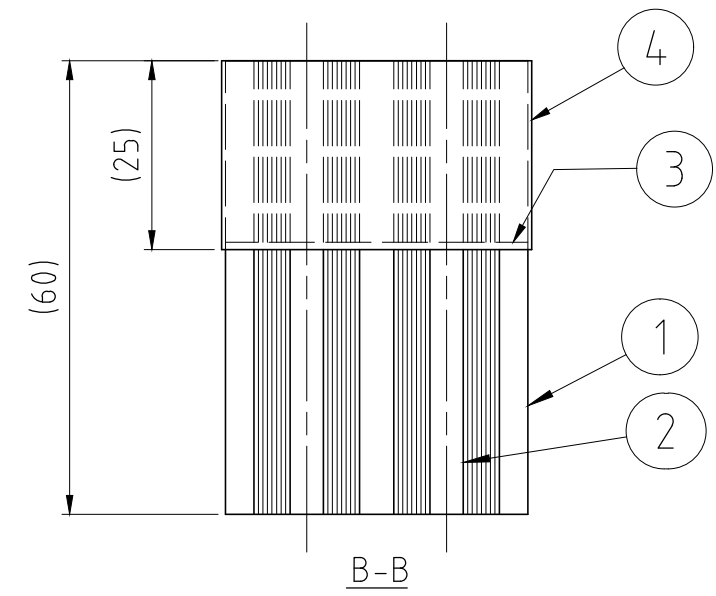
2 CABLES/MODULE
MODULE TYPE 2



3 CABLES/MODULE
MODULE TYPE 3



E


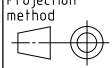


NOTE:

Cable Ø of the Roxtec Module indicates the smallest possible diameter of the dismantled cable shield to the largest possible diameter of the cable jacket.

Item	Qty	Designation	Specification	NetWeight
4	-	CONDUCTIVE TAPE	-	-
3	-	CONDUCTIVE RUBBER	-	-
2	-	CORE	ROXYLON	-
1	-	RUBBER	ROXYLON	-

Rev	Type of revision	Date	Sign
E	RM 80-120 ADDED IN TABLE	2020-10-13	se-mikgru

General tolerances used for manufacturing shown in document DOC-002180		Designed by se-joahel	Created Date 2003-12-17	Latest save date 2020-10-21	Format A3	Scale 1:1	Sheet no	TotWeight -
 www.roxtec.com		Title RM ES B MODULES EMC ASSEMBLY			Projection method 		Drawing number S1005749	
		Restricted due to Information drawing			Rev E			