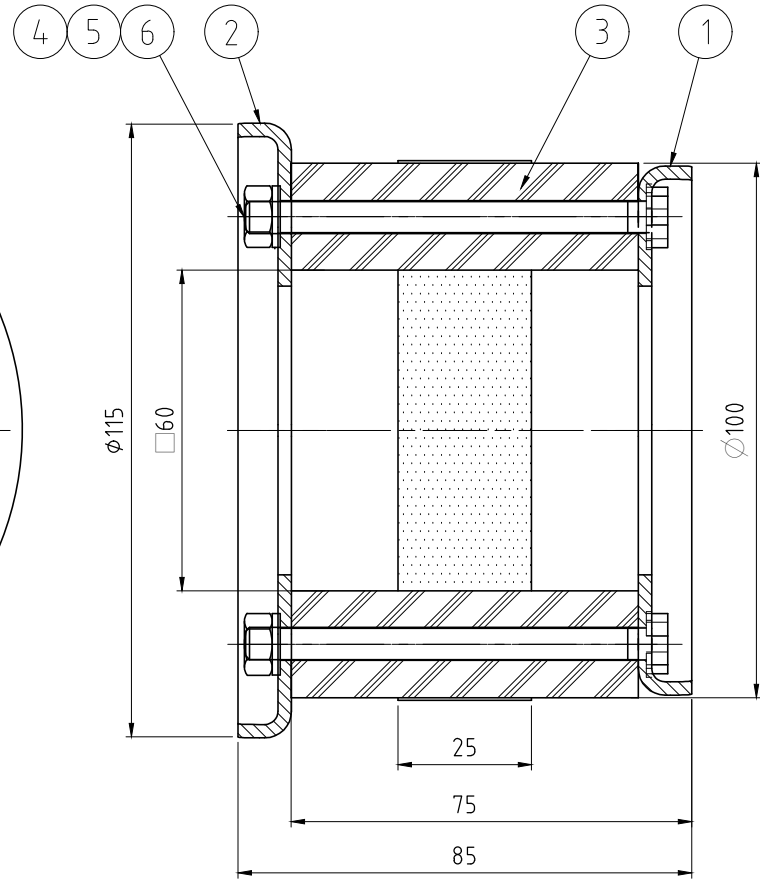
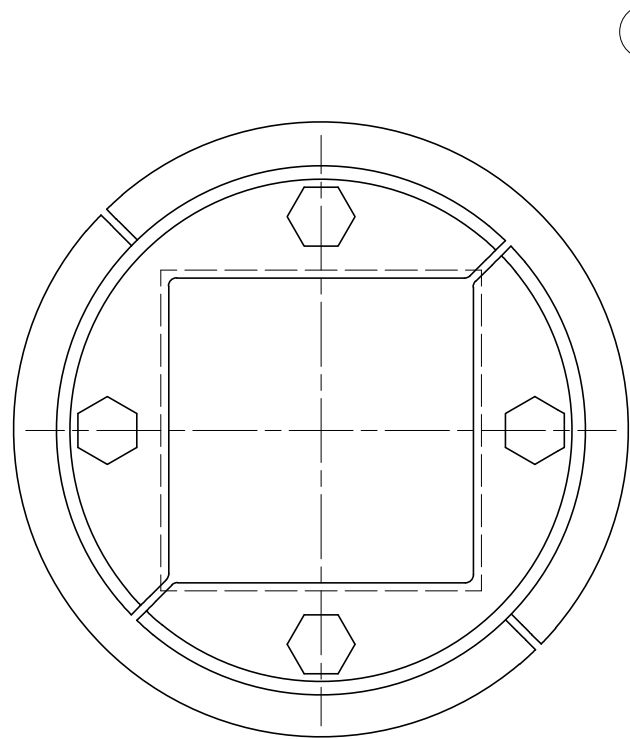


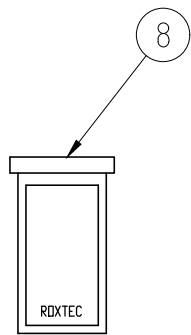
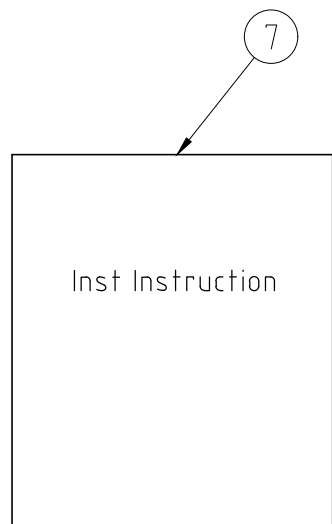
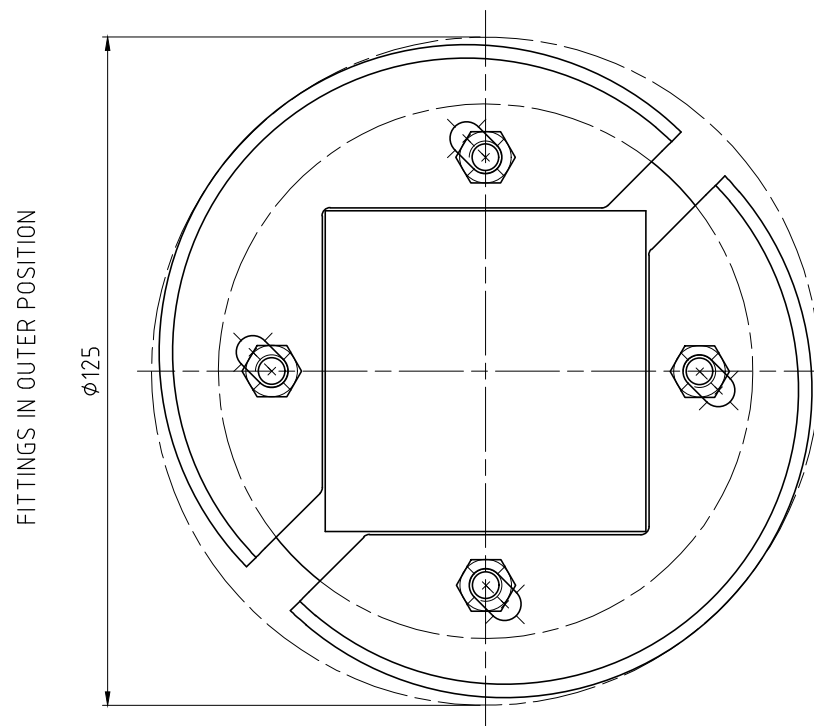
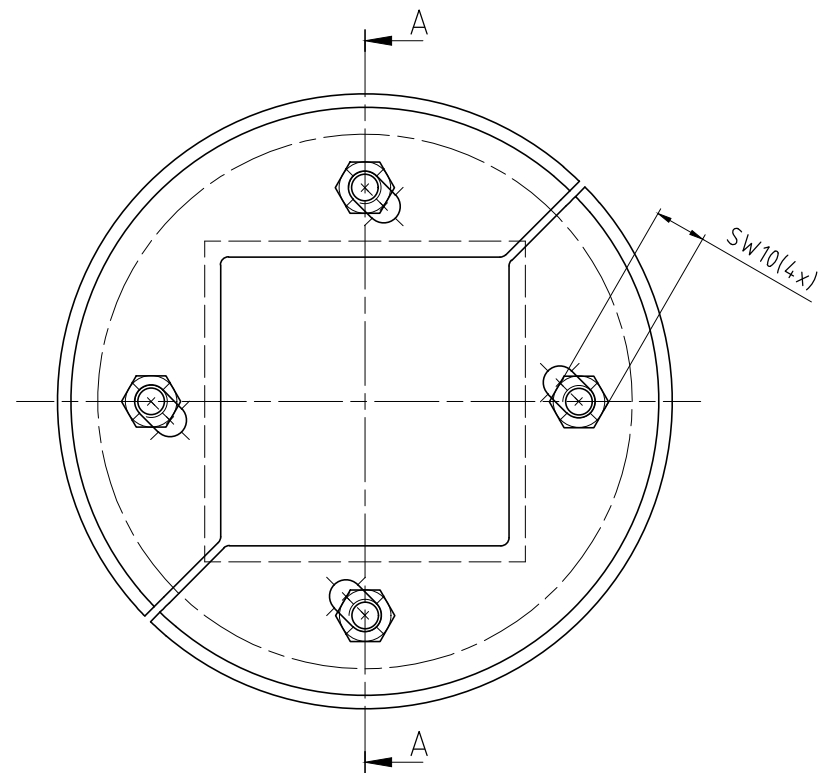
烙克赛克保留所有权利。未经授权严禁复制，使用以及向第三方泄漏。

All rights reserved. Unauthorized reproduction, use or disclosure to third parties is strictly forbidden.


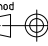
Rev 2.0



A-A



Item	Qty	Designation	Specification	Net Weight
8	1	LUBRICANT		-
7	1	INSTALLATION INSTRUCTION		-
6	4	WASHER	M6 A4	-
5	4	NUT	M6 A4	-
4	4	SCREW	M6 A4	-
3	1	RUBBER FRAME	ROXYLON	-
2	2	FRONT FITTING	ACID PROOF STAINLESS STEEL	-
1	2	REAR FITTING	ACID PROOF STAINLESS STEEL	-

General tolerances used for manufacturing shown in document DOC-00280		Designed by	Created Date	Latest save date	Format	Scale	Sheet no	Net Weight
		se-krihan	2003-12-17	2024-01-22	A2	1:1		-
 www.roxtec.com		Title R 100 EMC ASSEMBLY		Restricted due to Information drawing		Drawing number S1005748		Projection method  Rev D

D		2024-01-22	se-parham
Rev	Type of revision	Date	Sign