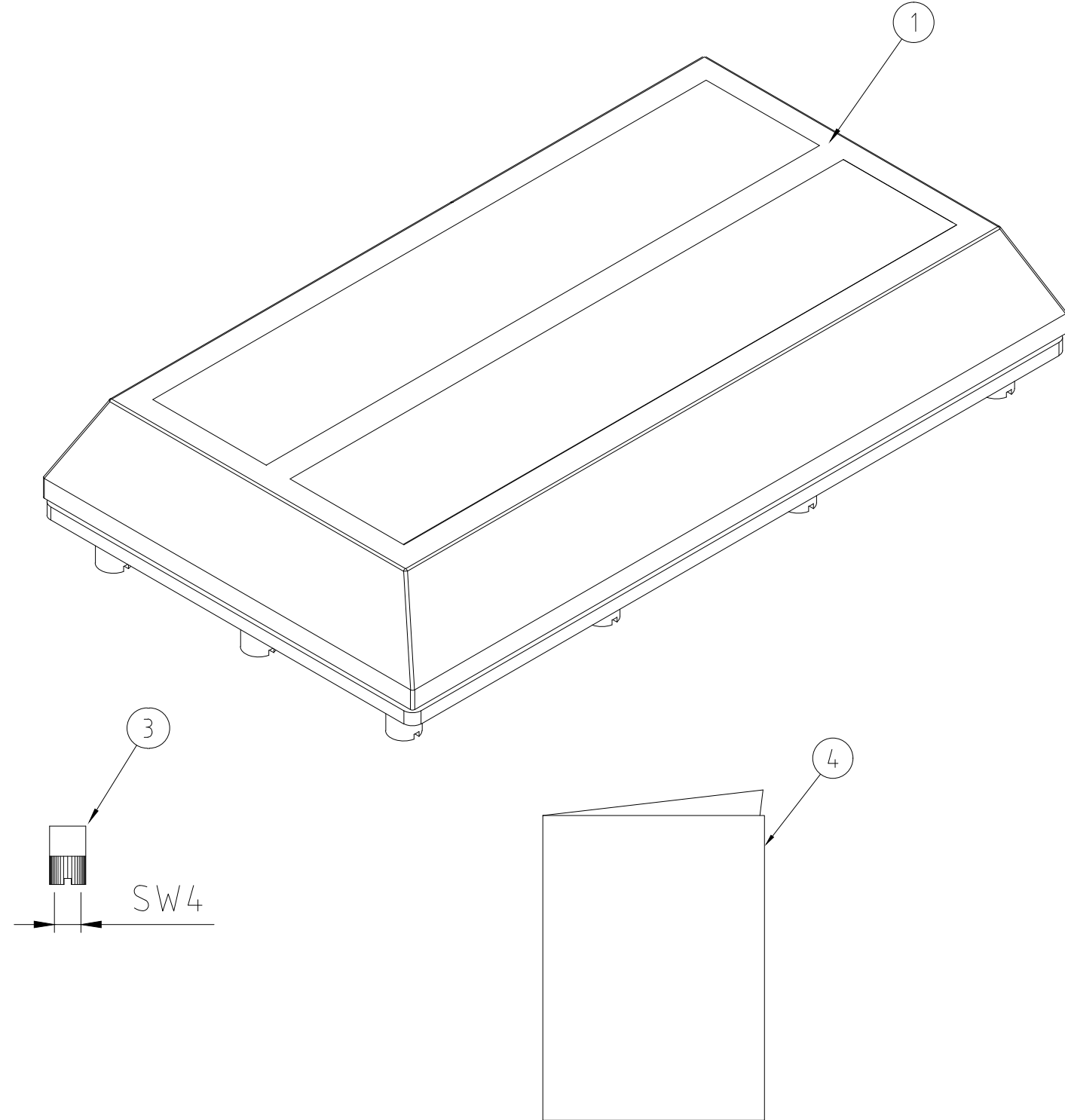
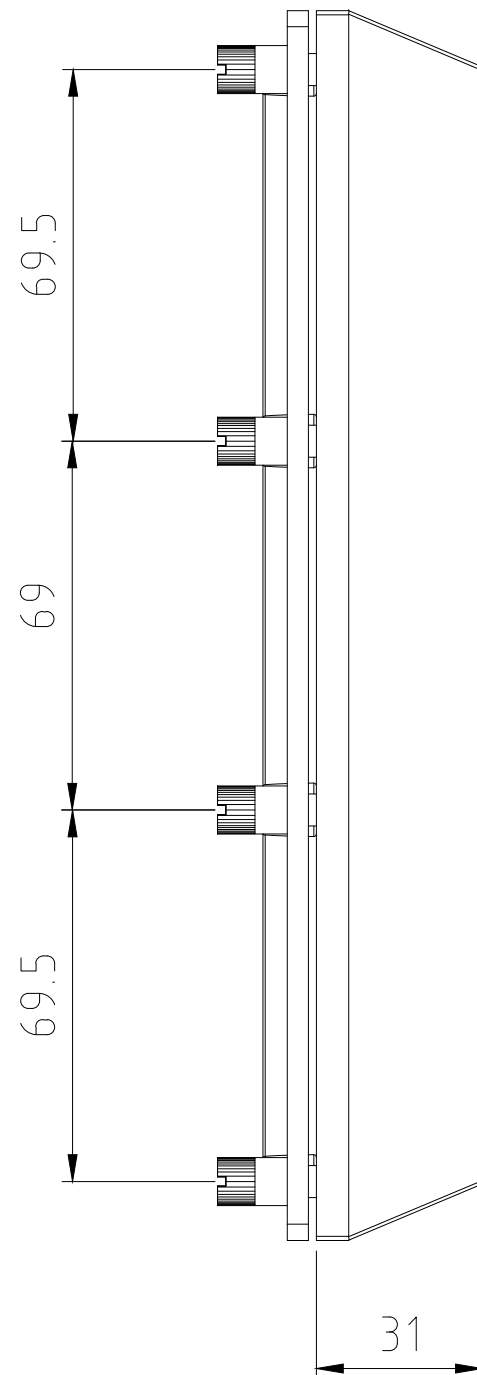
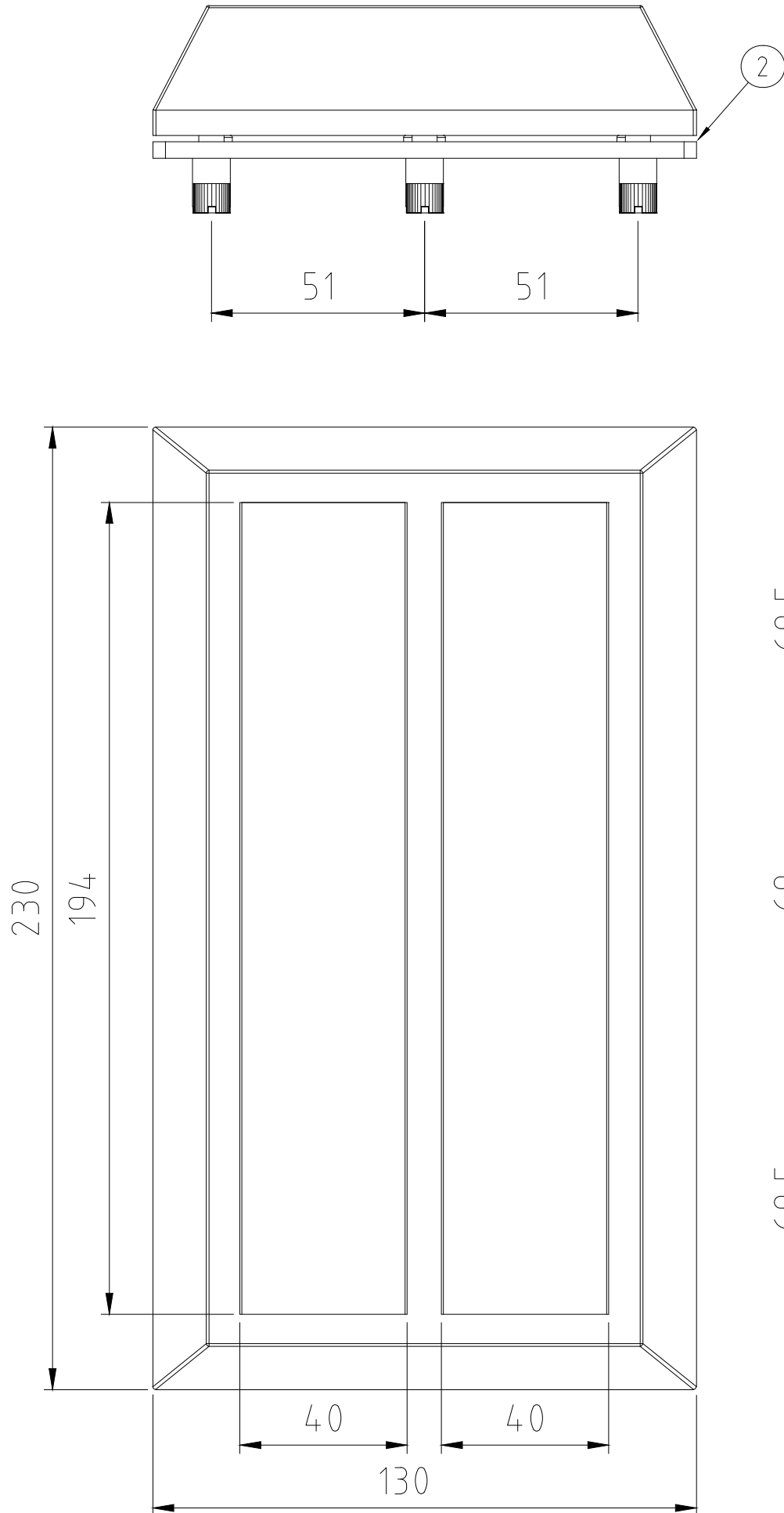


All rights reserved. Unauthorized reproduction, use or disclosure to third parties is strictly forbidden.

Rev 2.0

烙克赛克保留所有权利。未经授权严禁复制，使用以及向第三方泄漏。



MAX WALL THICKNESS = 4MM
PACKING SPACE 2x(40x160)

| Item | Qty | Designation | Specification | Net Weight |
|------|-----|--------------------------|----------------------------|------------|
| 4 | 1 | INSTALLATION INSTRUCTION | | |
| 3 | 10 | NUT 9x14xM6 A4-70 | ACID PROOF STAINLESS STEEL | |
| 2 | 1 | COUNTER FRAME CF 32 | NICKEL PLATED ALUMINIUM | |
| 1 | 1 | CF 32 EMC FRAME | NICKEL PLATED ALUMINIUM | |

| | | | | | |
|---|---|--|---|----------------------------|-----------------------------------|
| ROXTEC INTERNATIONAL AB BOX 540 S-37123 Karlskrona TEL: +46 455 366700 FAX: +46 455 82012 | Designed by se-joahel Checked by P TÖRNSTRÖM Approved by P TÖRNSTRÖM | Date 2003-12-17 Format A2 Scale 1:1 | General tolerance ISO 1781-1 m Welded details AS EN 50 012 C General surface roughness, Ra - | Net Weight - | Projection method 1st angle |
| | | | Title CF 32 EMC ASSEMBLY | Drawing number S1005744 | Rev C |

| Rev | Type of revision | Date | Sign |
|-----|----------------------------------|------------|-----------|
| C | ADD PACKING SPACE AND MAX WALL T | 2020-12-14 | se-mikgru |