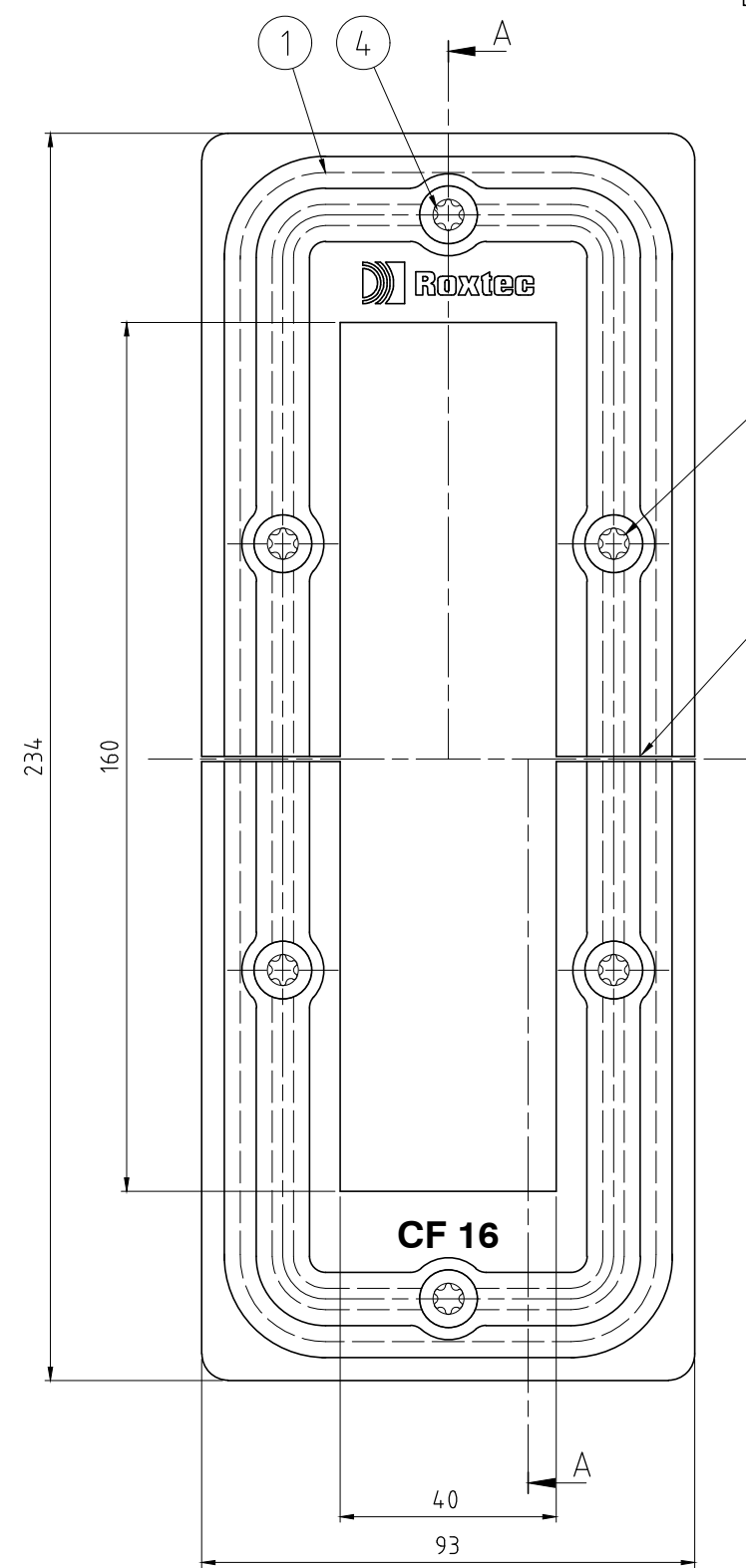
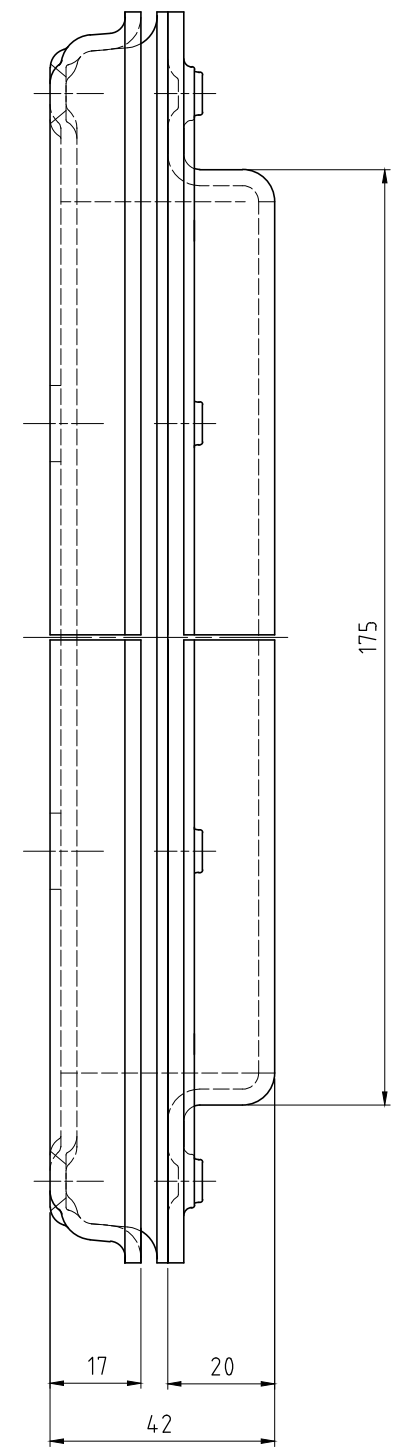
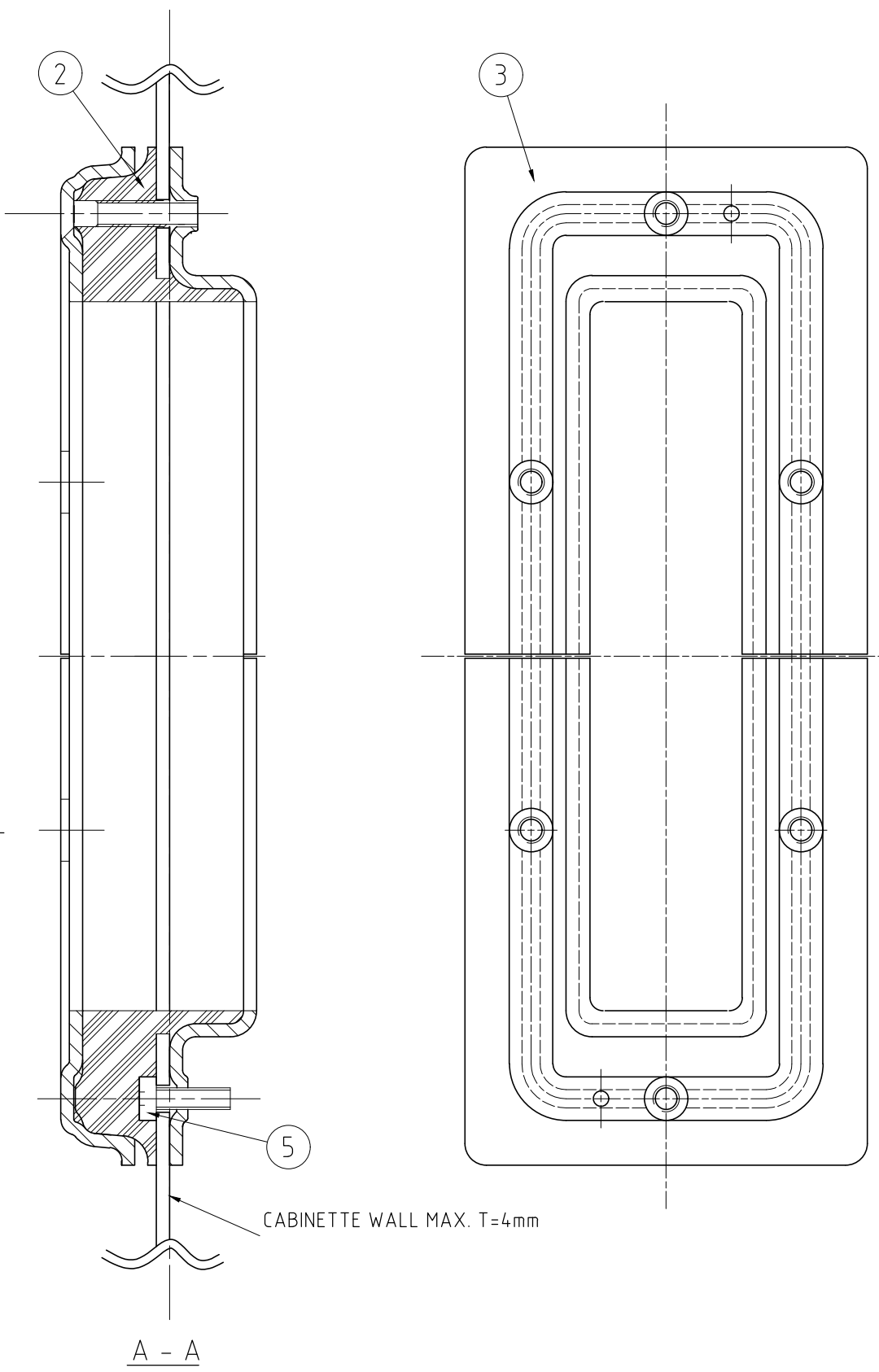


MATERIAL DOMEX 200  
 SURFACE TREATMENT POWD. COAT. RAL7035  
 MATERIAL STAINLESS STEEL

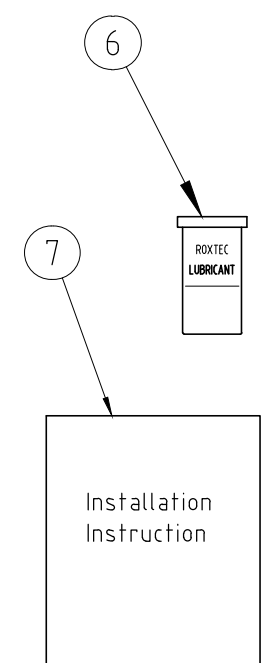
烙克赛克保留所有权利。未经授权严禁复制、使用以及向第三方泄露。

All rights reserved. Unauthorized reproduction, use or disclosure to third parties is strictly forbidden.

Rev 3.0



SW TX30 (6x)  
 FRAME CUTTED.



Item	Qty	Designation	Specification	Net Weight
7	1	INSTALLATION INSTRUCTION		-
6	1	LUBRICANT		-
5	2	FASTENERS	SCREW M5 A4	-
4	6	FASTENERS	SCREW M6 A4	-
3	1	BACK PIECE		-
2	1	COMPRESSION RUBBER		-
1	1	TOP PIECE		-

General tolerances used for manufacturing shown in document DDC-002180		Designed by	Created Date	Latest save date	Format	Scale	Sheet no	Net Weight
		se-joahel	2003-12-17	2022-12-06	A2	1:1		-
Title		Projection method						
CF 16 O FRAME ASSEMBLY								
www.roxtec.com		Restricted due to		Information drawing		Drawing number		Rev
				S1005736				F

Rev	Type of revision	Date	Sign
F		2022-12-06	se-henols

Information drawings show general design and nominal dimensions if not else stated