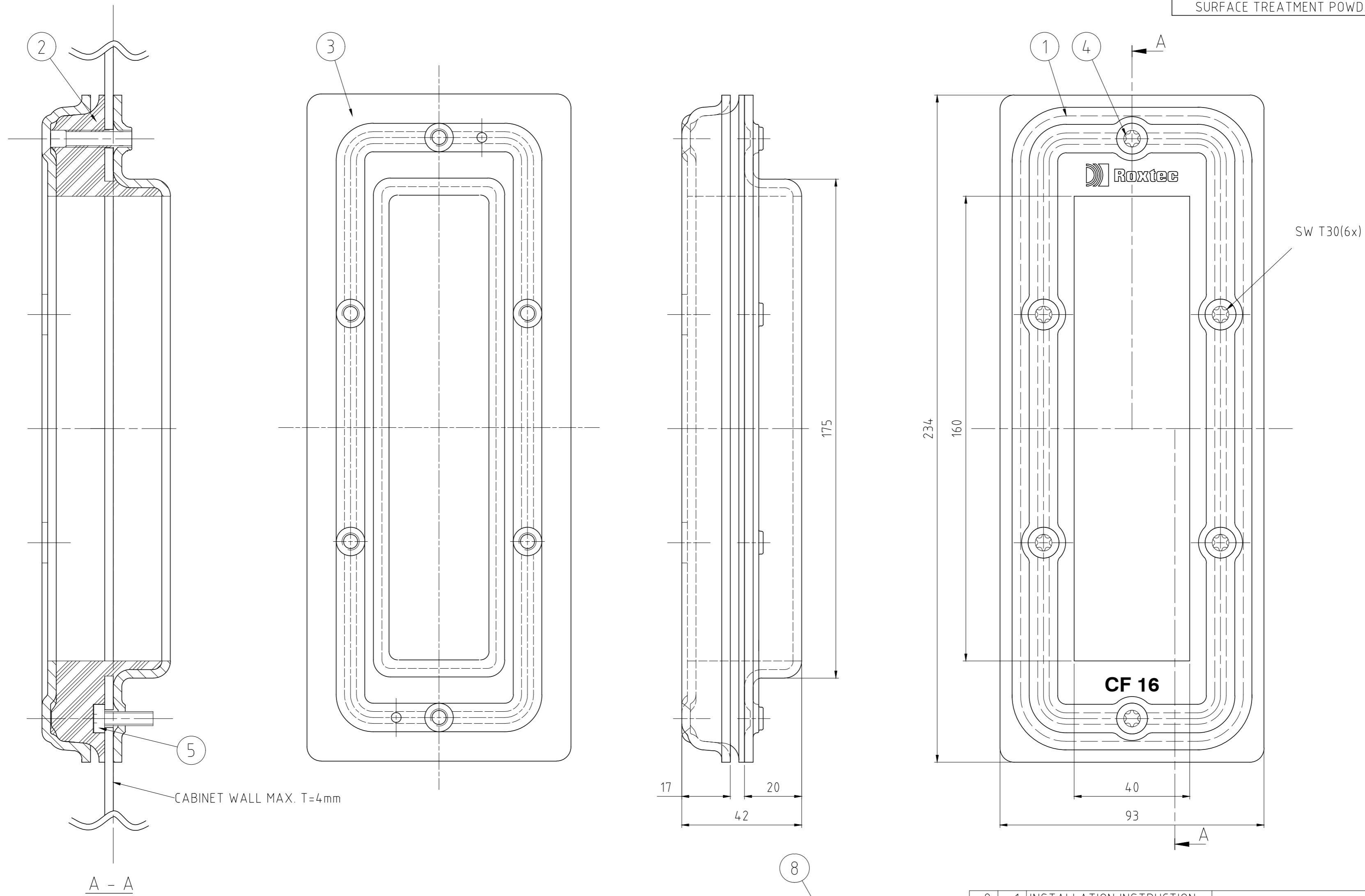
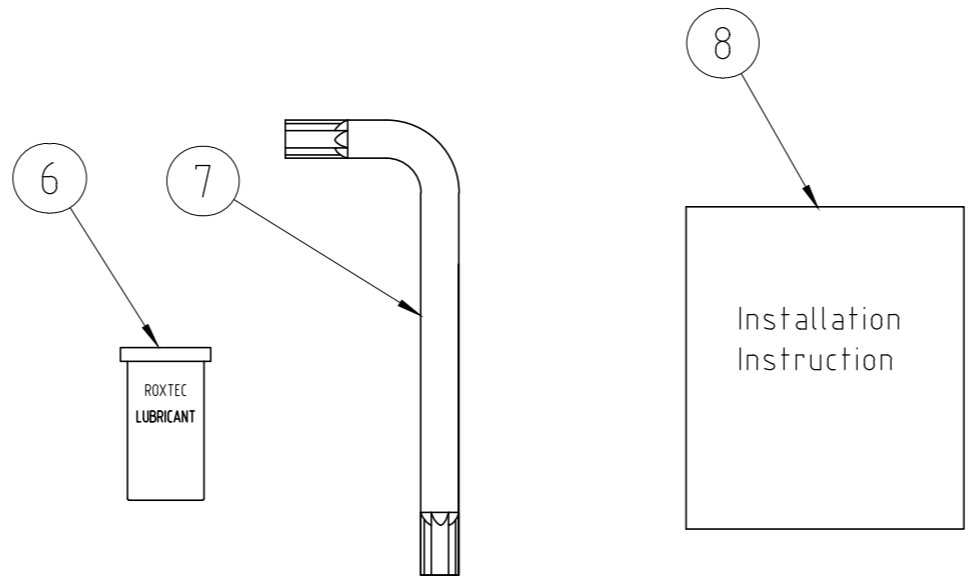


MATERIAL DOMEX 200
SURFACE TREATMENT POWD. COAT. RAL7035



CABINET WALL MAX. T=4mm

A - A



8	1	INSTALLATION INSTRUCTION		-
7	1	TORX WRENCH	TX T30	-
6	1	LUBRICANT	TALLOW	-
5	2	SCREW	MRX M5x20 A4	-
4	6	SCREW	MKFT M6x35 A4	-
3	1	BACK PIECE		-
2	1	COMPRESSION RUBBER		-
1	1	TOP PIECE		-

Item	Qty	Designation	Specification	Net Weight
General tolerances used for manufacturing shown in document DOC-00209		Designed by	Created Date	Latest save date
www.roxtec.com		se-joahel	2003-12-17	2023-11-13
Title		Format	Scale	Sheet no
CF 16		A2	1:1	
ASSEMBLY		Projection method		
Restricted due to		Drawing number		
Information drawing		S1005735		
		Rev		
		F		

Information drawings show general design and nominal dimensions if not else stated

烙克賽克保留所有权利。未经授权严禁复制、使用以及向第三方泄漏。

All rights reserved. Unauthorized reproduction, use or disclosure to third parties is strictly forbidden.

Rev 2.0

F	PARTLIST UPDATED.	2023-11-13	se-larlar
Rev	Type of revision	Date	Sign