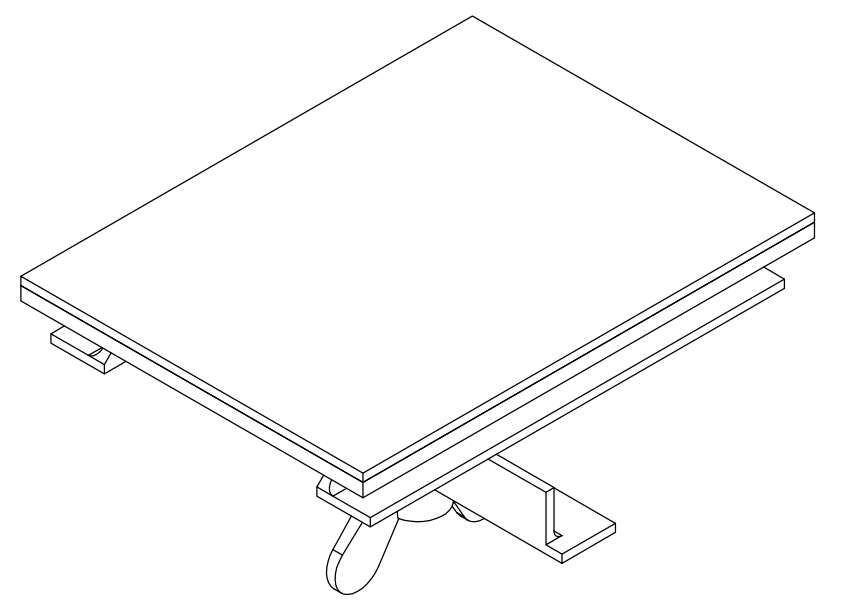
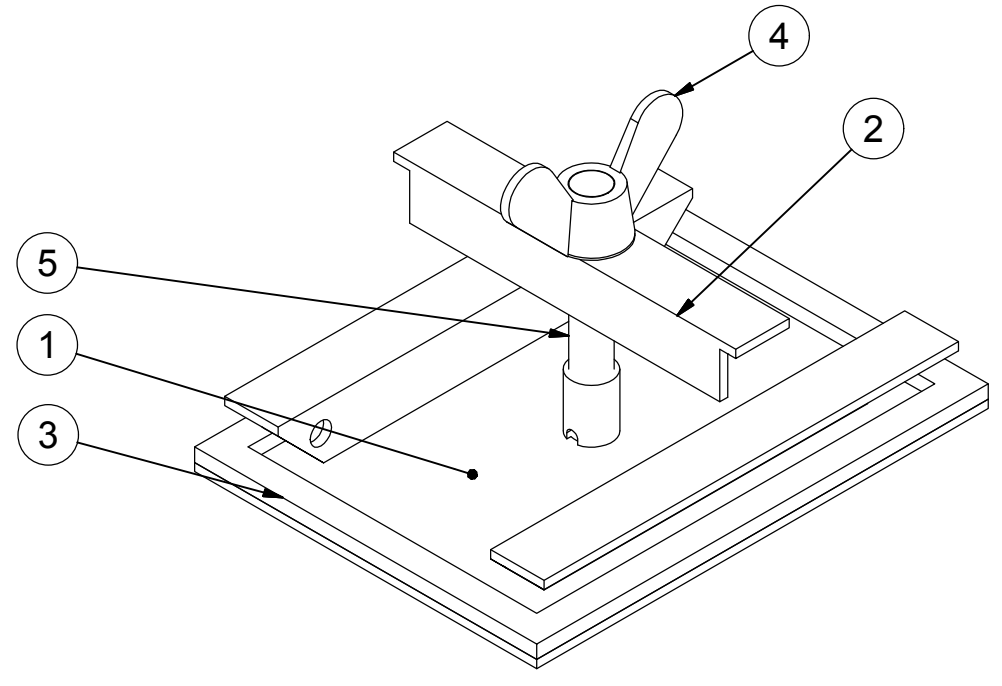
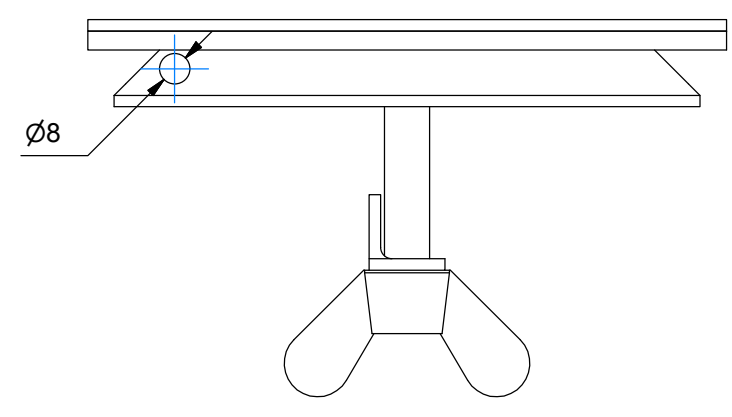
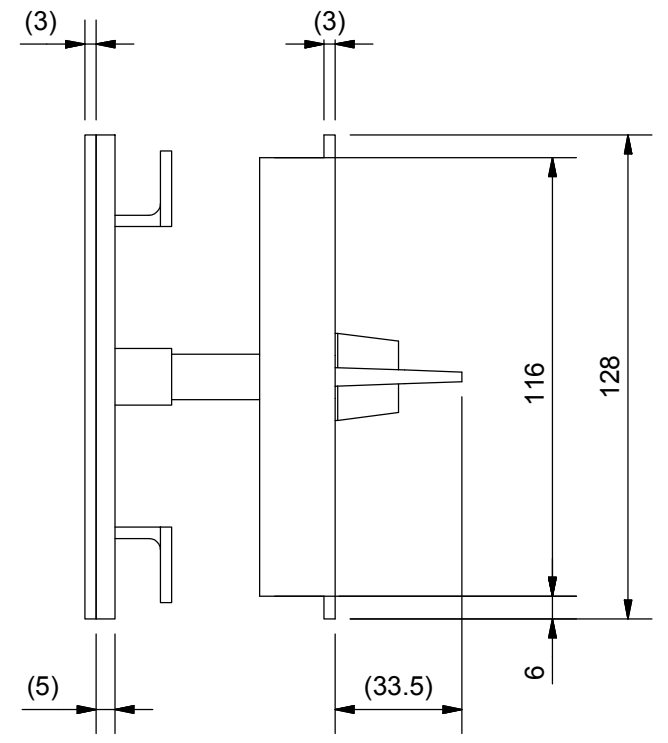
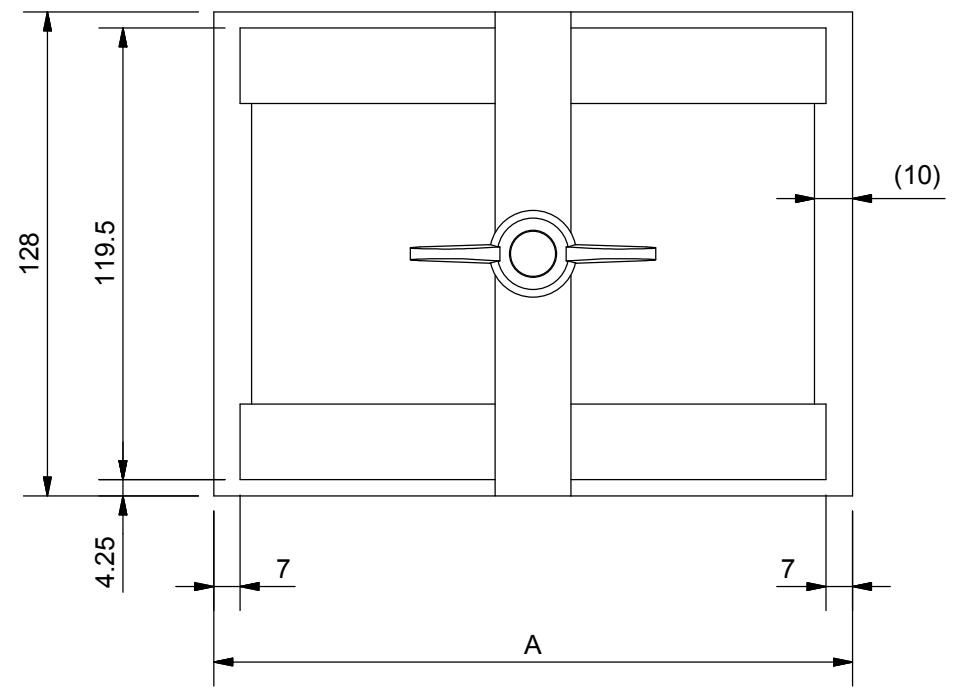


洛克赛克保留所有权利。未经授权严禁复制，使用以及向第三方泄露。

All rights reserved. Unauthorized reproduction, use or disclosure to third parties is strictly forbidden.



| TYPE | A (mm) |
|------|--------|
| DD-2 | 111    |
| DD-4 | 169    |
| DD-6 | 228    |
| DD-8 | 288    |

| ITEM | QTY | Designation          | Specification            | Weight |
|------|-----|----------------------|--------------------------|--------|
| 5    | 1   | THREADED BAR M12 FZB |                          |        |
| 4    | 1   | WINGNUT M12 FZB      |                          |        |
| 3    | 1   | GASKET               | EPDM CELLULAR RUBBER T=5 |        |
| 2    | 1   | ANGLE BAR 20x20x3    | HOT DIPPED GALVANIZED    |        |
| 1    | 1   | COVER PLATE          | HOT DIPPED GALVANIZED    |        |

|   |  |  |  |                                |              |                          |                   |                  |
|---|--|--|--|--------------------------------|--------------|--------------------------|-------------------|------------------|
| General tolerance:<br>ISO 2768-1/2-m/K<br>EN ISO 13920-BF | Welded details:<br>EN ISO 5817-B<br>EN ISO 10042-B | General surface<br>roughness:<br>Ra 12.5 | Designed by/date<br>se-joahel 2003-12-17 | Latest save date<br>2017-11-24 | Format<br>A3 | Scale                    | Sheet no<br>1 / 1 | TotWeight<br>N/A |
|   |  |  | Title<br><b>DD COVER</b><br>DD 2 - DD 8  |                                |              | Projection<br>method<br> |                   |                  |
| Rev<br>Type of revision                                   |  |  | Drawing number<br><b>S1005723</b>        |                                |              | Rev<br><b>B</b>          |                   |                  |

|     |                  |            |           |
|-----|------------------|------------|-----------|
| B   | GENERAL UPDATE   | 2017-11-20 | se-jenboh |
| Rev | Type of revision | Date       | Sign      |