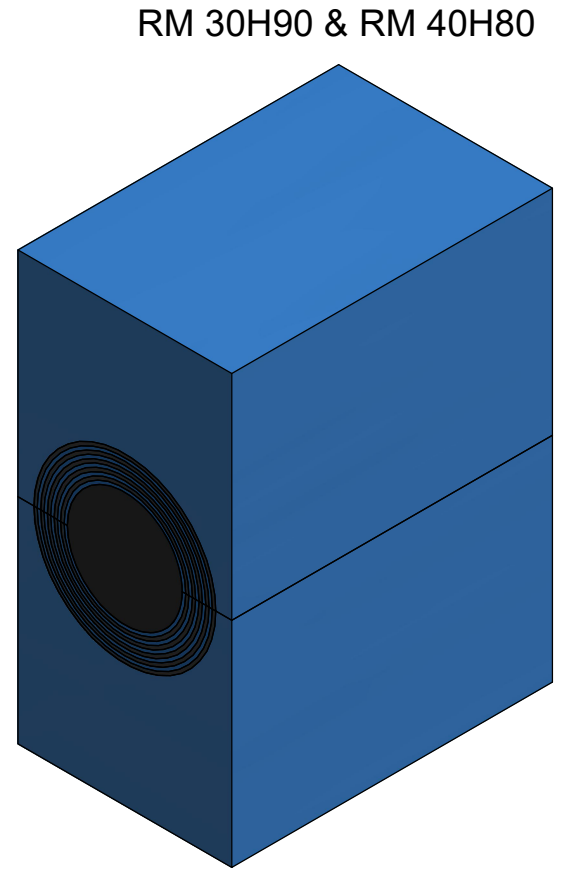
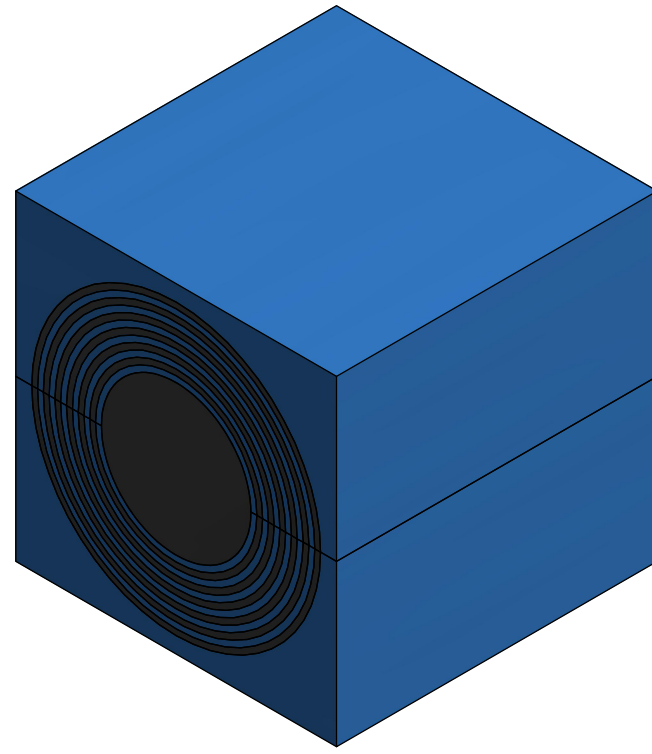
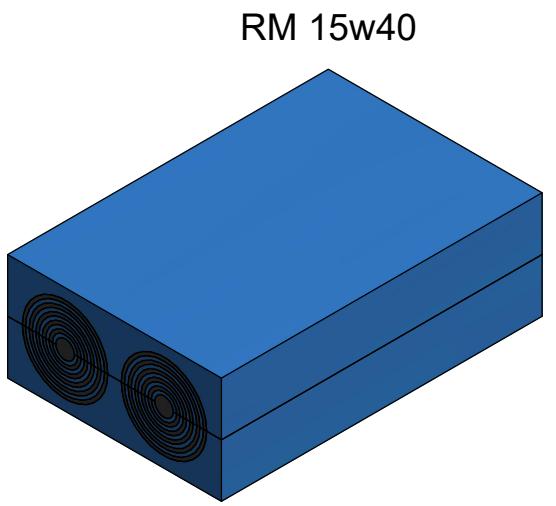
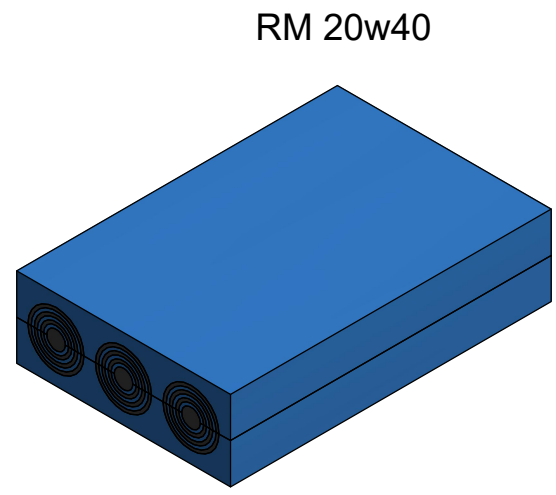
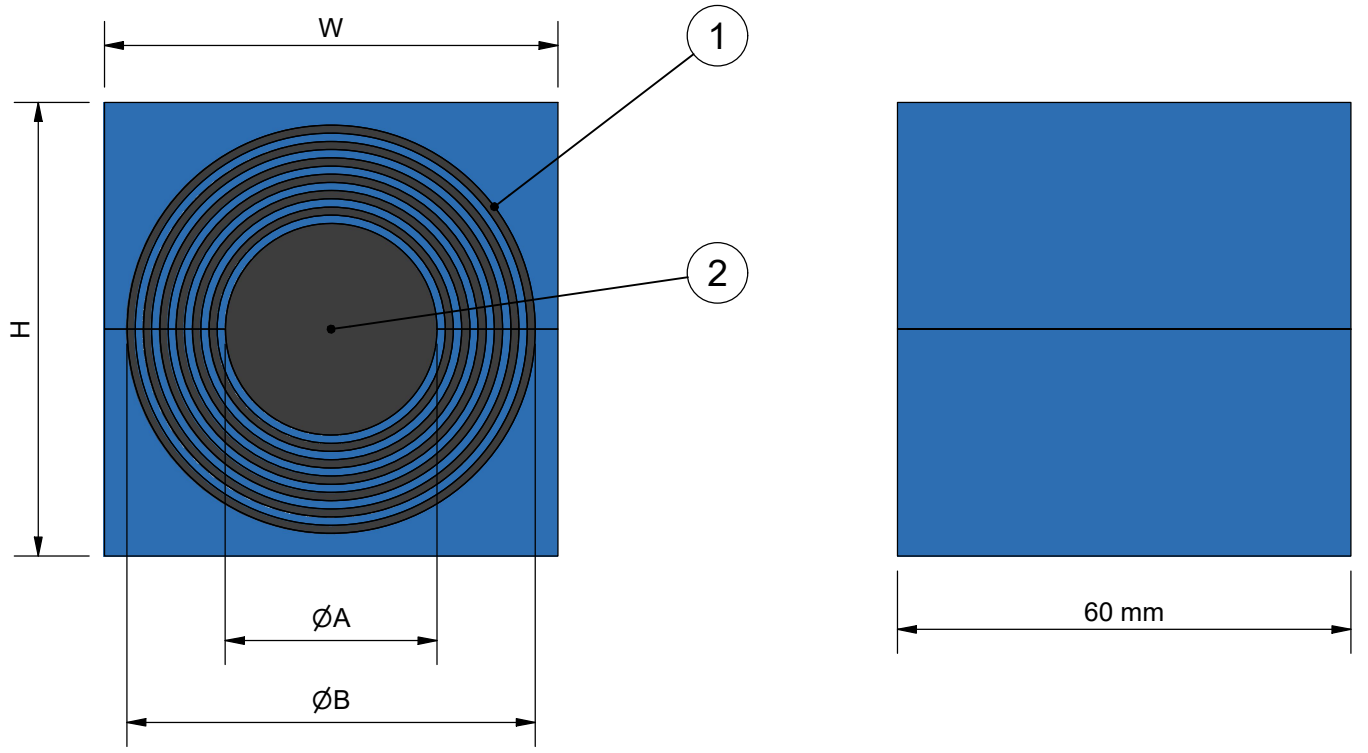


TYPE	PIPE/CABLE Ø (A-B) [mm]	H [mm]	W [mm]	C [QTY]
RM 15	3 - 11	15	15	1
RM 15w40	3.5 - 10.5	15	40	3
RM 20	4 - 14.5	20	20	1
RM 20w40	3.5 - 16.5	20	40	2
RM 30	10 - 25	30	30	1
RM 30 H90	10 - 25	30	90	1
RM 40	21.5 - 34.5	40	40	1
RM 40 H80	21.5 - 34.5	40	80	1
RM 40 10-32	9.5 - 32.5	40	40	1
RM 60*	28 - 54	60	60	1
RM 60 24-54	24 - 54	60	60	1
RM 80*	48 - 71	80	80	1
RM 90*	48 - 71	90	90	1
RM 120*	67.5 - 99	120	120	1

\*ALSO AVAILABLE IN WOC VERSION DELIVERED WITHOUT CORE



2	C	CORE	ROXYLON			
1	2	RUBBER PROFILE	ROXYLON			
ITEM	QTY	Designation	Specification	Weight		
General tolerances used for manufacturing shown in document DOC-002180		Designed by/date se-joahel 2003-12-12	Latest save date 2024-06-24	Format A3	Scale Sheet no 1 / 1	TotWeight N/A
 www.roxtec.com		Title <b>RM MODULES ASSEMBLY</b>			Projection method 	
		Restricted due to Information drawing		Drawing number <b>S1005711</b>	Rev <b>E</b>	

E	LAYOUT CHANGED	2024-06-19	se-marfre
Rev	Type of revision	Date	Sign