

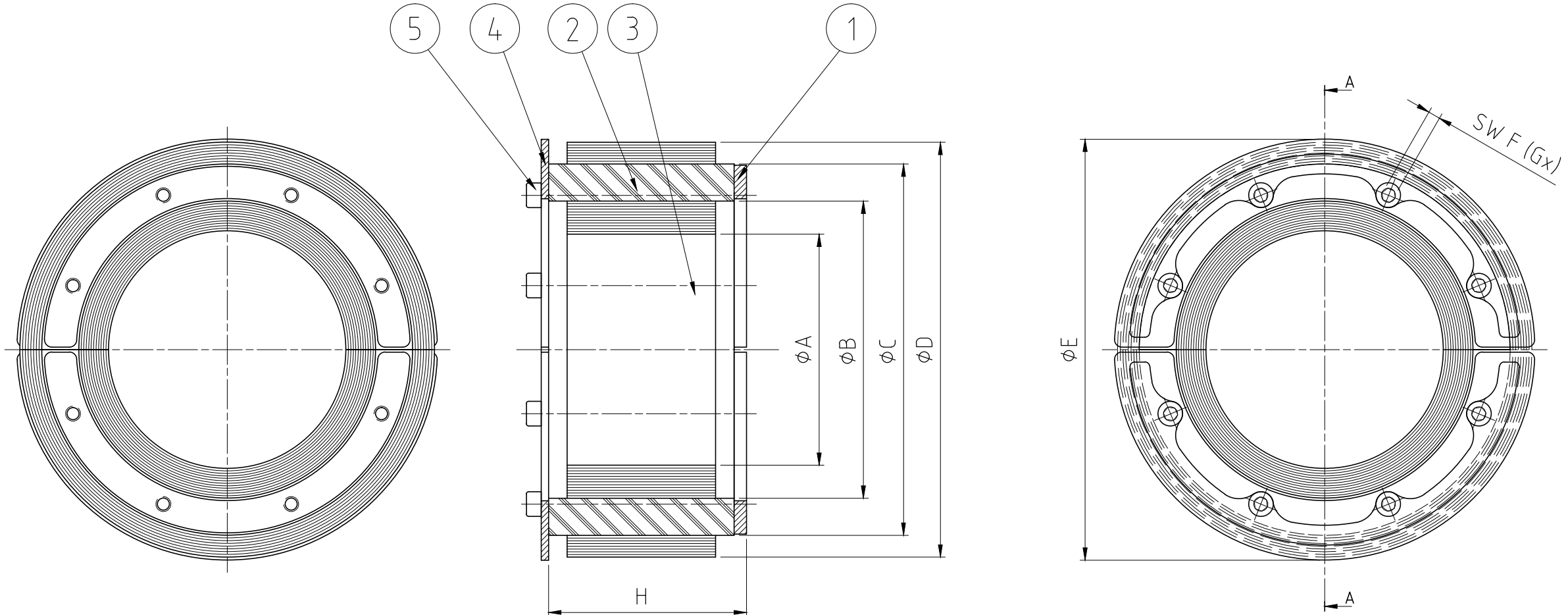
洛克赛克保留所有权利。未经授权严禁复制，
 使用以及向第三方泄露。

All rights reserved. Unauthorized reproduction, use
 or disclosure to third parties is strictly forbidden.

RS OMD SEALS

TYPE	A (MM)	B (MM)	C (MM)	D (MM)	E (MM)	F (MM)	G (PCS)	H (MM)
RS 100 OMD	48	70	100	108	110	4	6	78
RS 100 OMD WOC	48	70	100	108	110	4	6	78
RS 125 OMD	66	98	125	143	145	5	6	80
RS 125 OMD WOC	66	98	125	143	145	5	6	80
RS 150 OMD WOC	93	119	150	168	170	5	8	80

NOTE:
WOC IS WITHOUT CORE



A-A

5	G	SCREW	A4	-
4	2	FRONT FITTING	ACID PROOF STAINLESS STEEL	-
3	1	CORE	NOT IN WOC VERSIONS	-
2	2	RUBBER FRAME	ROXYLON	-
1	2	REAR FITTING	ACID PROOF STAINLESS STEEL	-

Item	Qty	Designation	Specification	Net Weight
General Tolerance		Welded details	General surface	Designed by
ISO 2768-1/2-m/K		EN ISO 5817-B	roughness, Ra	tc_service
EN ISO 13920-BF		EN ISO 10042-B	12,5	Created Date
				2003-12-12
				Latest save date
				2016-05-03
				Format
				A3
				Scale
				1:2
				Sheet no
				-
				TotWeight
				-
				Projection method
				1st angle
				Restricted due to
				Information drawing
				Drawing number
				S1005710
				Rev
				D

D	LAYOUT CHANGED.	2016-05-03	se-jenboh
Rev	Type of revision	Date	Sign

