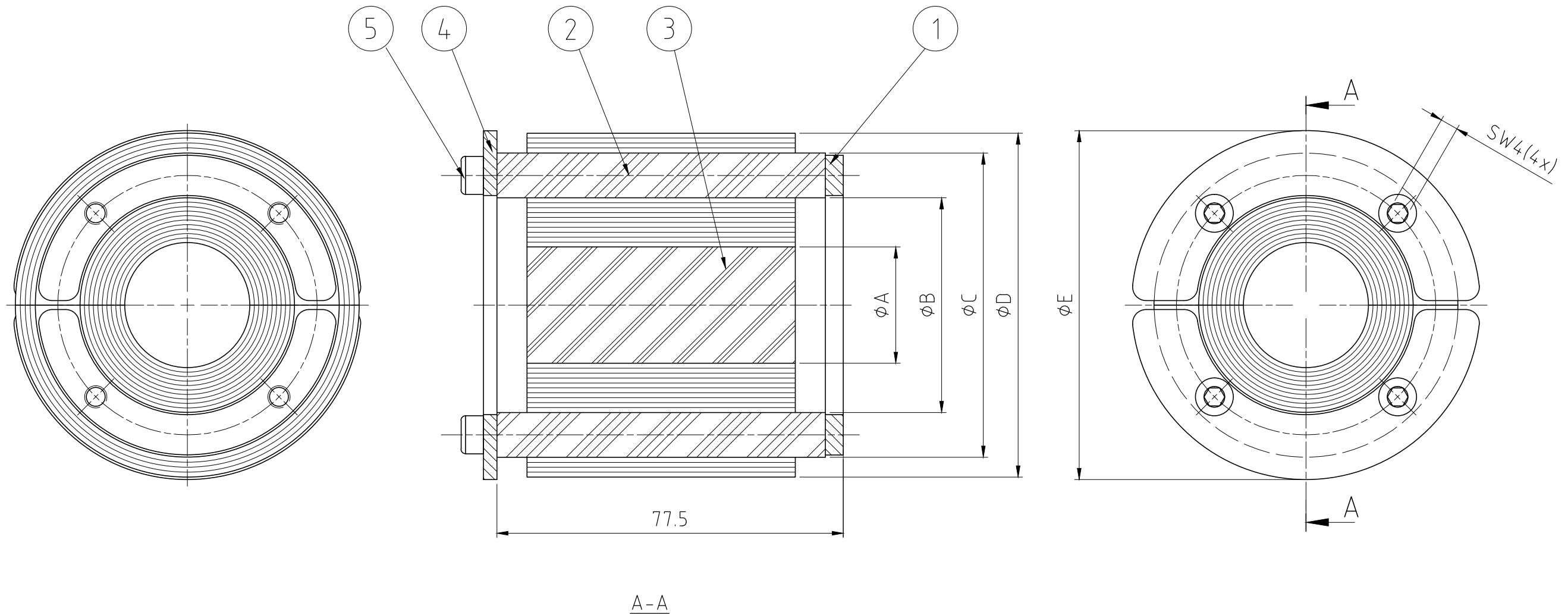


洛克赛克保留所有权利。未经授权严禁复制，  
使用以及向第三方泄露。

All rights reserved. Unauthorized reproduction, use  
or disclosure to third parties is strictly forbidden.

TYPE	A (MM)	B (MM)	C (MM)	D (MM)	E (MM)
RS 43 OMD	4	23	43	51	53
RS 50 OMD	8	30	50	58	60
RS 68 OMD	26	48	68	76	78



Rev	Type of revision	Date	Sign
B	LAYOUT CHANGED.	2016-05-03	se-jenboh

Item	Qty	Designation	Specification	Net Weight
5	4	SCREW	A4	-
4	2	FRONT FITTING	ACID PROOF STAINLESS STEEL	-
3	1	CORE	-	-
2	2	RUBBER FRAME	ROXYLON	-
1	2	REAR FITTING	ACID PROOF STAINLESS STEEL	-

General Tolerance		Welded details		General surface roughness, Ra		Designed by		Created Date		Latest save date		Format		Scale		Sheet no		Tot Weight	
ISO 2768-1/2-m/K		EN ISO 5817-B		12,5		tc_service		2003-12-12		2016-05-03		A3		1:1				-	
EN ISO 13920-BF		EN ISO 10042-B				Title		RS OMD SEALS		Projection method		First angle		Drawing number		S1005709		Rev	
						www.roxtec.com		RS OMD 43-68		Restricted due to		Information drawing						B	