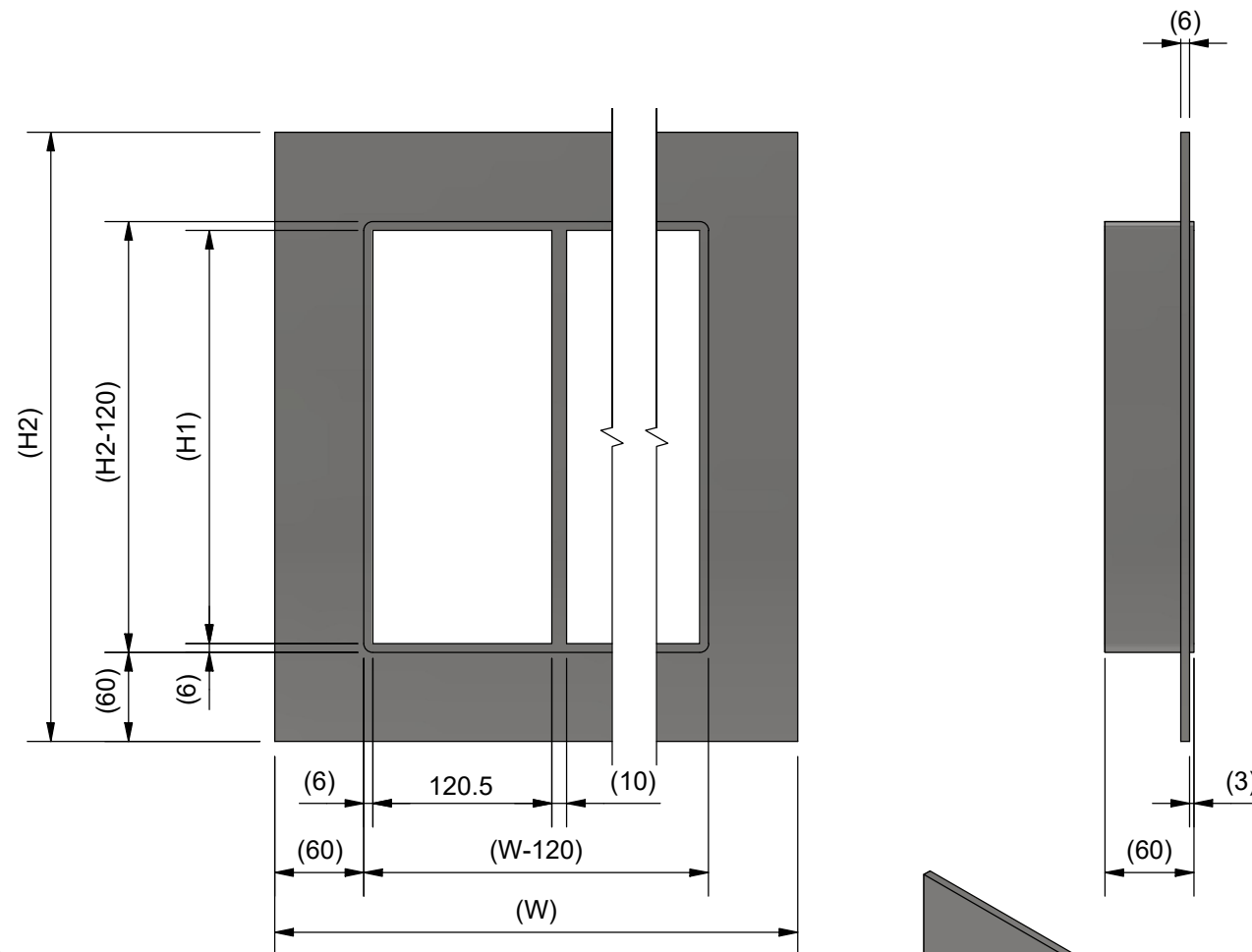


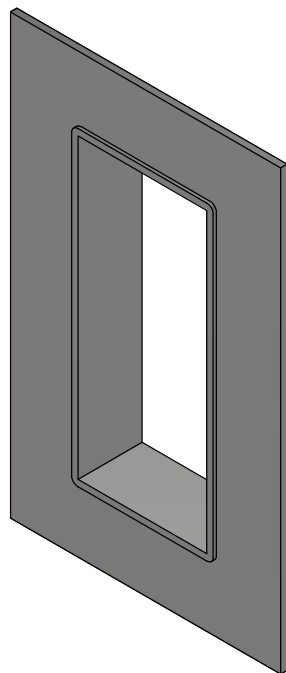
TYPE	H1 [mm]	H2 [mm]
G 2xN	101	233
G 4xN	159.5	291.5
G 6xN	218	350
G 8xN	278	410

N	W [mm]
x1	252.5
x2	383
x3	513.5
x4	644
x5	774.5
x6	905
x7	1035.5
x8	1166
x9	1296.5
x10	1427

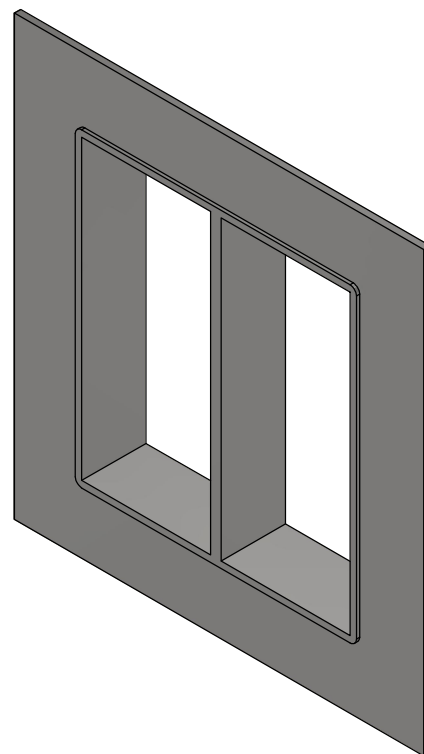
N: FRAME OPENINGS/ROW



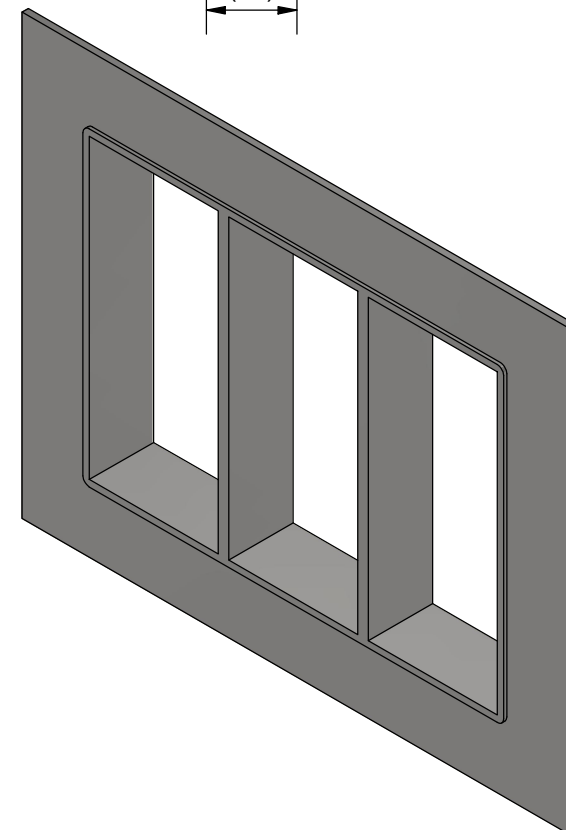
G 8x1
N=1




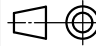
G 8x2
N=2



G 8x3
N=3



F	LAYOUT CHANGED	2024-08-13	se-marfre
Rev	Type of revision	Date	Sign

General tolerances used for manufacturing shown in document DOC-002180		Designed by/date se-joahel 2003-11-04	Latest save date 2024-08-26	Format A3	Scale	Sheet no 1 / 1	TotWeight
 www.roxtec.com		Title G FRAME SINGLE AND COMBINATION FRAME				Projection method 	
		Restricted due to Information drawing			Drawing number S1005556		Rev F