

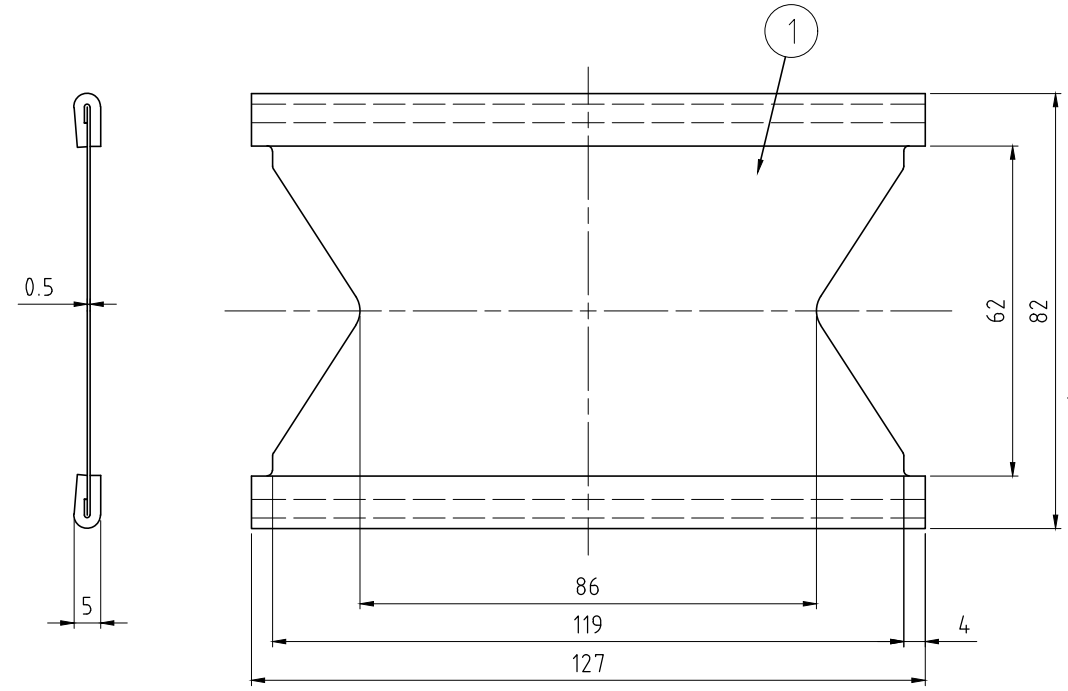
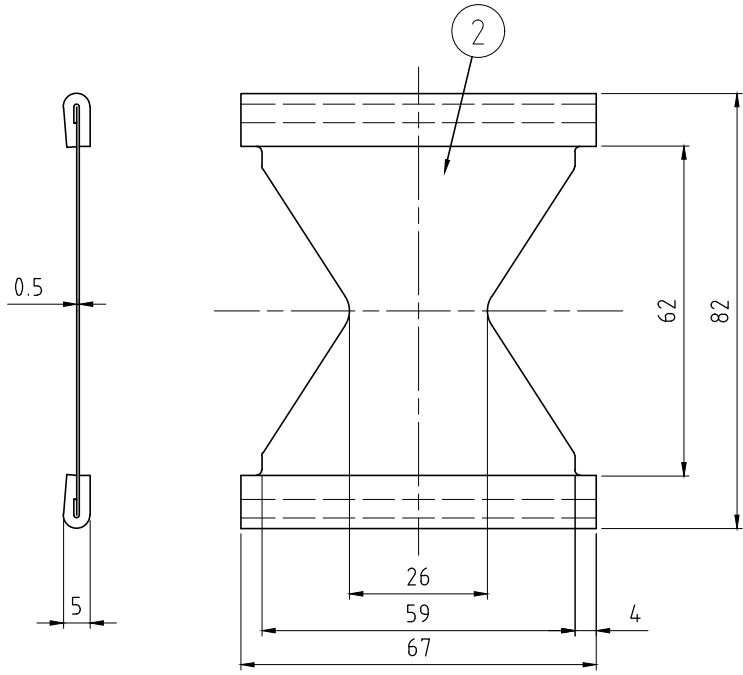
烙克赛克保留所有权利。未经授权严禁复制，
使用以及向第三方泄漏。

All rights reserved. Unauthorized reproduction, use
or disclosure to third parties is strictly forbidden.

Rev 2.0

MATERIAL ACIDPROOF STAINLESS STEEL

MATERIAL HOT DIP GALVANIZED STEEL



E	GENERAL UPDATE.	2019-04-01	se-jenboh
Rev	Type of revision	Date	Sign

2	-	STAYPLATE 60																			
1	-	STAYPLATE 120																			
Item	Qty	Designation	Specification										Net Weight								
General Tolerances used for manufacturing shown in document DOC-00280		Designed by	Created Date	Latest save date	Format	Scale	Sheet no	Total Weight													
		se-joahel	2003-11-03	2019-04-01	A3	1:1		-													
		Title		Projection method																	
		STAYPLATE																			
		www.roxtec.com		Restricted due to																	
		Information drawing		Drawing number																	
				S1005548																	
				Rev																	
				E																	

Information drawings show general design and nominal dimensions if not else stated