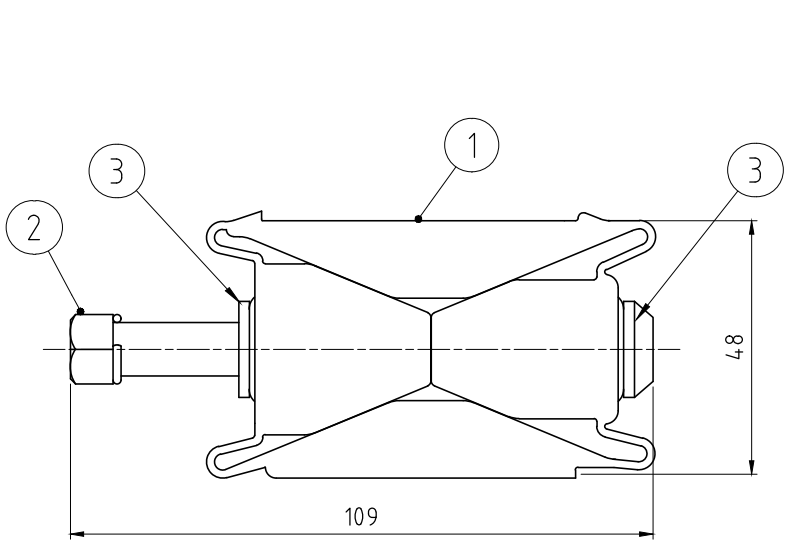


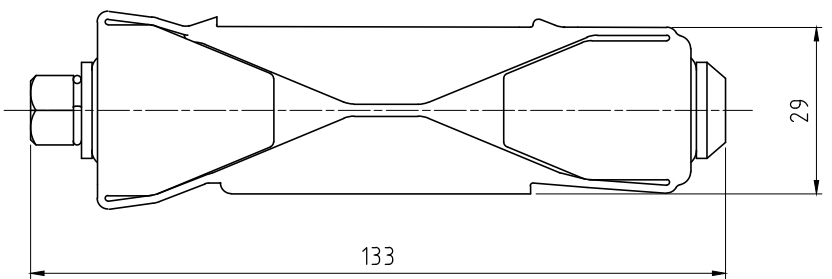
烙克赛克保留所有权利。未经授权严禁复制、使用以及向第三方泄漏。

All rights reserved. Unauthorized reproduction, use or disclosure to third parties is strictly forbidden.

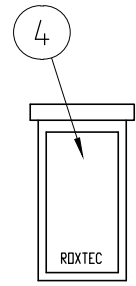
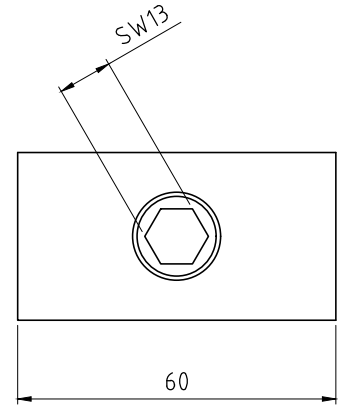
Rev 2.0



COMPRESSED



UNCOMPRESSED



ROXTEC WEDGE COMES IN TWO VERSIONS OF FASTENERS:  
GALVANIZED OR ACID PROOF STAINLESS STEEL

4	1	LUBRICANT	
3	2	FITTINGS	GALV. / ACID PROOF ST. STEEL
2	1	SCREW	GALV. / ACID PROOF ST. STEEL
1	1	WEDGE RUBBER	ROXYLON

Item	Qty	Designation	Specification	Net Weight
General tolerances used for manufacturing shown in document DOC-99280		Designed by	Created Date	Latest save date
		se-joahel	2003-11-03	2024-01-22
		Format	Scale	Sheet no
		A3	1:1	
		Title		Projection method
		ROXTEC WEDGE		1st angle
		WEDGE 60		
		Restricted due to		Rev
		Information drawing		D
		Drawing number		
		S1005547		

D		2024-01-22	se-parham
Rev	Type of revision	Date	Sign

Information drawings show general design and nominal dimensions if not else stated