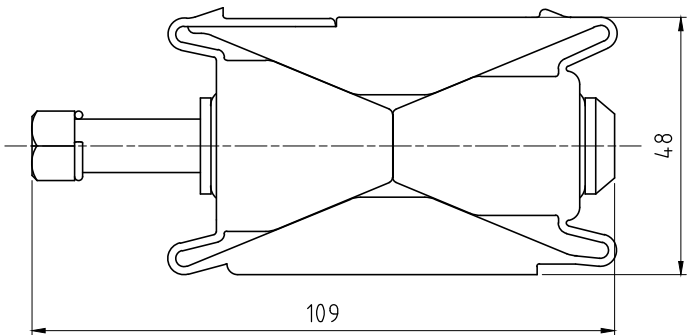


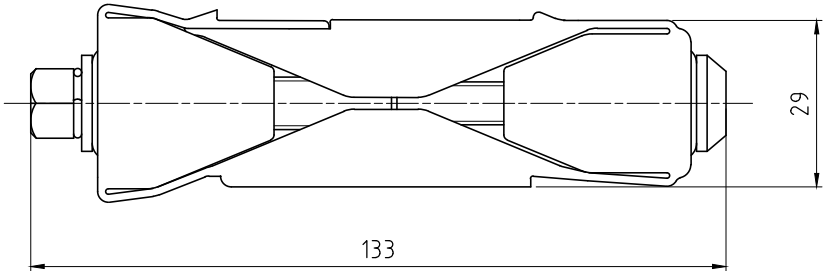
烙克赛克保留所有权利。未经授权严禁复制，使用以及向第三方泄漏。

All rights reserved. Unauthorized reproduction, use or disclosure to third parties is strictly forbidden.

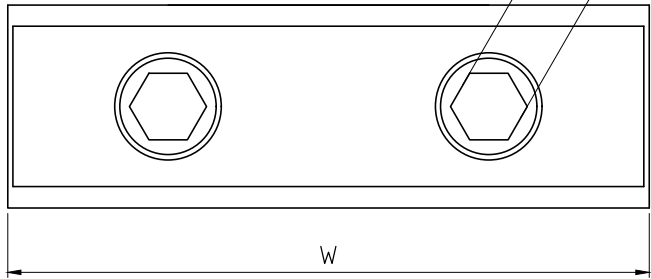
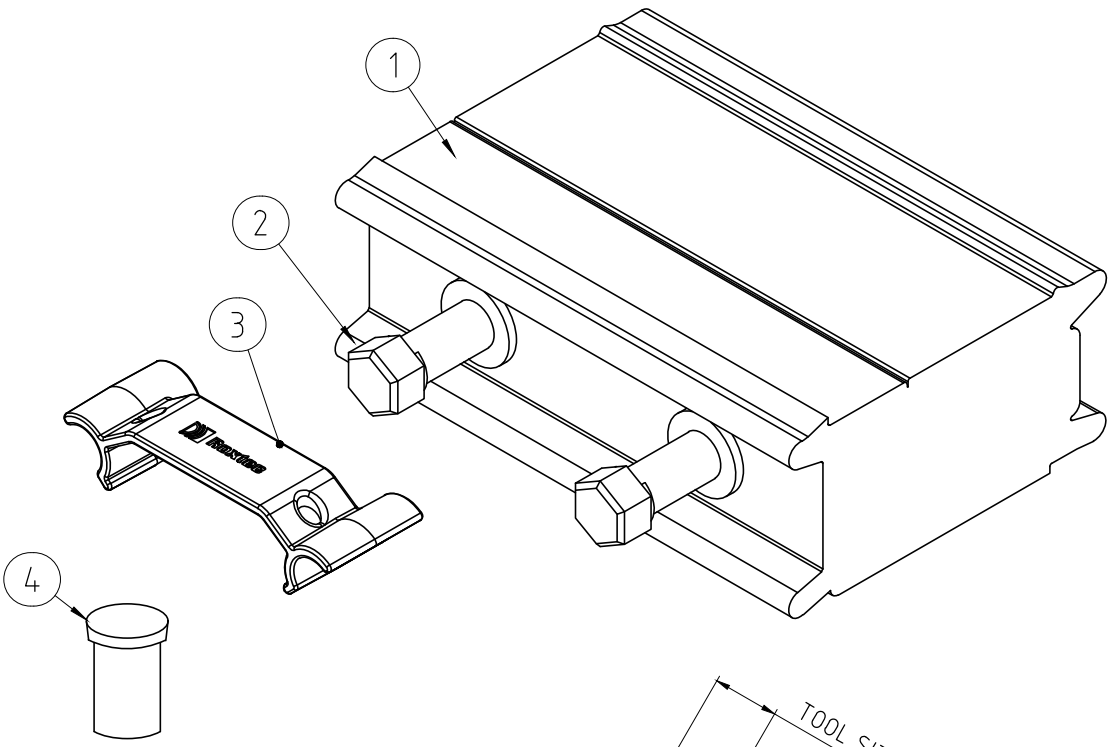
Rev 3.1



COMPRESSED



UNCOMPRESSED



TOOL SIZE 13MM



TYPE	W	N
WEDGE 80	80	1
WEDGE 120	120	2

AVAILABLE WITH ACID PROOF STAINLESS STEEL FITTINGS OR GALVANIZED FITTINGS.

Item	Qty	Designation	Specification	Net Weight
4	N	ROXTEC LUBRICANT		
2	1	WEDGE CLIP	PLASTIC	
2	2	SCREW	ACID PROOF ST. STEEL / GALVANIZED	
1	1	ROXTEC WEDGE BODY	ROYYLON	

General tolerances used for manufacturing shown in document DOC-91280		Designed by se-joahel	Created Date 2003-11-03	Latest save date 2024-01-30	Format A3	Scale 1:1	Sheet no	Net Weight -
 www.roxtec.com		Title ROXTEC WEDGE WEDGE 80 / 120			Drawing number S1005546		Projection method 	
		Restricted due to Information drawing			Rev G			

Rev	Type of revision	Date	Sign
G	WEDGE 80 ADDED	2024-01-30	se-jenboh

Information drawings show general design and nominal dimensions if not else stated