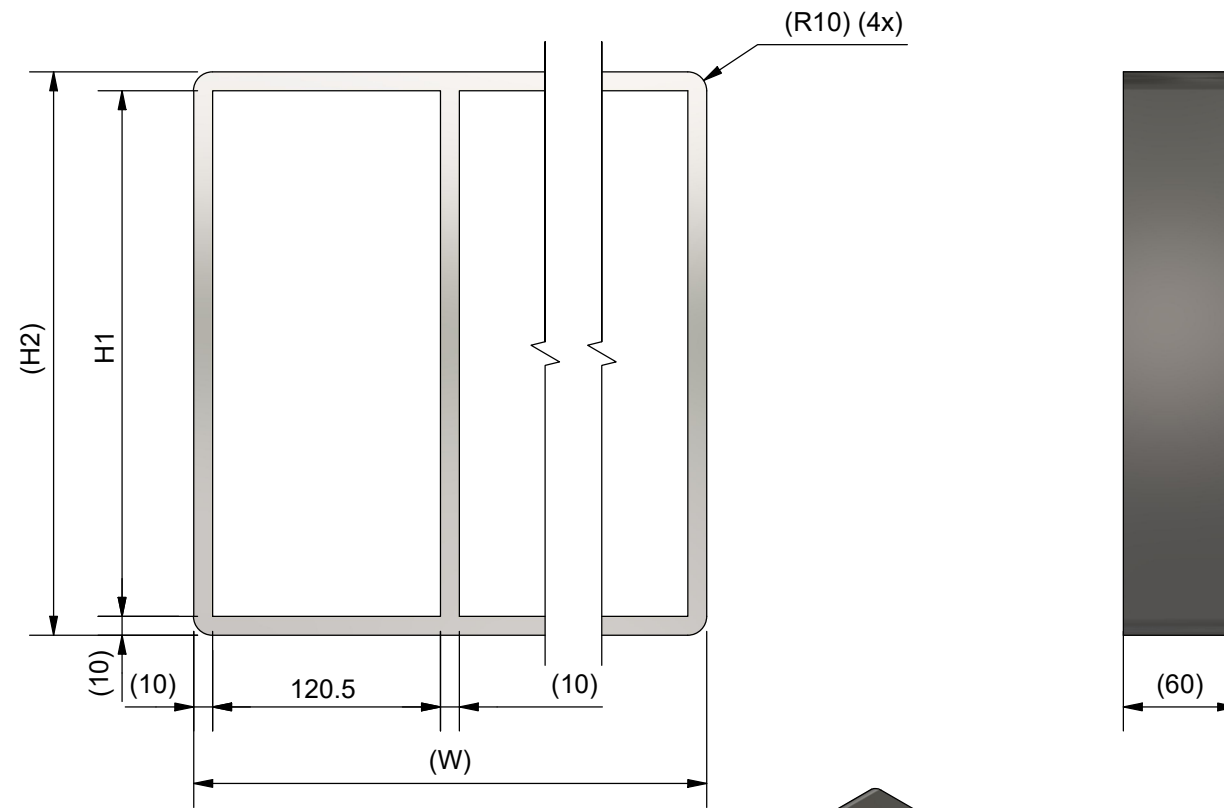


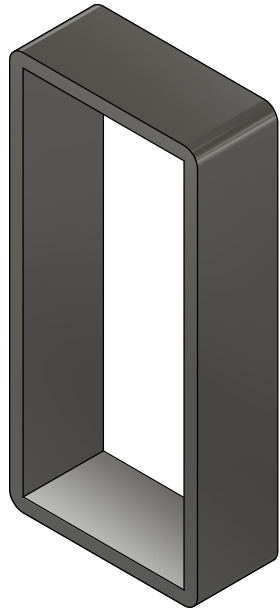
TYPE	H1 [mm]	H2 [mm]
S 2xN	101	121
S 4xN	159.5	179.5
S 6xN	218	238
S 8xN	278	298

N	W [mm]
x1	140.5
x2	271
x3	401.5
x4	532
x5	662.5
x6	793
x7	923.5
x8	1054
x9	1184.5
x10	1315

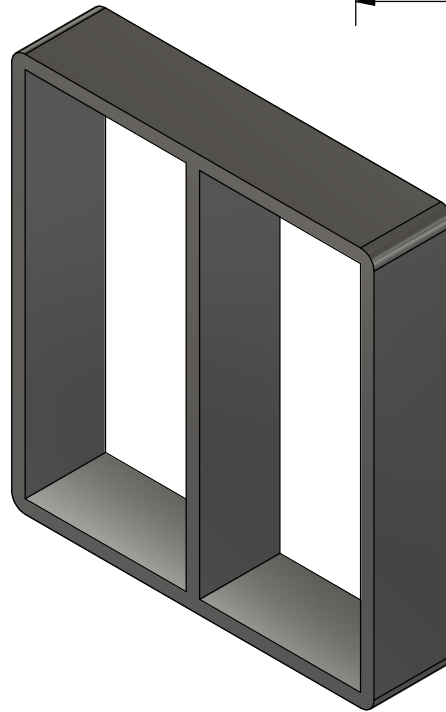
N: NUMBER OF FRAME OPENINGS



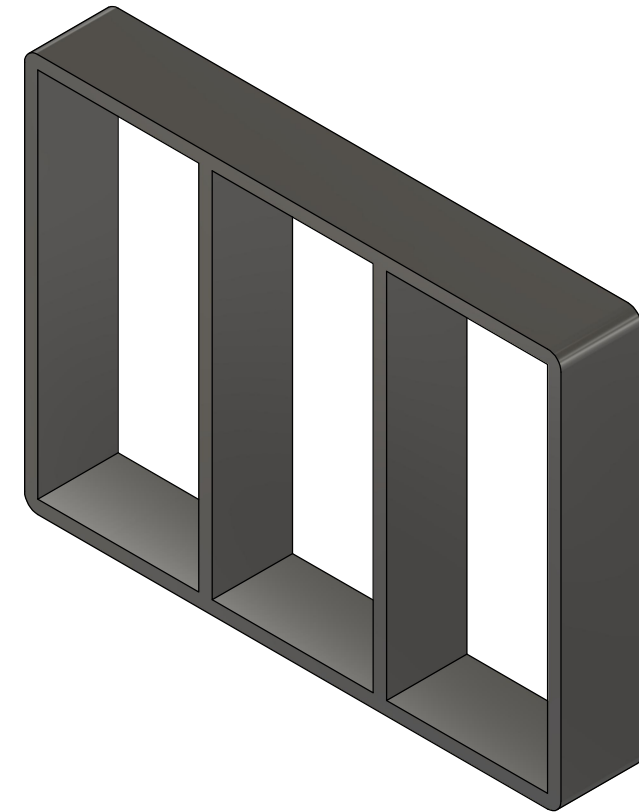
S 8x1
N=1




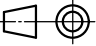
S 8x2
N=2



S 8x3
N=3



Rev	Type of revision	Date	Sign
D	DEFINITION OF N CLARIFIED	2024-11-07	se-marfre

General tolerances used for manufacturing shown in document DOC-002180		Designed by/date se-joahel 2003-11-03	Latest save date 2024-11-07	Format A3	Scale	Sheet no 1 / 1	TotWeight
 www.roxtec.com		Title S FRAME SINGLE AND COMBINATION FRAME				Projection method 	
		Restricted due to Information drawing			Drawing number S1005518		Rev D