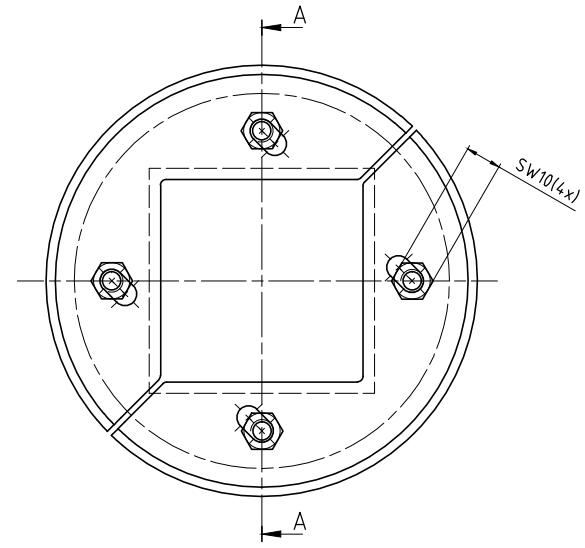
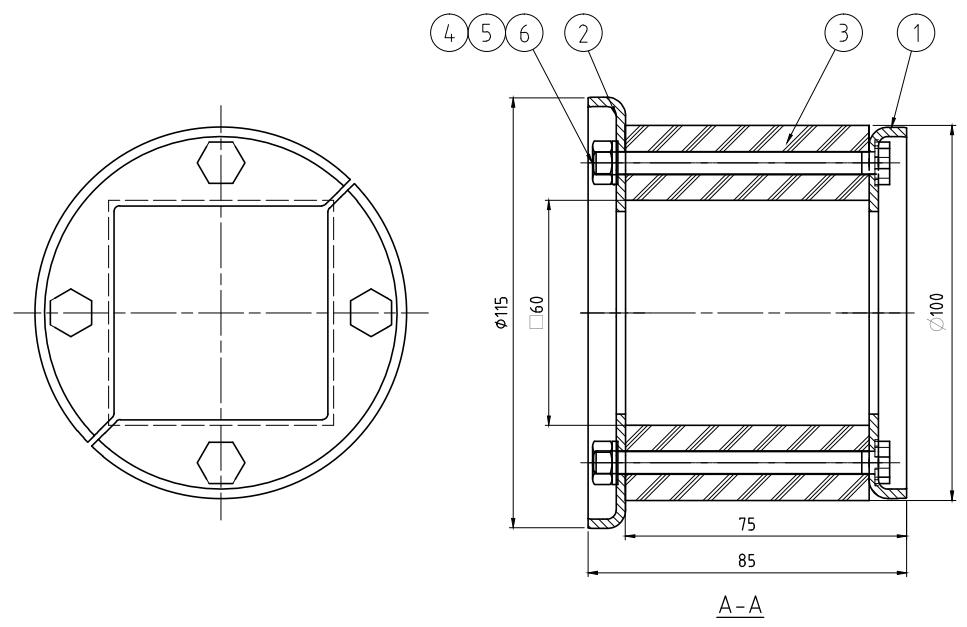
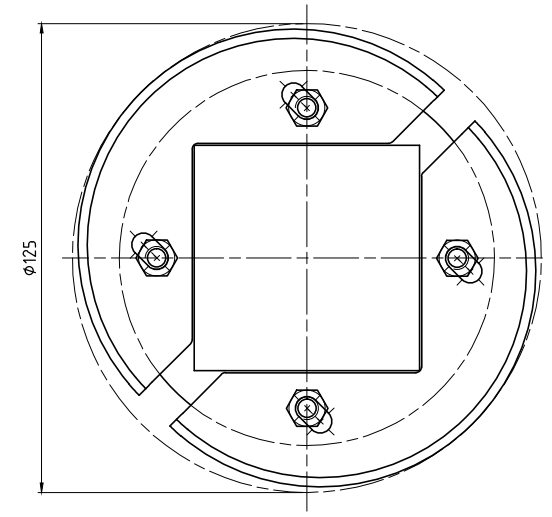
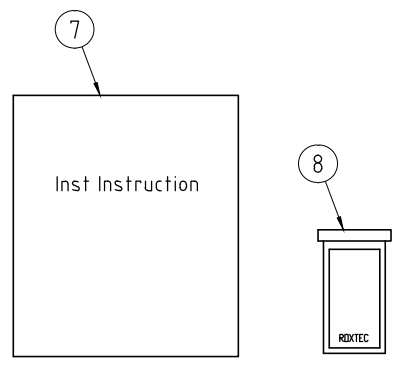


熔克赛克保留所有权利。未经授权严禁复制，使用以及向第三方泄露。

All rights reserved. Unauthorized reproduction, use or disclosure to third parties is strictly forbidden.



NOTE:
GALVANIZED FITTINGS ARE POWDER COATED BLACK



Item	Qty	Designation	Specification	Net Weight
8	1	LUBRICANT	TALLOW 10 ml	-
7	1	INSTALLATION INSTRUCTION		-
6	4	WASHER	DACROLIT/A4	-
5	4	NUT	DACROLIT/A4	-
4	4	SCREW	DACROLIT/A4	-
3	1	RUBBER FRAME	ROXYLON	-
2	2	FRONT FITTING	GALV / ACID PROOF ST. STEEL	-
1	2	REAR FITTING	GALV / ACID PROOF ST. STEEL	-

Item	Qty	Designation	Specification	Net Weight
General reference		Designed by		Projection method
EN ISO 10012-1:2010		Rc service		
Material details		Created Date		Sheet no
EN ISO 10012-2:2010		2003-10-30		
General surface		First save date		Scale
EN ISO 10012-3:2010		2017-05-31		
EN ISO 10012-4:2010		Formal		1:1
		AZ		
		Title		Drawing number
		R FRAMES		
		R 100		Rev
		Restricted due to		
		Information drawing		S1005512
		www.roxtec.com		C

C	PARTSLIST UPDATED	2017-05-30	se-jenboh
Rev	Type of revision	Date	Sign