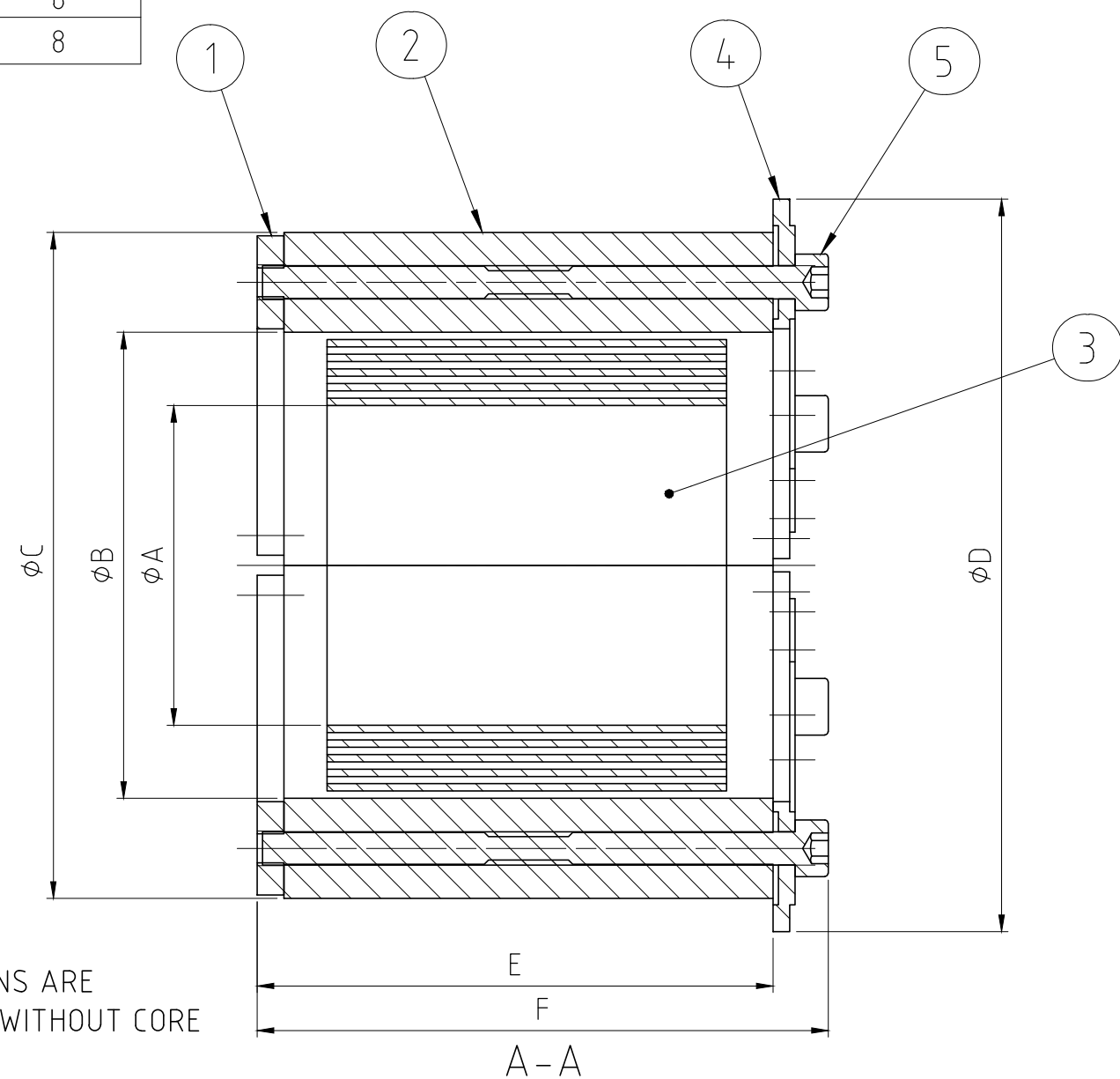
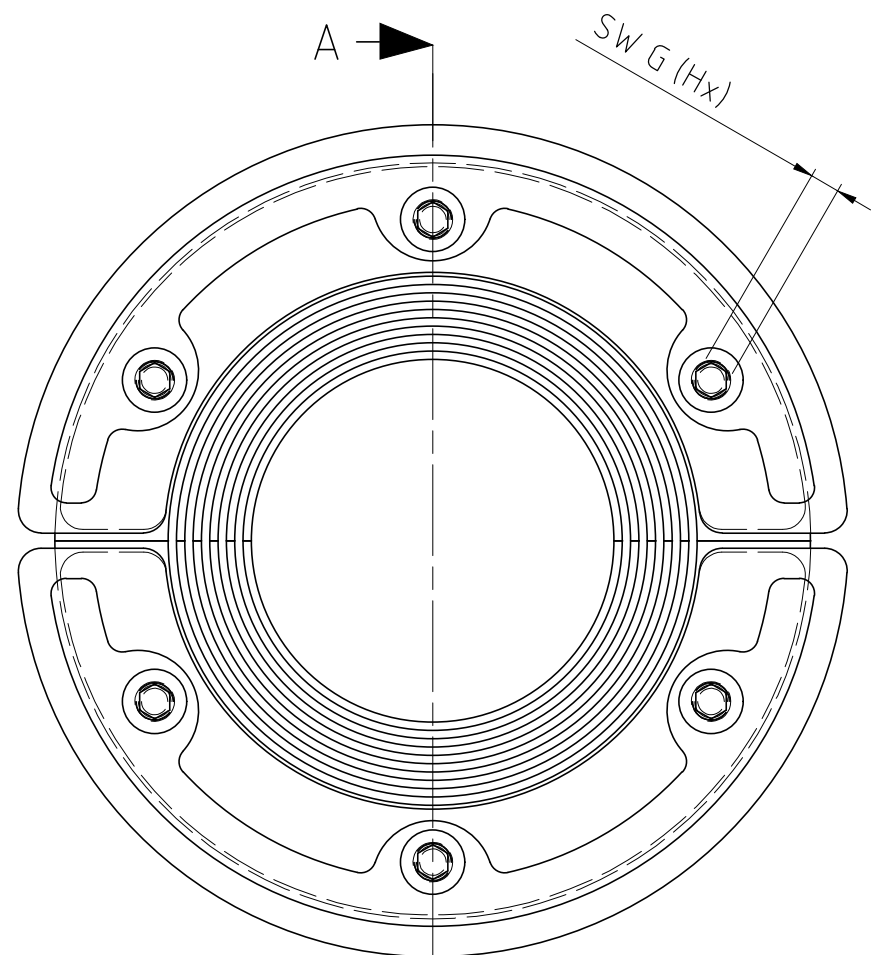


烙克囊克保留所有权利。未经授权严禁复制，使用以及向第三方泄漏。

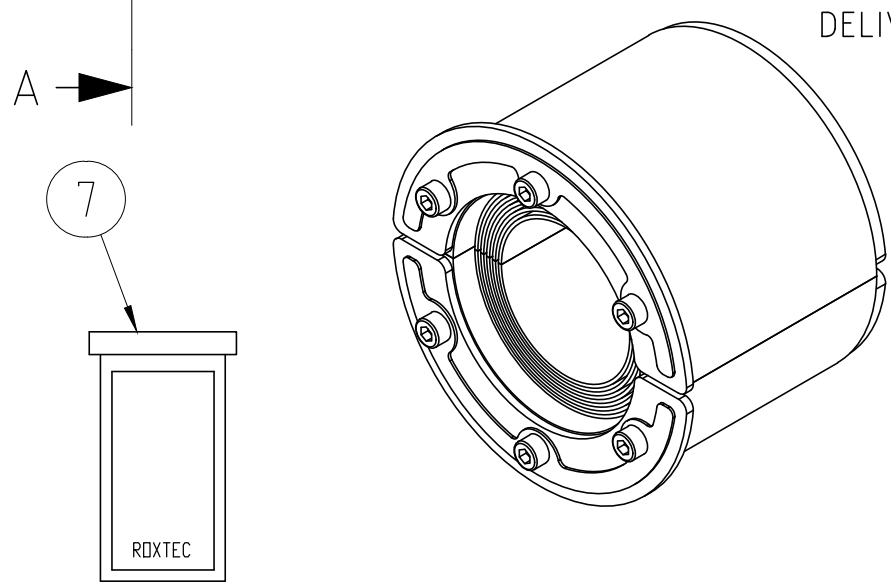
All rights reserved. Unauthorized reproduction, use or disclosure to third parties is strictly forbidden.

TYPE	A	B	C	D	E	F	G	H (QTY.)
RS 100	48	70	100	110	78	86	4	6
RS 100 WOC	48	70	100	110	78	86	4	6
RS 125	66	98	125	145	79	88	5	6
RS 125 WOC	66	98	125	145	79	88	5	6
RS 150 WOC	93	119	150	170	79	88	5	8



NOTE:
WOC VRSIONS ARE
DELIVERED WITHOUT CORE

6
Inst Instruction



Item	Qty	Designation	Specification	Net Weight
7	1	LUBRICANT	25 ml	-
6	1	INSTALLATION INSTRUCTION	-	-
5	H	SCREW	DIN 912 MC6S A4	-
4	2	FRONT FITTING	ACID PROOF STAINLESS STEEL	-
3	1	CORE	ROXYLON	-
2	2	RUBBER FRAME	ROXYLON	-
1	2	REAR FITTING	ACID PROOF STAINLESS STEEL	-

General tolerances used for manufacturing shown in document DOC-002180		Designed by se-joahel	Created Date 2003-10-30	Latest save date 2021-11-11	Format A3	Scale 1:1	Sheet no	Total Weight -
 www.roxtec.com		Title RS SEALS RS 100-150			Projection method 		Rev F	
		Restricted due to Information drawing			Drawing number S1005510			

Rev	Type of revision	Date	Sign
F	ALLEN KEY REMOVAL, GENERAL UPD	2021-11-11	se-thokon

Information drawings show general design and nominal dimensions if not else stated

Rev 2.0