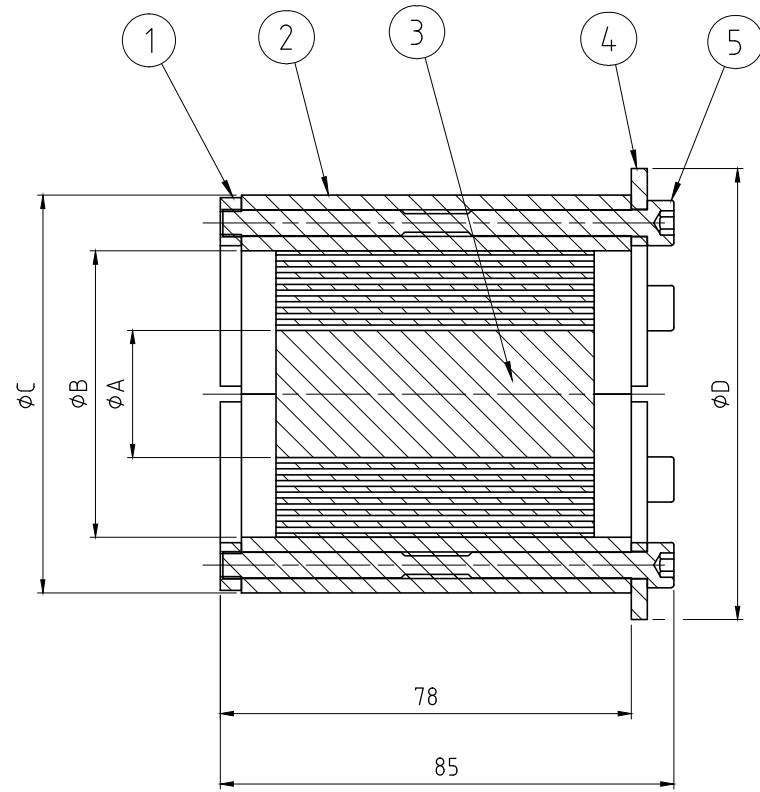
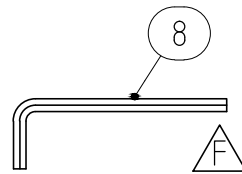
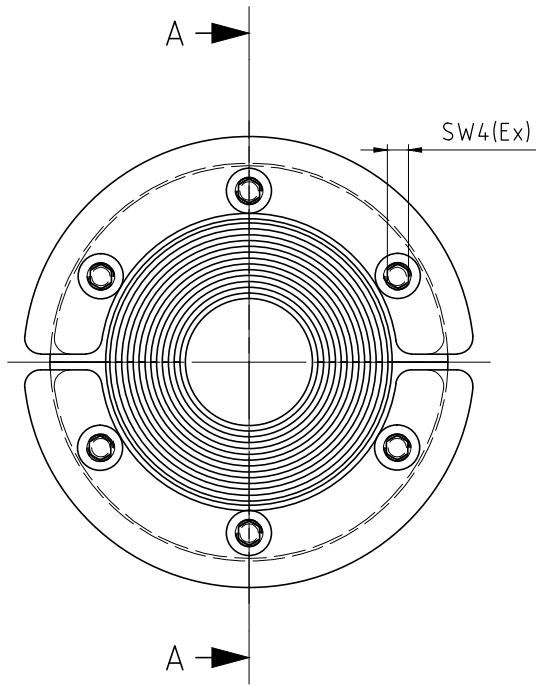


烙克塞克保留所有权利。未经授权严禁复制，  
 使用以及向第三方泄露。

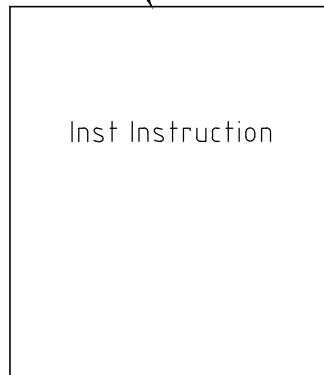
All rights reserved. Unauthorized reproduction, use  
 or disclosure to third parties is strictly forbidden.

TYPE	A	B	C	D	E (Qty)
RS 43	4	23	43	53	4
RS 50	8	30	50	60	4
RS 68	26	48	68	78	4
RS 75	24	54	75	85	6

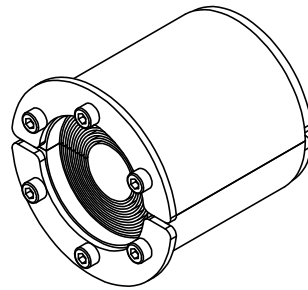
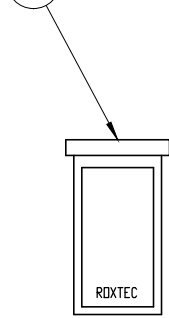


A-A


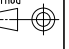
6



7



Item	Qty	Designation	Specification	Net Weight
8	1	ALLEN KEY		-
7	1	LUBRICANT	10 ml	-
6	1	INSTALLATION INSTRUCTION	-	-
5	E	SCREW	DIN 912 MC6S A4	-
4	2	FRONT FITTING	ACID PROOF STAINLESS STEEL	-
3	1	CORE	ROXYLON	-
2	2	RUBBER FRAME	ROXYLON	-
1	2	REAR FITTING	ACID PROOF STAINLESS STEEL	-

General Tolerance		Welded details		General surface roughness, Ra		Designed by		Created Date		Latest save date		Format		Scale		Sheet no		TotWeight	
ISO 2768-1/2-m/K		EN ISO 5817-B		EN ISO 10042-B		tc_service		2003-10-30		2016-04-29		A3		1:1				-	
 <b>Roxtec</b> www.roxtec.com Title: RS SEAL RS 43-75 Restricted due to: Information drawing Drawing number: S1005509 Projection method:  Rev: F																			

Rev	Type of revision	Date	Sign
F	ALLEN KEY ADDED	2016-04-29	se-jenboh