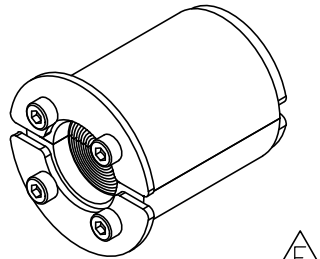
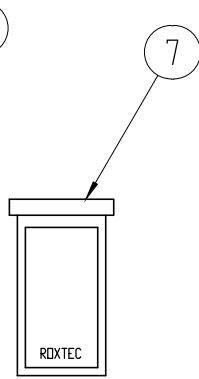
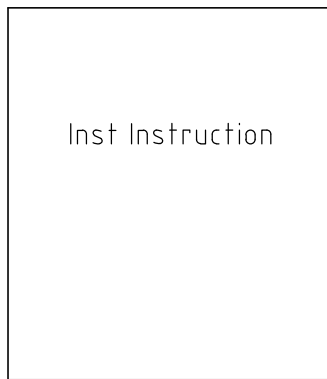
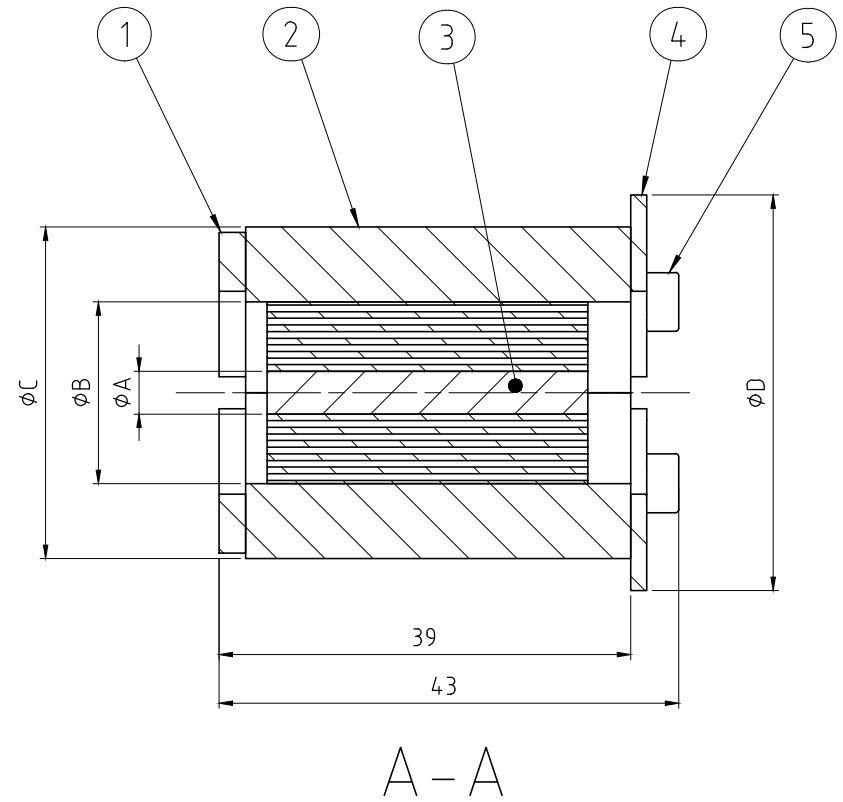
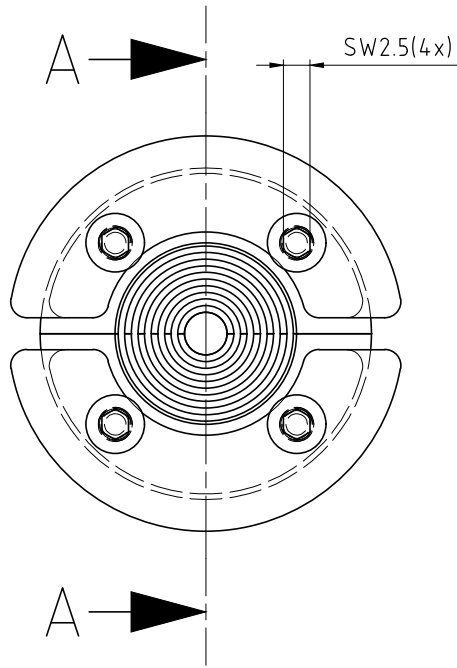


格克赛克保留所有权利。未经授权严禁复制、使用以及向第三方泄露。

All rights reserved. Unauthorized reproduction, use or disclosure to third parties is strictly forbidden.

TYPE	A	B	C	D
RS 25	3.6	12	25	32
RS 31	4	17	31	37



7	1	LUBRICANT	10 ml	-
6	1	INSTALLATION INSTRUCTION	-	-
5	4	SCREW	DIN 912 MC6S A4	-
4	2	FRONT FITTING	ACID PROOF STAINLESS STEEL	-
3	1	CORE	ROXYLON	-
2	2	RUBBER FRAME	ROXYLON	-
1	2	REAR FITTING	ACID PROOF STAINLESS STEEL	-

Item	Qty	Designation	Specification	Net Weight
General tolerances used for manufacturing shown in document DOC-91280				
Designed by		Created Date	Latest save date	Format
se-joahel		2003-10-30	2021-11-11	Scale
				Sheet no
				A3
		Title		Projection method
		RS SEALS		
		RS 25-31		
		Restricted due to		Rev
		Information drawing		E
		Drawing number		
		S1005507		

E	ALLEN KEY REMOVAL, GENERAL UPD	2021-11-11	se-thokon
Rev	Type of revision	Date	Sign

