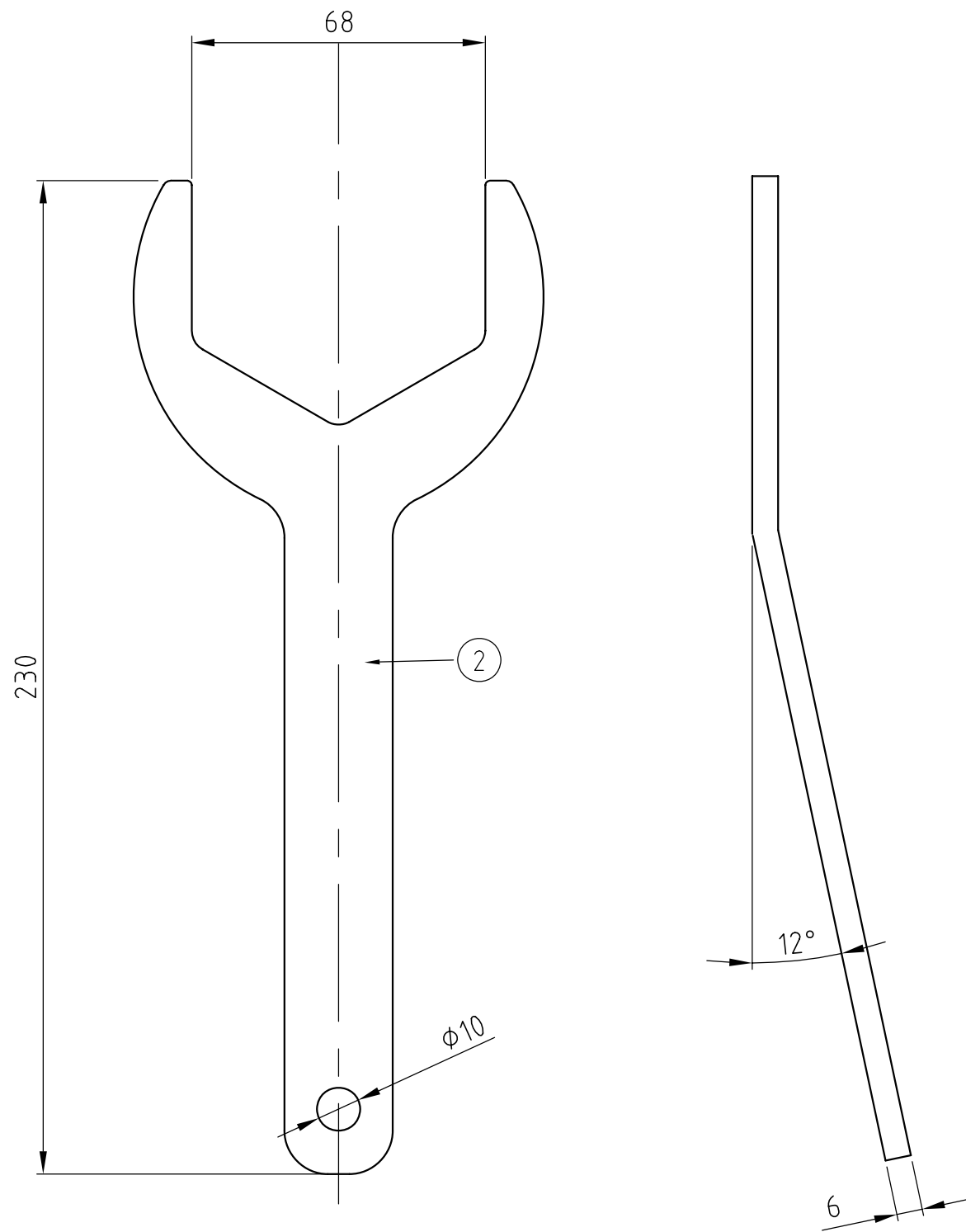
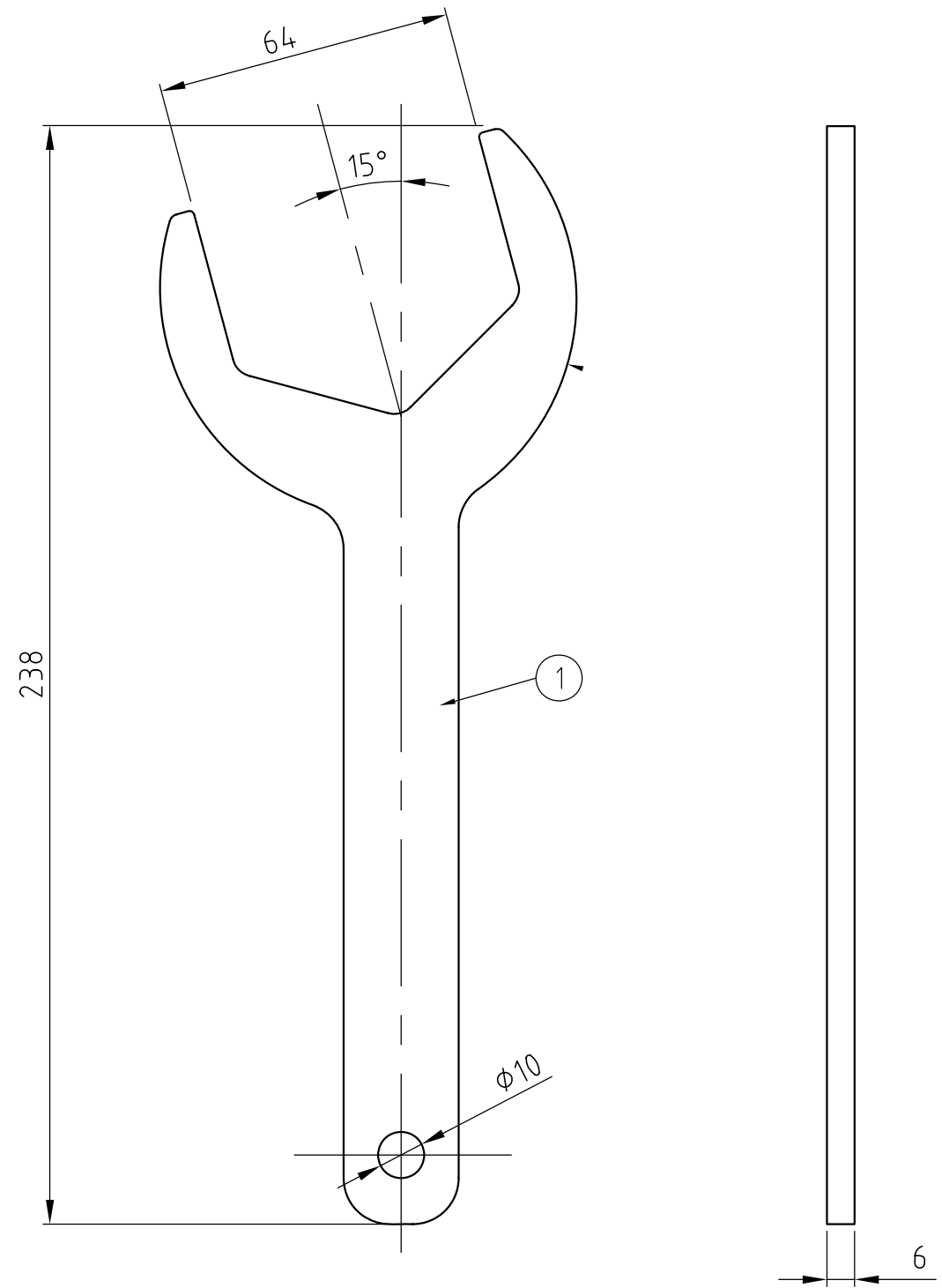


We reserve all rights in this document and in the information contained herein. Reproduction, use or alterations without the written permission of ROXTEC INTERNATIONAL AB is strictly forbidden.



TOOL 68MM



TOOL 64MM

SHARP EDGES BROKEN.

SURFACE TREATMENT:
ELECTROLYTIC GALVANIZED.

Rev	Type of revision	Date	Sign
-	-	-	-

Item	Qty	Designation	Specification	Net Weight
2	1	PLATE (TOOL 68MM)	SS1312	-
1	1	PLATE (TOOL 64MM)	SS1312	-
ROXTEC INTERNATIONAL AB BOX 540 S-371 23 Karlskrona TEL: +46 455 366700 FAX: +46 455 82012		Designed by C SVENSSON Checked by P TÖRNSTRÖM Approved by P TÖRNSTRÖM Restricted due to INFORMATION DRAWING	Date 2003-09-12 Format A2 Scale 1:1 Drawing number S1005271	General tolerance ISO 2768-M Welded details SS-EN 30 817 General surface roughness, Ra - Projection method 1st angle Rev -

