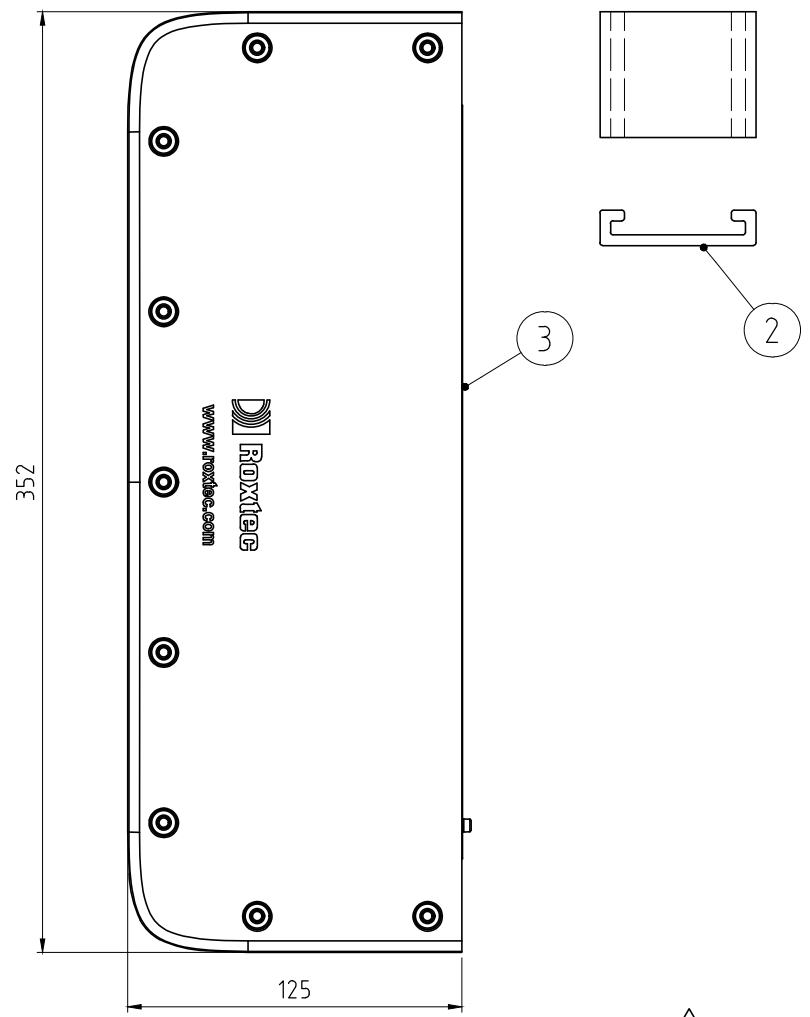
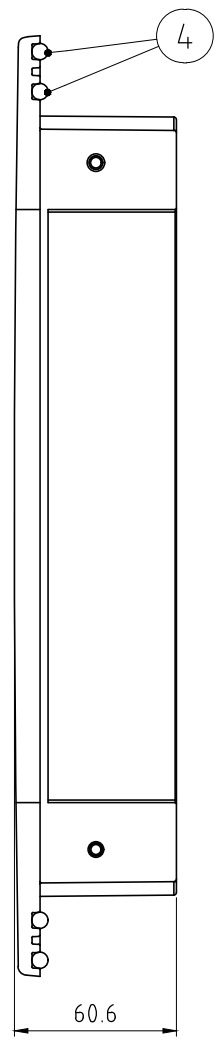
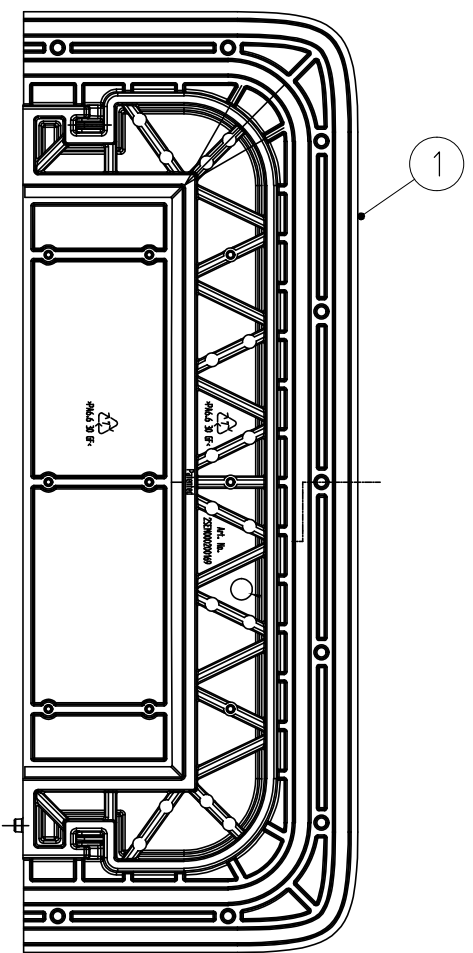



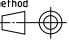
烙克赛克保留所有权利。未经授权严禁复制、使用以及向第三方泄露。

All rights reserved. Unauthorized reproduction, use or disclosure to third parties is strictly forbidden.

Rev 2.0



Rev	Type of revision	Date	Sign
C	GENERAL UPDATE	2022-02-07	se-jenboh

4	2	SEALING STRIP	EPDM	-
3	1	GASKET	PE FOAM	-
2	1	BRACKET	ALUMINIUM	-
1	1	SIDE SECTION	PA 6.6	-
Item	Qty	Designation	Specification	Net Weight
General tolerances used for manufacturing shown in document DOC-91280		Designed by se-stemil	Created Date 2003-08-28	Latest save date 2022-04-01
 <b>Roxtec</b> www.roxtec.com		Title COMPLUS FRAME SIDE SECTION Restricted due to Information drawing		Format A3 Scale 1:2 Sheet no  Projection method 
Drawing number S1005210			Rev C	

Information drawings show general design and nominal dimensions if not else stated