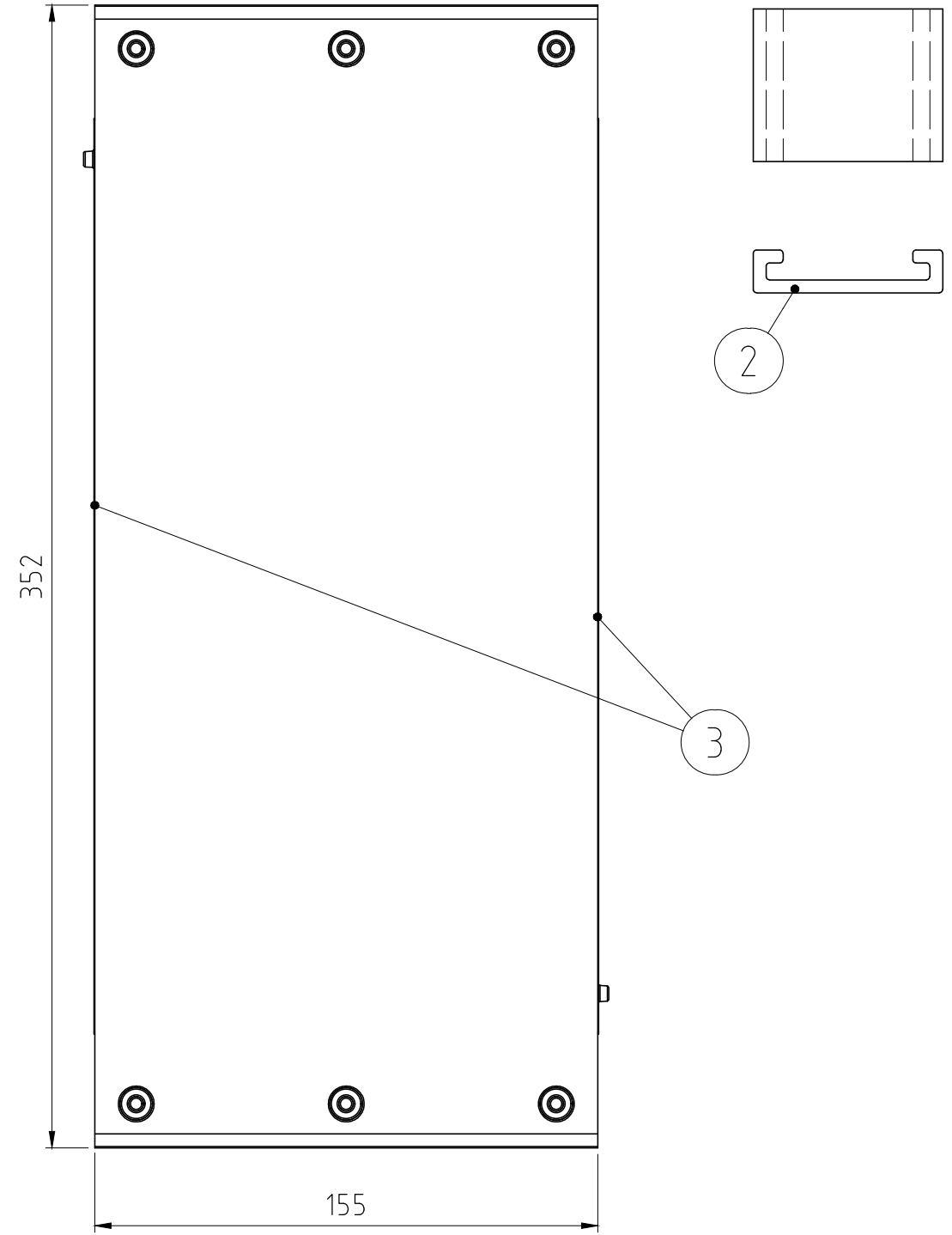
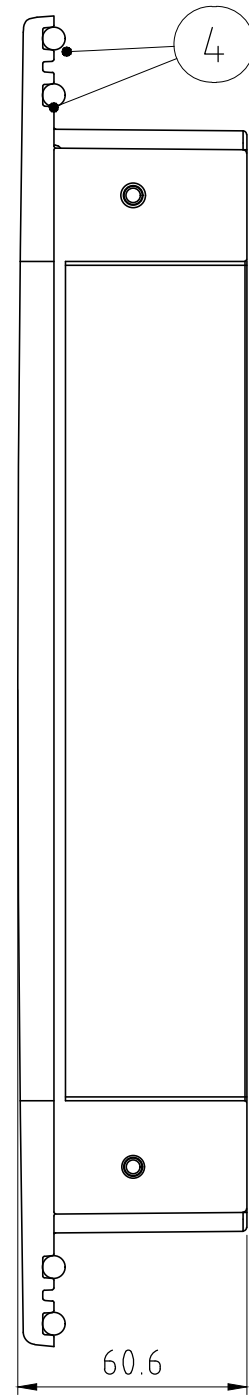
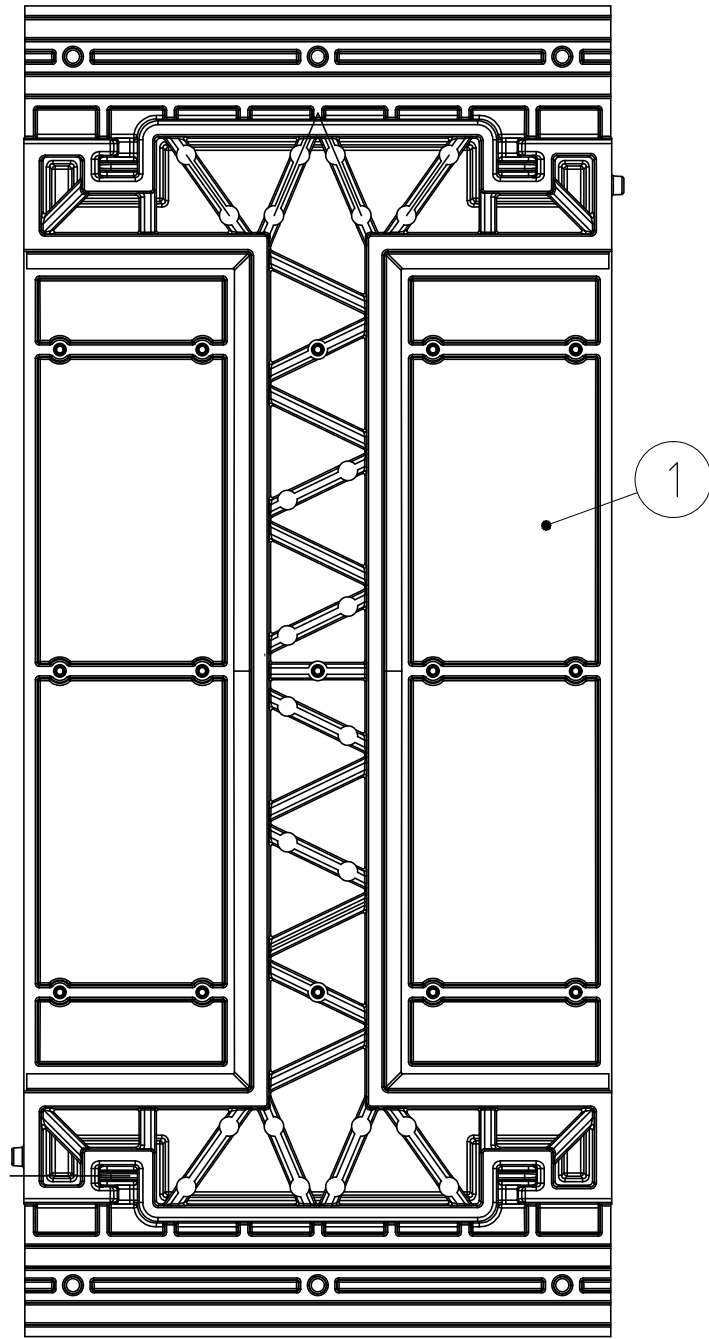

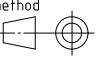


洛克赛克保留所有权利。未经授权严禁复制，使用以及向第三方泄露。

All rights reserved. Unauthorized reproduction, use or disclosure to third parties is strictly forbidden.

Rev 2.0



4	4	SEALING STRIP	EPDM							
3	2	GASKET	PE FOAM							
2	2	BRACKET	ALUMINIUM							
1	1	MID SECTION	PA 6.6							
Item	Qty	Designation	Specification							Net Weight
General tolerances used for manufacturing shown in document DOC-002180				Designed by	Created Date	Latest save date	Format	Scale	Sheet no	Total Weight
				se-stemil	2003-08-28	2022-04-04	A3	1:2		-
 www.roxtec.com				Title						
				COMPLUS FRAME MID SECTION						
Restricted due to				Information drawing				Drawing number	Rev	
								S1005209	B	

Rev	Type of revision	Date	Sign
B	GENERAL UPDATE	2022-02-07	se-jenboh

Information drawings show general design and nominal dimensions if not else stated