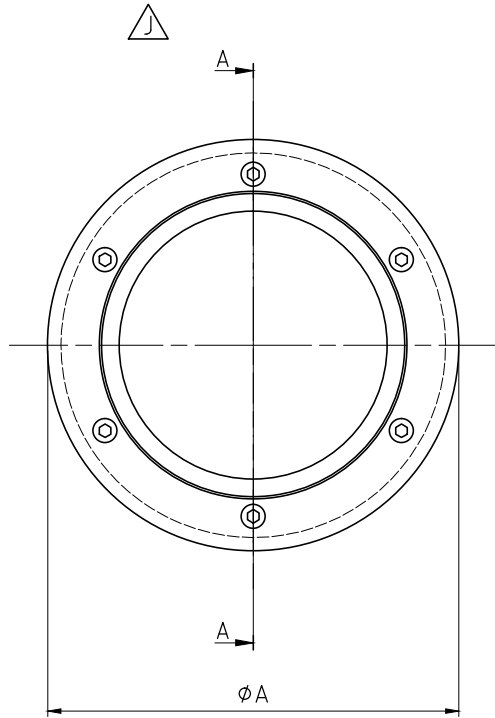


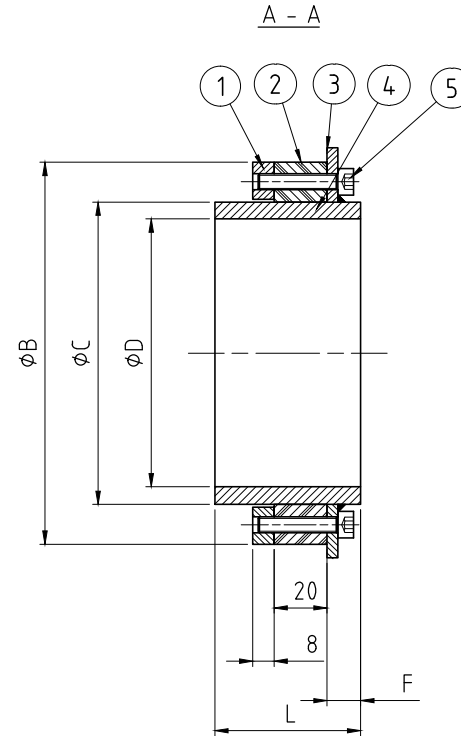
烙克赛克保留所有权利。未经授权严禁复制、使用以及向第三方泄露。

All rights reserved. Unauthorized reproduction, use or disclosure to third parties is strictly forbidden.

SLFRS X								
	A (MM)	B (MM)	C (MM)	D (MM)	F (MM)	L (MM)	N (QTY)	S (SIZE)
SLFRS X 25	76	66	34	26	11	65	4	M5x30
SLFRS X 31	82	72	40	32	11	65	4	M5x30
SLFRS X 43	92	82	52	44	11	65	4	M5x30
SLFRS X 50	100	90	63	51	12	65	4	M5x30
SLFRS X 68	115	105	83	70	12	65	4	M6x30
SLFRS X 75	125	115	89	77	12	65	4	M6x30
SLFRS X 100	155	145	114	101	12	65	6	M6x30
SLFRS X 125	180	170	140	126	12	65	6	M6x30
SLFRS X 150	209	199	164	151	12	65	6	M6x30
SLFRS X 175	230	220	189	176	12	65	8	M6x30
SLFRS X 200	260	250	214	201	12	65	8	M6x30



SLFR X								
	A (MM)	B (MM)	C (MM)	D (MM)	F (MM)	L (MM)	N (QTY)	S (SIZE)
SLFR X 70	123	113	83	72	12	55	4	M5x30
SLFR X 75	125	115	89	77	12	55	4	M5x30
SLFR X 100	155	145	114	101	12	55	6	M5x30
SLFR X 125	180	170	140	126	12	55	6	M5x30
SLFR X 127	180	170	140	128	12	55	6	M6x30
SLFR X 150	209	199	164	151	12	55	6	M6x30
SLFR X 200	260	250	214	201	12	55	8	M6x30



5	N	SCREW	MC6S (S) FZB / A4	-
4	1	SLEEVE	GALVANIZED / AISI316	-
3	1	FLANGE	GALVANIZED / AISI316	-
2	1	COMPRESSION RUBBER	ROXYLON	-
1	1	COMPRESSION RING	GALVANIZED / AISI316	-
Item	Qty	Designation	Specification	Net Weight
ROXTEC INTERNATIONAL AB BOX 540 S-371 23 Karlskrona TEL: +46 455 366700 FAX: +46 455 82012		Designed by se-pertor Checked by M Karlsson Approved by M Karlsson	Date 2003-02-04 Format A3 Scale ASSEMBLY Ø25-Ø200	General tolerance ISO 2768-1 m General surface roughness, Ra -
			Title SLFR X AND SLFRS X ASSEMBLY Ø25-Ø200	Projection method
Restricted due to Information			Drawing number S1004390	Rev J

Rev	Type of revision	Date	Sign
J	SIZES ADDED	2015-05-12	se-jenboh