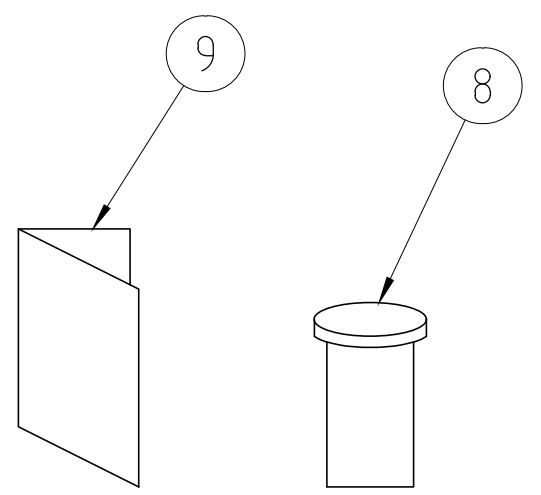
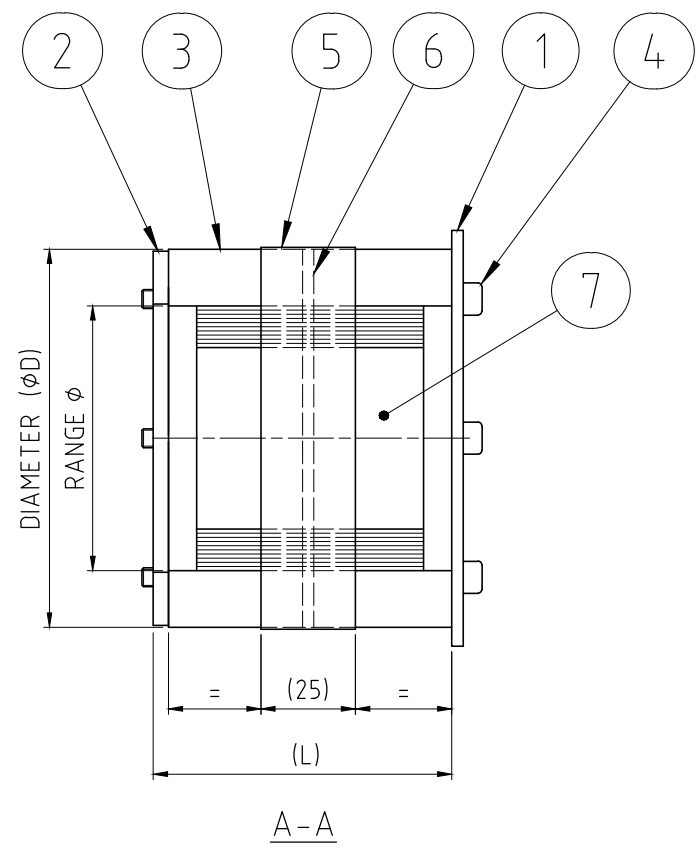
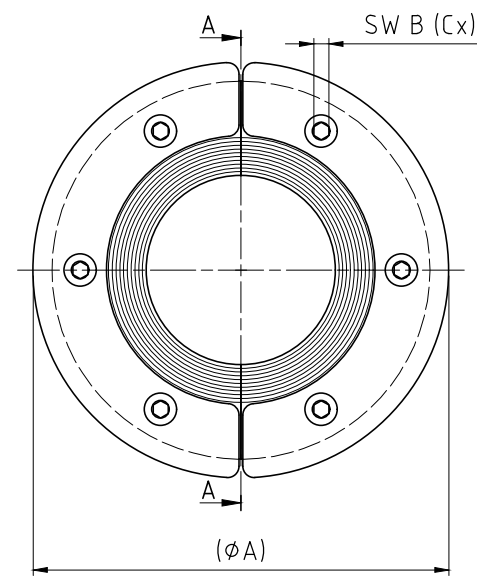


烙克囊克保留所有权利。未经授权严禁复制，使用以及向第三方泄漏。

All rights reserved. Unauthorized reproduction, use or disclosure to third parties is strictly forbidden.

Rev 2.0


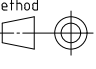
RS ES SEALS								RS ES WOC SEALS (WITHOUT CORE)							
SIZE	A	B	C	D	E	RANGE ϕ	L	SIZE	A	B	C	D	E	RANGE ϕ	L
RS 75 ES	85	4	6	75	1	0+24-54	80	RS 75 ES WOC	85	4	6	75	0	24-54	80
RS 100 ES	100	4	6	100	1	0+48-70	80	RS 100 ES WOC	100	4	6	100	0	48-70	80
RS 125 ES	125	5	6	125	1	0+66-98	82	RS 125 ES WOC	125	5	6	125	0	66-98	82
								RS 150 ES WOC	150	5	8	150	0	93-119	82



NOTE:
The range of the Roxtec Seal indicates the smallest possible diameter of the dismantled cable screen to the largest possible diameter of the cable mantle.



Item	Qty	Designation	Specification	Net Weight
9	1	INSTALLATION INSTRUCTION		
8	1	LUBRICANT	10 ML	
7	E	CORE	ROXYLON	
6	2	CONDUCTIVE RUBBER	EMI BARRIER	
5	2	CONDUCTIVE TAPE	TINPLATED COPPER	
4	C	SCREW	MC6S A4	
3	2	RUBBER FRAME	ROXYLON	
2	2	REAR FITTING	ACID PROOF STAINLESS STEEL	
1	2	FRONT FITTING	ACID PROOF STAINLESS STEEL	

General tolerances used for manufacturing shown in document DOC-002180		Designed by se-pertor	Created Date 2001-11-01	Latest save date 2021-10-18	Format A3	Scale 1:2	Sheet no	Total Weight -
 www.roxtec.com		Title RS ES SEALS RS 75-150 ES			Projection method 		Restricted due to	
		Information drawing			Drawing number S1002972		Rev D	

D	ALLEN KEY TOOL DISCONTINUED.	2021-10-18	se-mikgru
Rev	Type of revision	Date	Sign

Information drawings show general design and nominal dimensions if not else stated